



# LANDSCAPE SCREENS & FENCES

Shade Systems Engineered for Comfort and Endurance

**METAL**  
SPACES  
A division of Viva Railings, LLC.



**VIVA RAILINGS**  
LEADERS IN ARCHITECTURAL RAILING SYSTEMS



# System Overview

 **Engineered laser-cut panel and screen systems for signature facades and complex installations**






 **CSI Division: 07 42200 – Custom Wall Panels**

 **Delivery Model: Turnkey (primary) or supply-only**

A fully integrated wall panel system for facades and feature walls, combining custom design, engineering, fabrication, and optional installation. WallScapes designs are achieved through standard patterns, custom laser-cut solutions



## APPLICATIONS

-  **Exterior Facades:** laser-cut cladding for commercial, hospitality, institutional, and mixed-use projects
-  **Wall Screen Systems:** Parking garages, mechanical wells, rooftop equipment screening
-  **Interior feature walls:** lobbies, atriums, and signature corridors
-  **Storytelling / Branded Environments:** FotoFacade™ for cultural, civic, healthcare, and corporate spaces
-  **Inset / Between-Structure Installs:** Facade screens between floor slabs, steel beams, concrete slabs

## KEY FEATURES

- **True Turnkey Delivery:** Single-source design, engineering, fabrication, and optional installation
- **Unlimited Design Expression:** Standard pattern library, custom laser-cut solutions, and FotoFacade™ image-based panels
- **Material & Finish Range:** Aluminum, Stainless Steel, and Steel options with architectural-grade coatings for long-term performance
- **Engineered Mounting Flexibility:** Field-proven attachment to columns, beams, walls, framing, and between floor slabs
- **Proven Performance:** Engineered systems meeting structural and environmental demands



APPLICATION	DIMENSIONS (IN)	PANEL MATERIAL	FINISH
POST	3 W x 3 H	Pregalvanized Steel 1/8" Thk.	Zinc Rich Primer + Powder Coat Mill Finish (paint by others)
IN-LINE PANELS (BETWEEN POSTS)	44 W x 44 H 44 W x 68 H 44 W x 92 H	Aluminum 1/8" Aluminum 3/16" Aluminum 1/4"	Powder Coat (AAMA 2604) \$ <sup>2</sup> PVDF (AAMA 2605) <sup>1</sup> \$\$
SURFACE PANELS	48 W x 44 H 48 W x 68 H 48 W x 92 H	Stainless Steel 14 Ga	Brushed Satin
		Steel 14 Ga Steel 11 Ga	Zinc Rich Primer + Powder Coat Mill Finish (paint by others)

(1) Available as an Upgrade

(2) \$ to \$\$\$: Indicates finish type comparative cost

### Finish Options

Powder Coat AAMA-2604

Powder Coat AAMA-2605

Brushed Satin

Powder Coat with zinc rich primer, mill

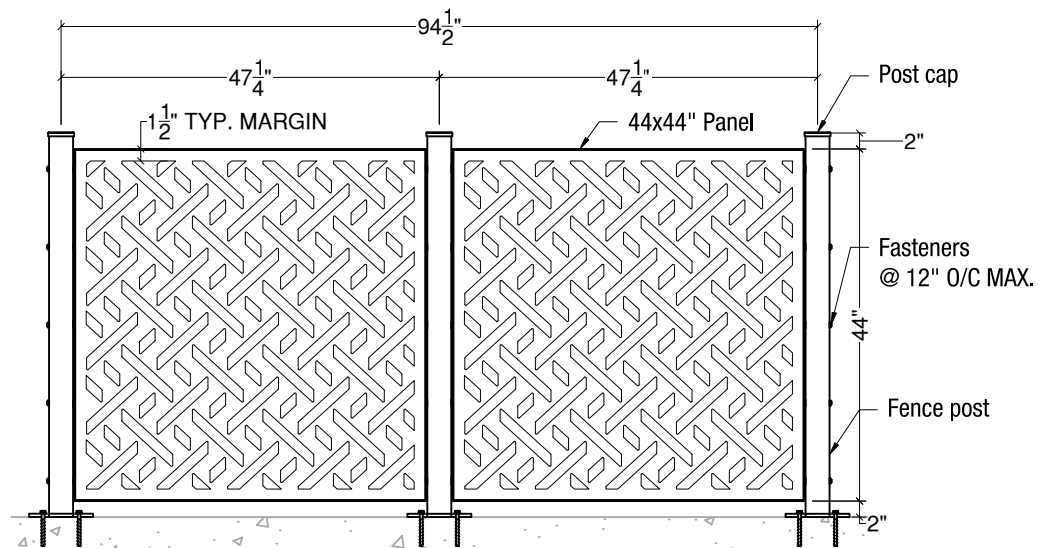
### Material & Properties

#### Aluminum Alloy: 5052-H32 Series

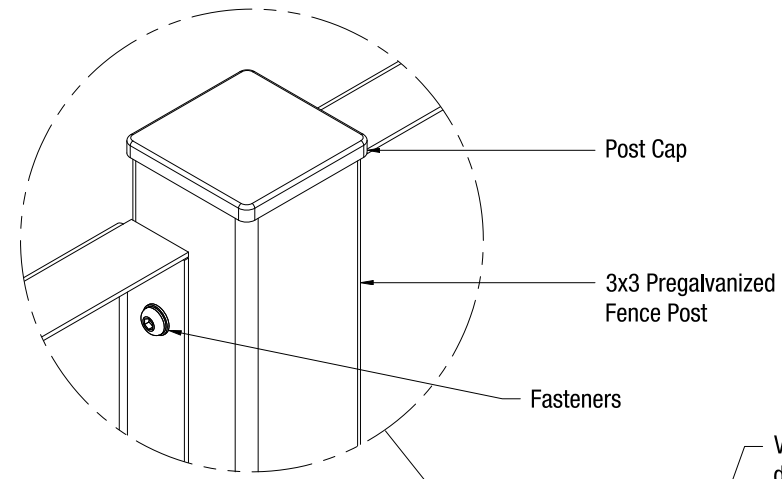
- 100% Recyclable
- Rust Resistance
- Max Panel Size: 4' x 10"



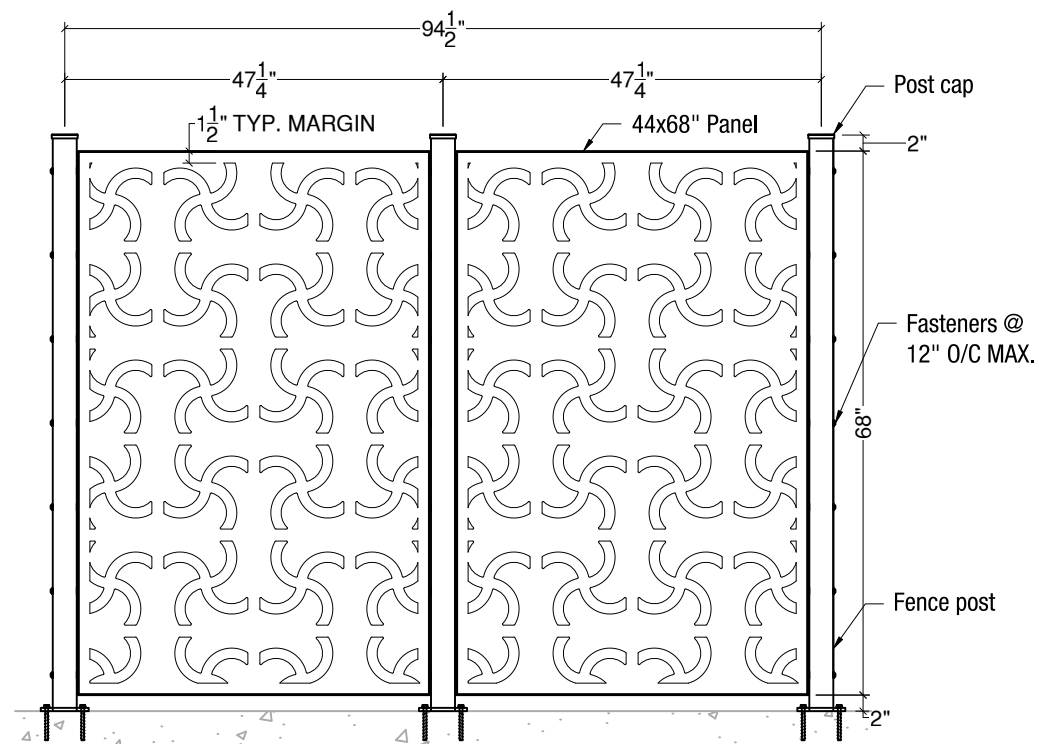
# Inline Panels



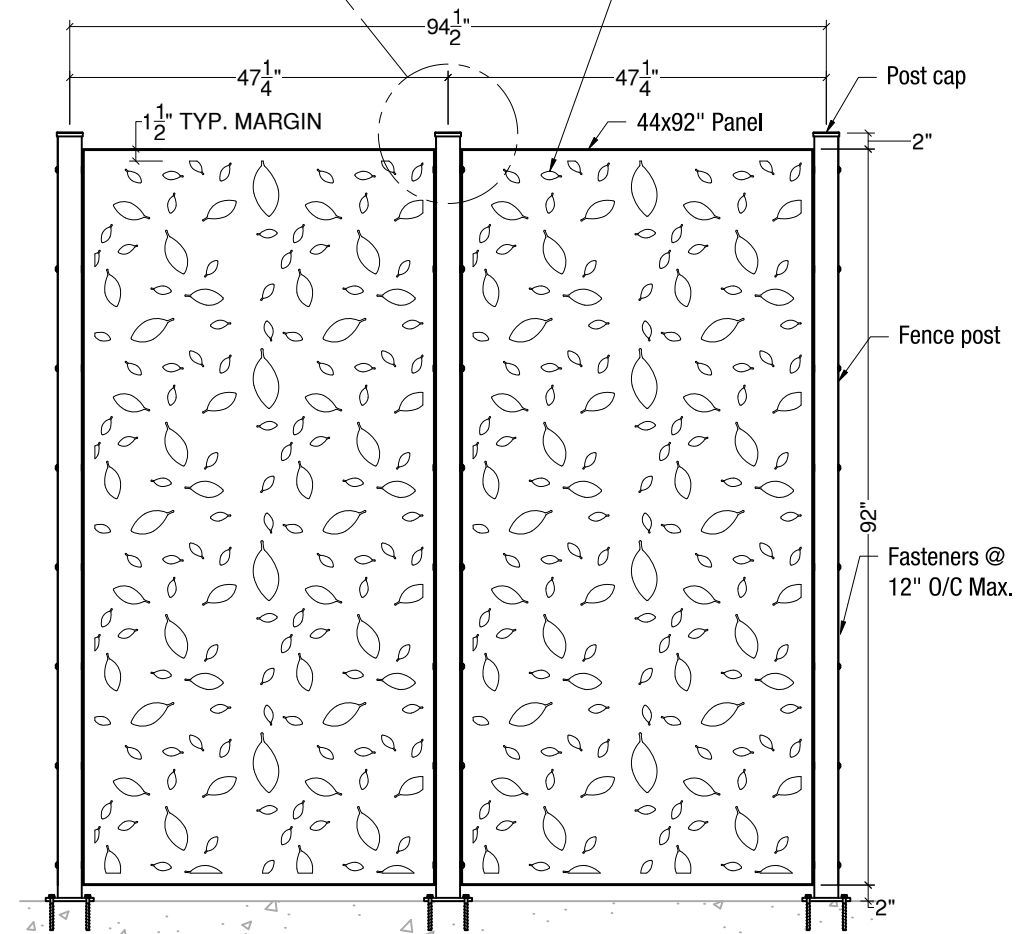
4ft Fence



Visit [VIVARAILINGS.COM](http://VIVARAILINGS.COM) for range of design patterns or provide your custom one.



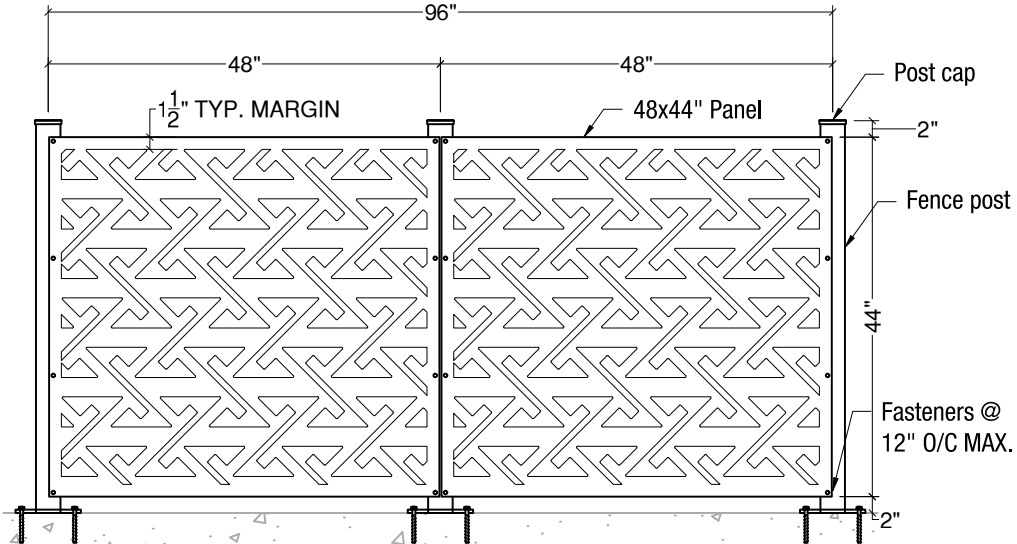
6ft Fence



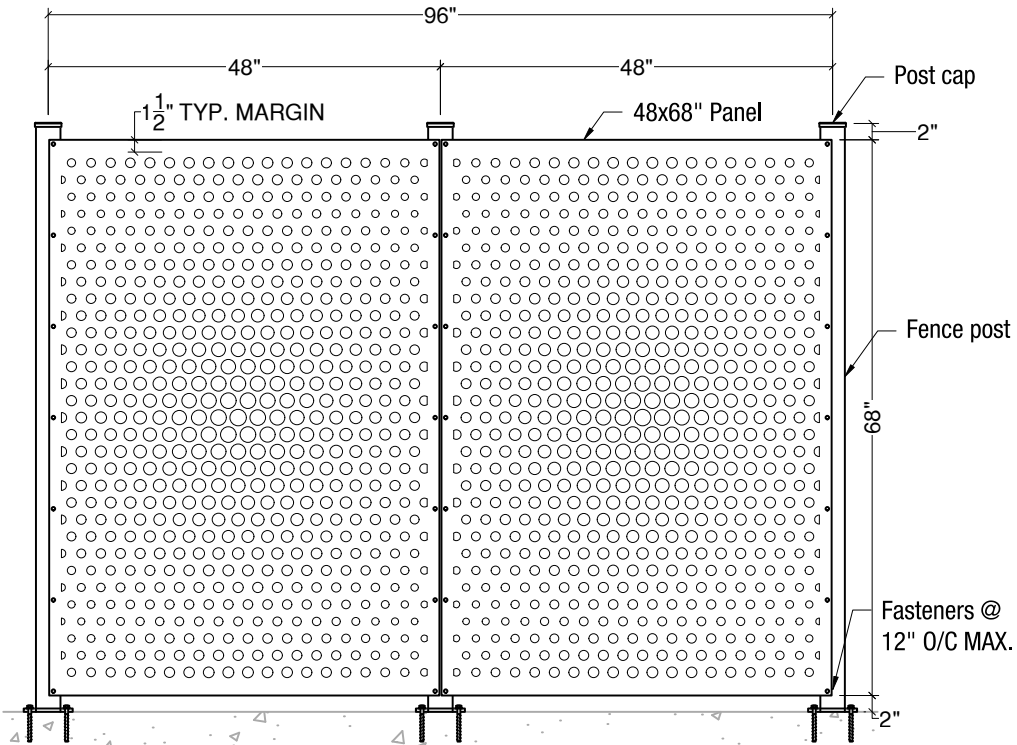
8ft Fence



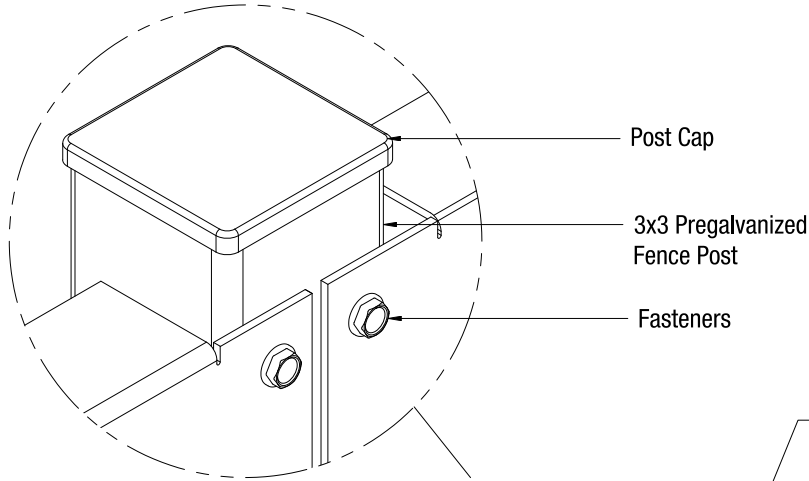
# Surface Panel



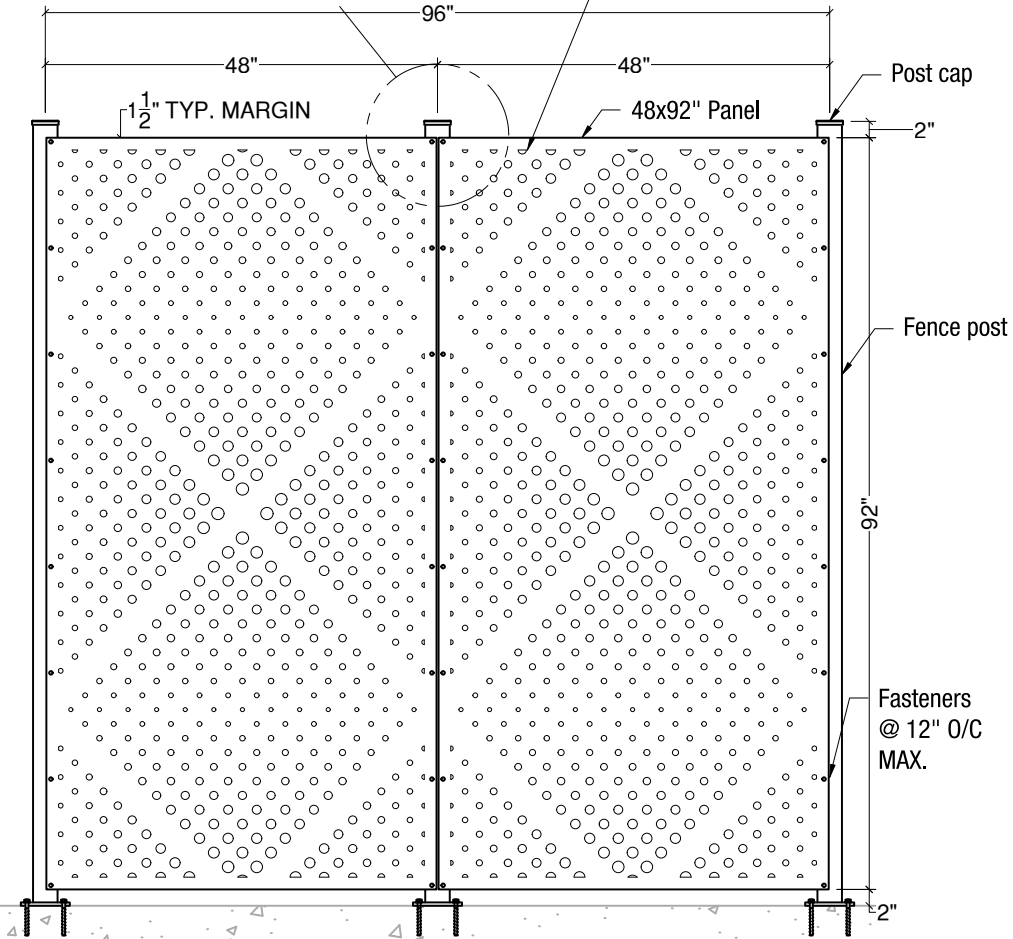
4ft Fence



6ft Fence



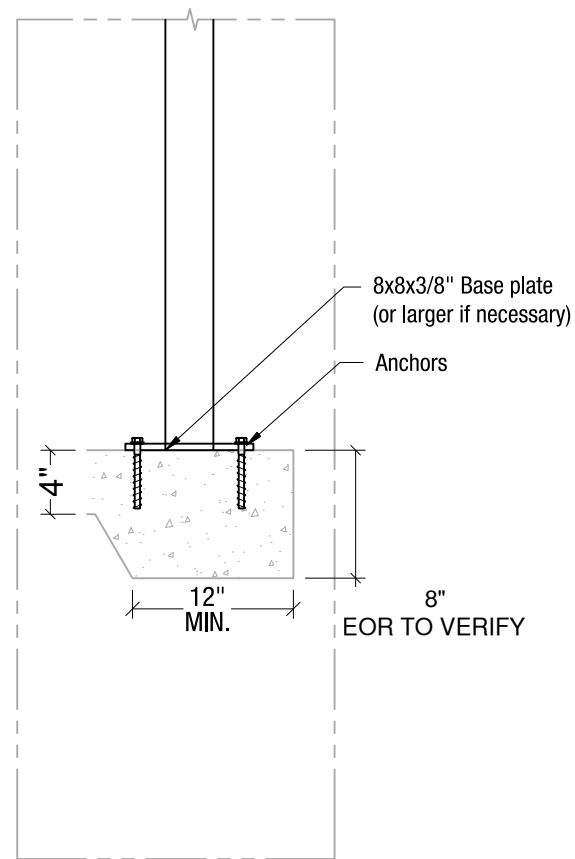
Visit [VIVARAILINGS.COM](http://VIVARAILINGS.COM) for range of design patterns or provide your custom one.



8ft Fence

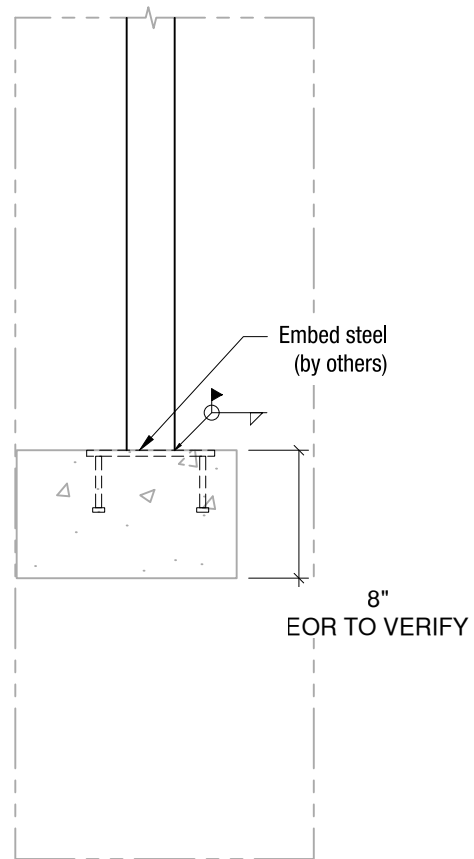


# Mounting Condition



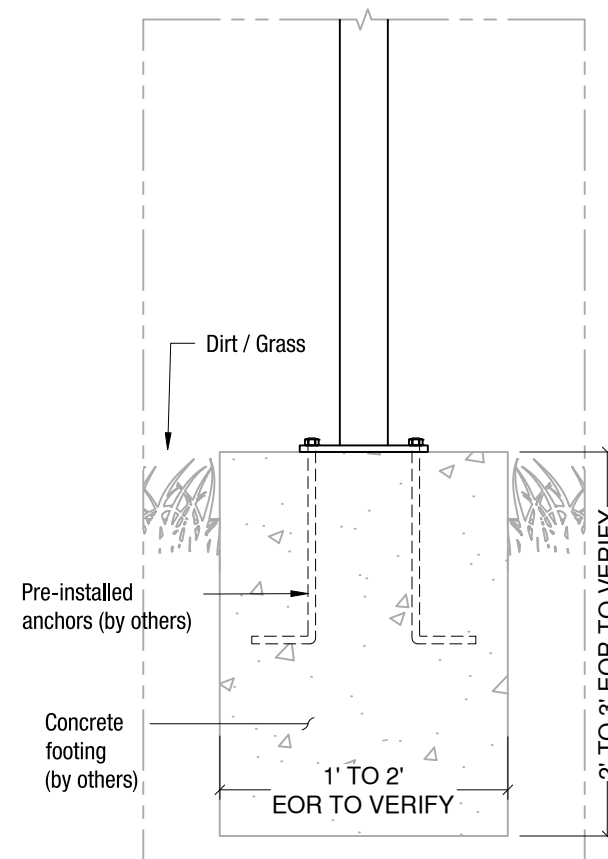
Anchored to Concrete<sup>1</sup> Slab - \$<sup>2</sup>  
Detail# LS-T01

1



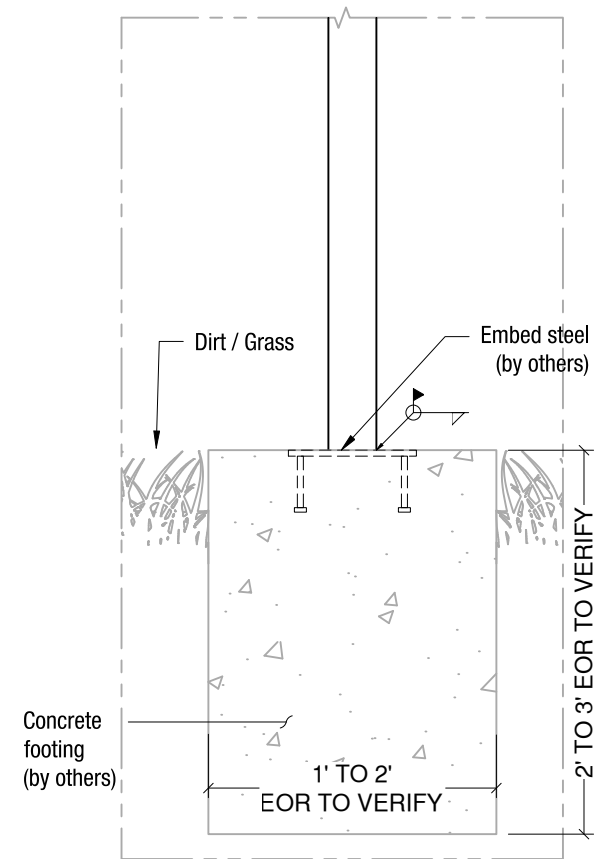
Welded to Embed on Slab - \$  
Detail# LS-T02

2



Anchored to Concrete Footing on Dirt - \$  
Detail# LS-T03

3



Welded to Embed Footing on Dirt - \$  
Detail# LS-T04

4

(1) Min. 4000 PSI concrete, Typ.  
(2) \$ to \$\$\$: Indicates finish type comparative cost.

# Pattern Collections

## Where Performance Meets Personality

At MetalSpaces, we know that WallScapes are more than functional barriers—they are expressive design elements that shape the identity of a space. Our curated pattern categories are tailored for wall applications requiring both aesthetic strength and technical excellence:

### **Primary**

Crisp, modern, and minimal — these linear patterns add structure and repetition to building exteriors.

### **Geometric**

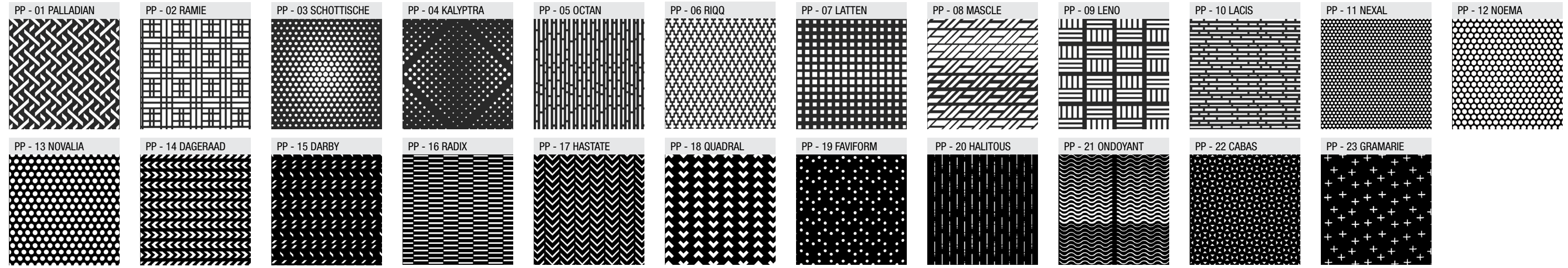
Symmetrical, tessellated designs that bring rhythm and movement to facades.

### **Organic**

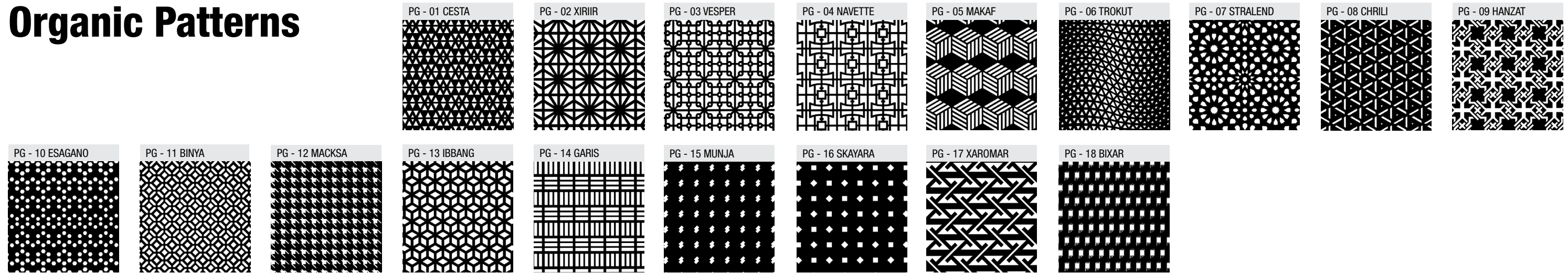
Soft, flowing forms that evoke nature. A biophilic touch in even the most urban environments.



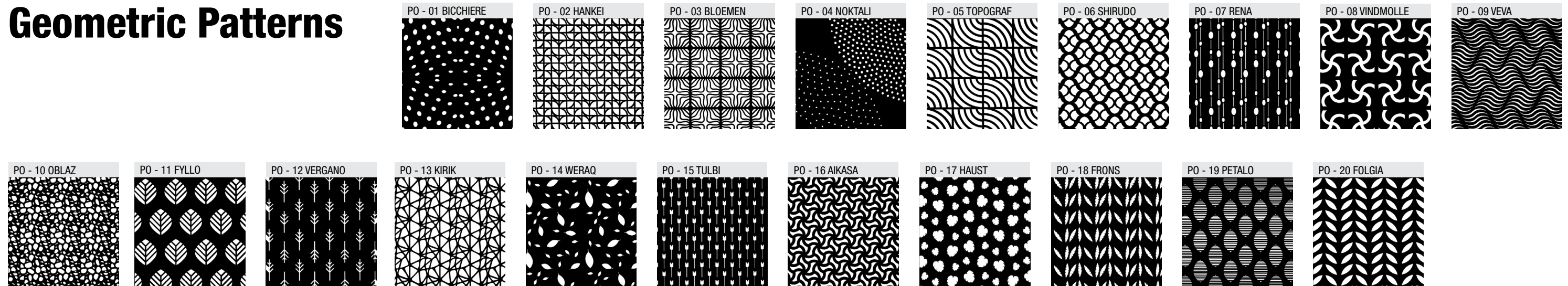
# Primary Patterns



# Organic Patterns



# Geometric Patterns





**DESIGN + ENGINEER + FABRICATE + INSTALL**

**151 W. Vista Ridge Mall Dr. Lewisville, TX 75067**

(Dallas/Fort Worth Metroplex)

PH: 972.353.8482 | [info@vivarailings.com](mailto:info@vivarailings.com)  
[vivarailings.com](http://vivarailings.com)



Inc. Magazine 500 | 5000  
VIVA RAILINGS, LLC.  
Among The Fastest Growing  
US Companies  
Eight Years in a Row  
**2012-2019**



Inc. Magazine 500 | 5000  
VIVA RAILINGS, LLC.  
Among The Fastest Growing  
Texas Companies  
**#211**



ICC-ES 4405 Certified  
**SHOE™**  
Structural Glass Railing System



LEED  
Material & Resources Credits 4.1 and 4.2



The American Institute of Architects



The California Contractors State License  
Board Certified

