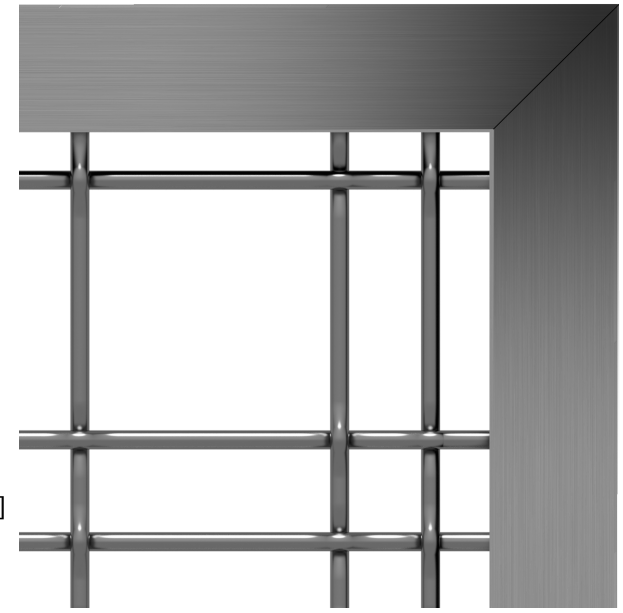
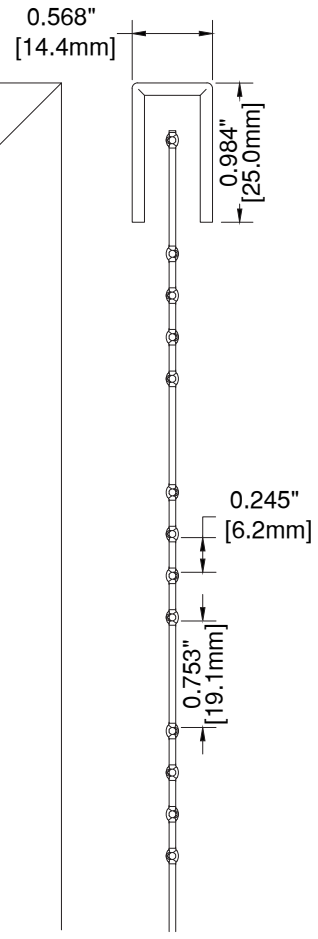
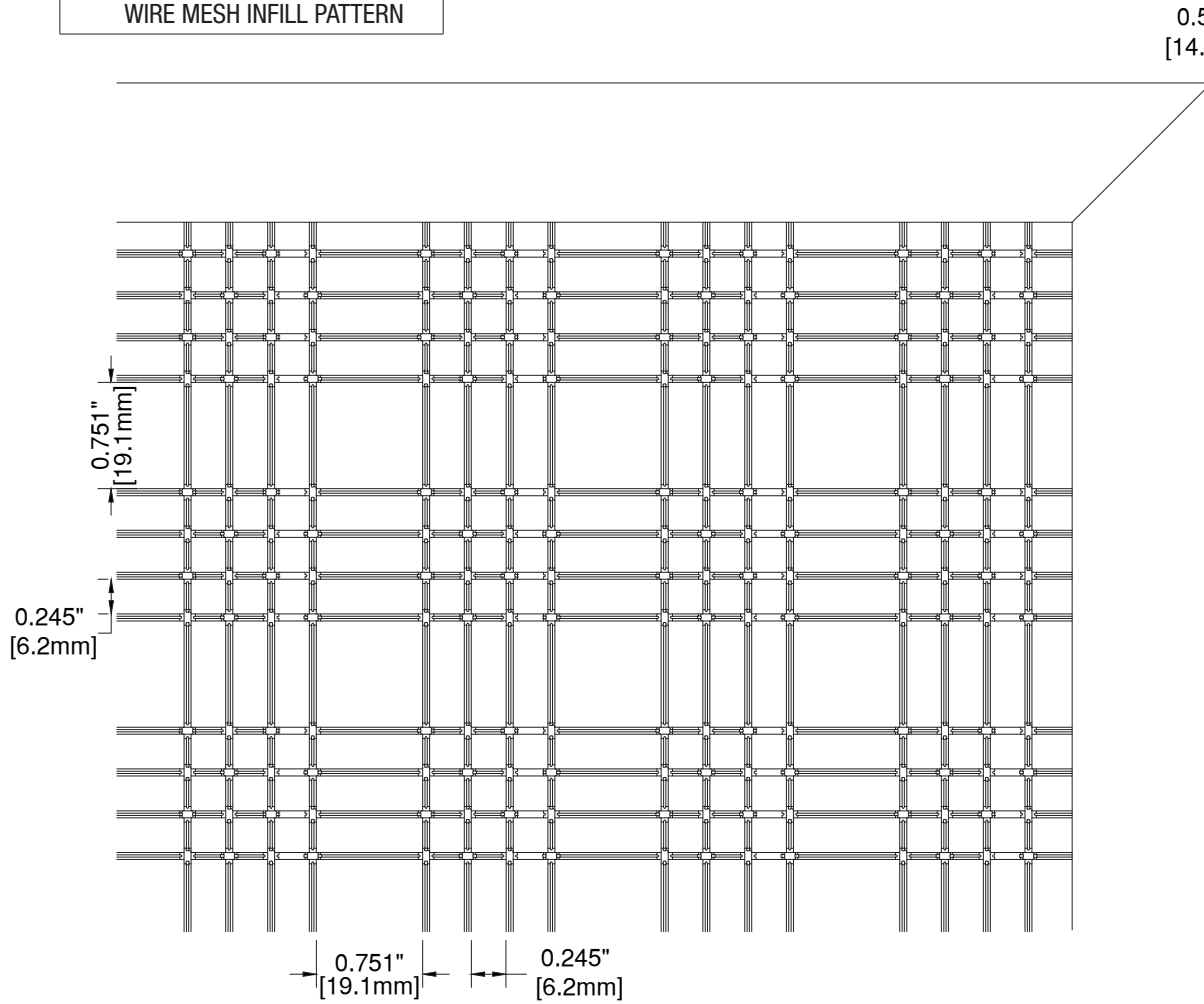


WM-17

WIRE MESH INFILL PATTERN



MESH CATEGORY	LARGE
PERCENT OPEN AREA	77.4%
WEIGHT	1.04 lbs/sq ft
AVAILABLE ALLOYS	STAINLESS STEEL, BRASS, BRONZE, MILD STEEL
OVERALL THICKNESS	0.255 inches