



STRUC - AVAILABLE INFILLS

Laser Cut Patterns

STRUC™ METAL PANEL RAILING SYSTEM PRODUCT DATA



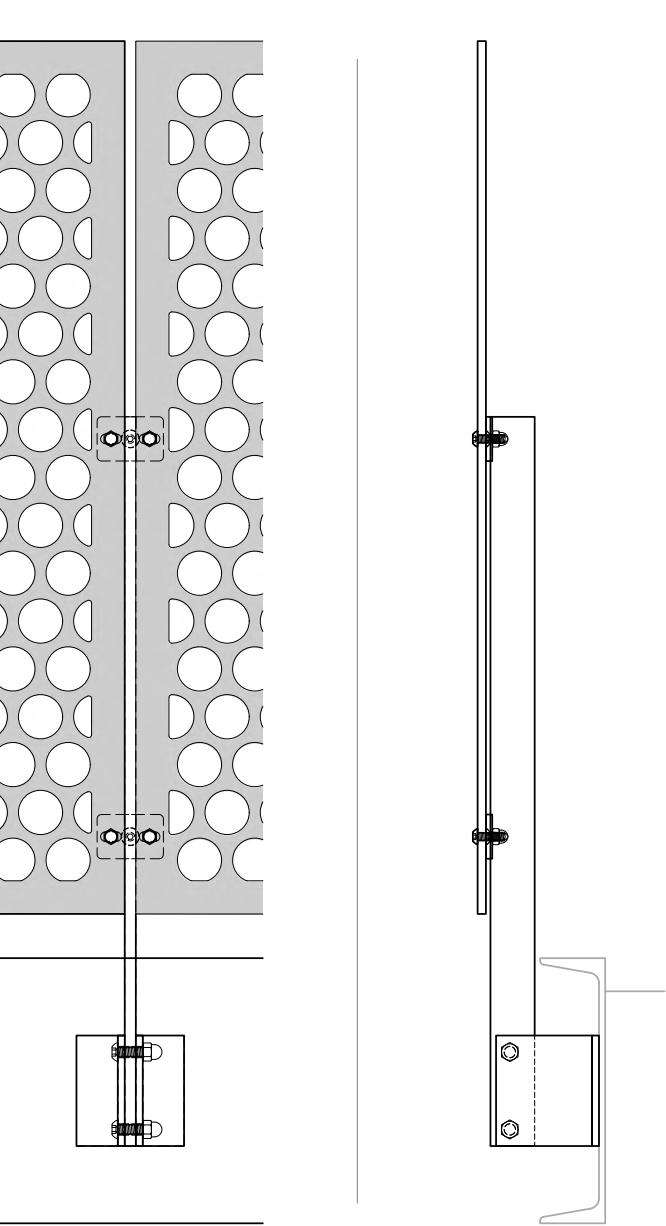
VIVA RAILINGS
LEADERS IN ARCHITECTURAL RAILING SYSTEMS

DESIGN + ENGINEER + FABRICATE + INSTALL

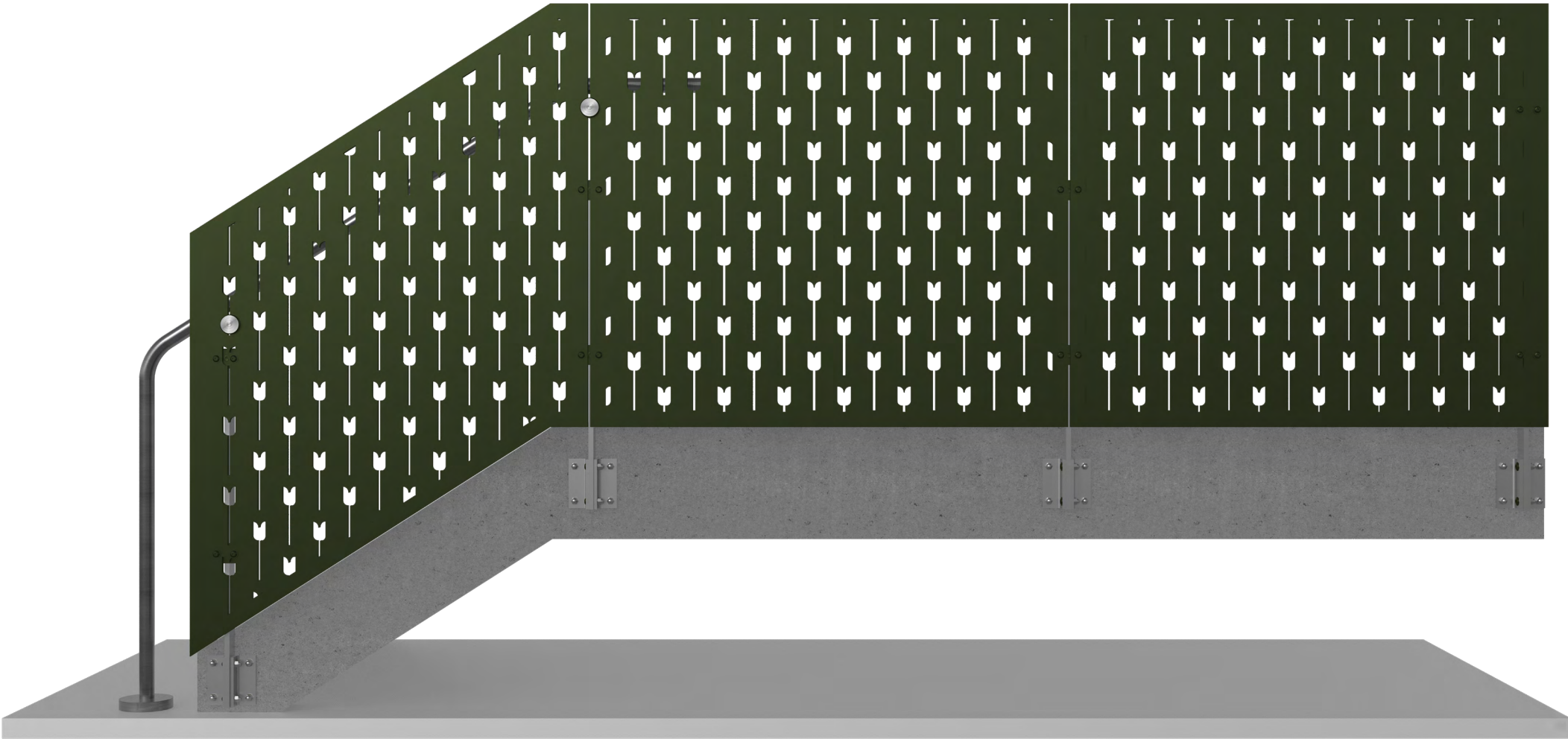


STRUC™ METAL PANEL RAILING SYSTEM

Our STRUC Panel Railing System is an ingeniously engineered structural sheet metal fabrication design. This system features CNC laser cut patterns that provide a range of pre-configured or custom designs of your choice. With material choices of aluminum or steel in finishes of anodized or powder coating.



STRUC - AVAILABLE INFILLS
Laser Cut Patterns



Other mounting options available.



STRUC™ METAL PANEL SYSTEM - TECHNICAL DATA

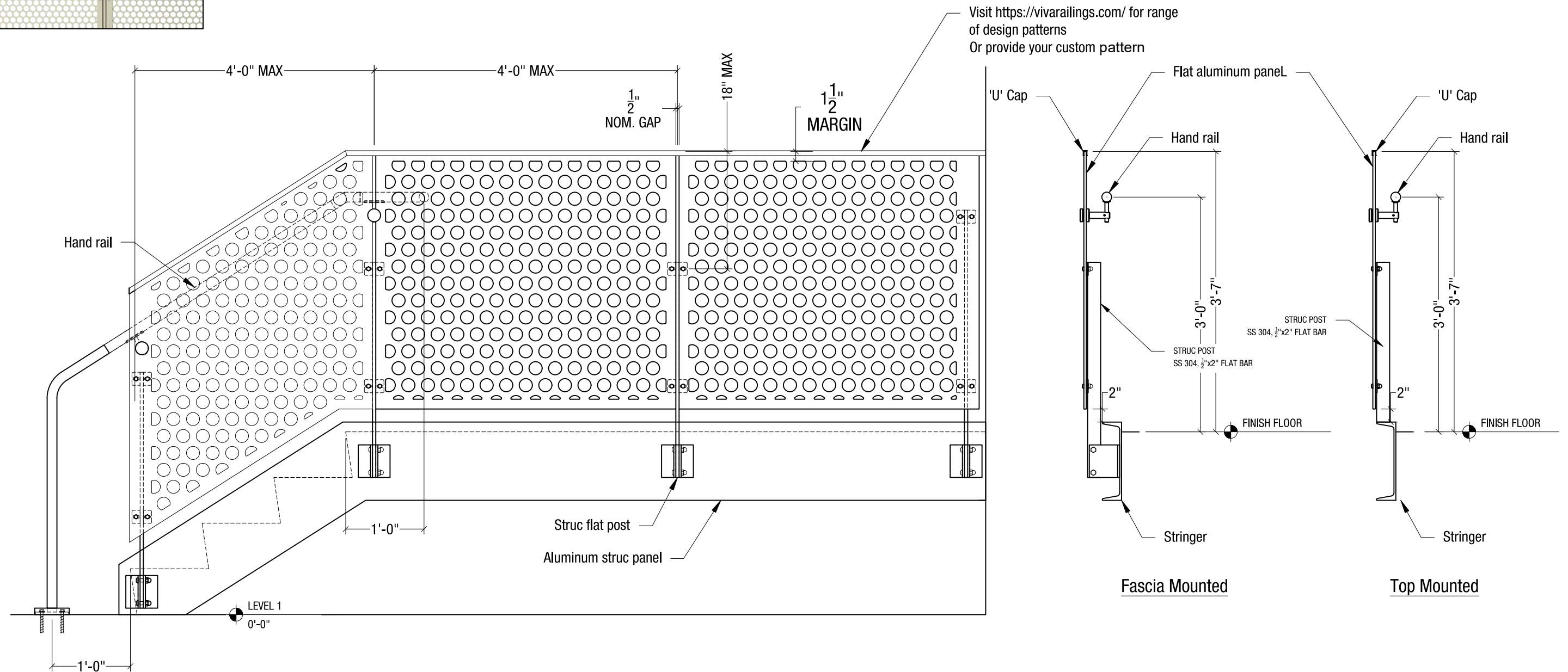
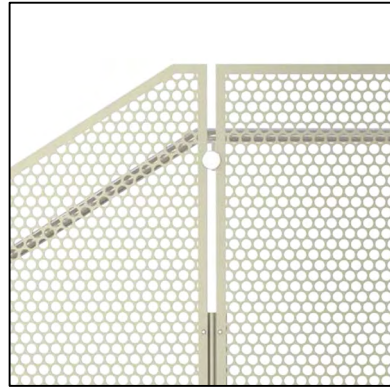
	MATERIAL	FINISH	SIZE/SPACING
POST	Stainless Steel (304 or 316) Stainless Steel (201)	#6 Satin - Powder Coat - PVDF VIVA Standard: All brackets, spiders, and accessories are satin finish stainless steel and are not coated. A coated finish is available upon request.	4'-0" max. O.C. post spacing, with 18" max. cantilever panel Fascia, Top or Core mount.
INFILL OPTIONS	Aluminum	- Powder Coat - PVDF	Flat aluminum panel
HAND RAIL	Stainless Steel Tube Stainless Steel Tube with LED ¹ Wood (Red Oak, Cherry or Maple) ² Wood (Red Oak, Cherry or Maple) with LED	- #6 Satin (Recommended) - Powder Coat - PVDF Unstained	Ø1-1/2" or Ø2" tube Ø1-1/2" with LED LINEAR, Ø1-1/2" or Ø2" with LED POD Ø2" Ø2" with LED LINEAR



1. All LED LINEAR products are ETL certified; ETL mark is proof of product compliance to North American safety standard.
2. Other species available upon request.



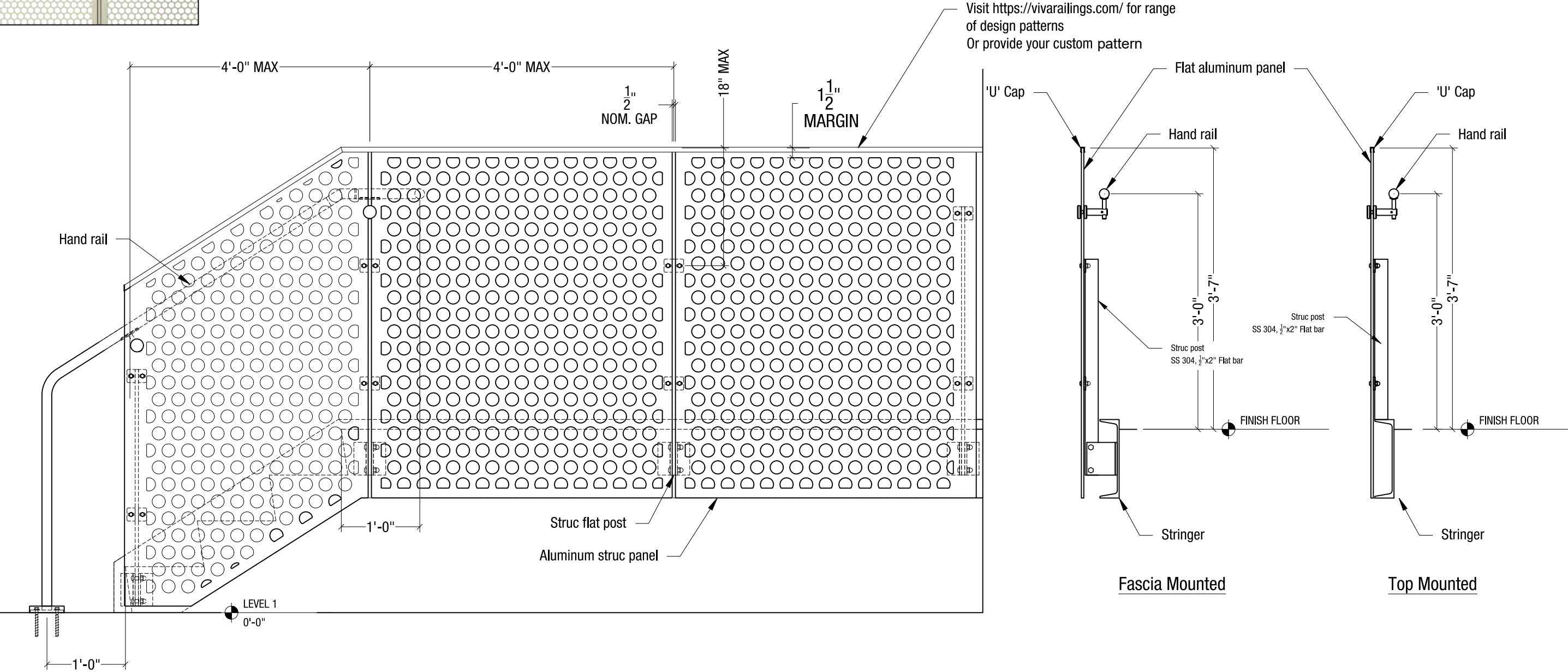
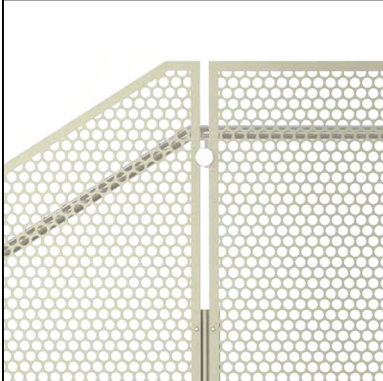
STRUC RAILING SYSTEM METAL PANEL INFILL



VIVA RAILINGS IS NOT RESPONSIBLE FOR THE STRUCTURAL INTEGRITY OF ANY BUILDING SYSTEMS OR OTHER MATERIALS NOT FURNISHED BY VIVA RAILINGS. VIVA RAILINGS HAS NO WAY OF KNOWING AND SPECIFICALLY DISCLAIMS WHETHER OR NOT THE BUILDING SYSTEMS TO WHICH VIVA RAILINGS' PRODUCTS ARE TO BE ATTACHED ARE STRUCTURALLY SOUND OR DESIGNED TO PROPERLY SUPPORT VIVA RAILINGS'S MATERIALS. ANY SUCH DESIGN RESPONSIBILITY BELONGS TO OTHERS FOR WHOM VIVA RAILINGS IS NOT RESPONSIBLE. THESE DRAWINGS ARE INTENDED FOR THE SOLE USE OF VIVA RAILINGS' CUSTOMER AND THEIR AGENTS FOR THE INSTALLATION OF PRODUCTS FURNISHED BY VIVA RAILINGS. VIVA RAILINGS REMAINS THE SOLE OWNER OF ALL DESIGNS AND INTELLECTUAL PROPERTY CONTAINED WITHIN. REPRODUCTION AND USE OF THESE DESIGNS FOR ANY OTHER PURPOSE IS FORBIDDEN. SCALES ARE PROVIDED FOR REFERENCE ONLY. FOR PRODUCT INFORMATION AND TECHNICAL SUPPORT, PLEASE CONTACT VIVA RAILINGS.



STRUC METAL PANEL RAILING SYSTEM EXTENDED

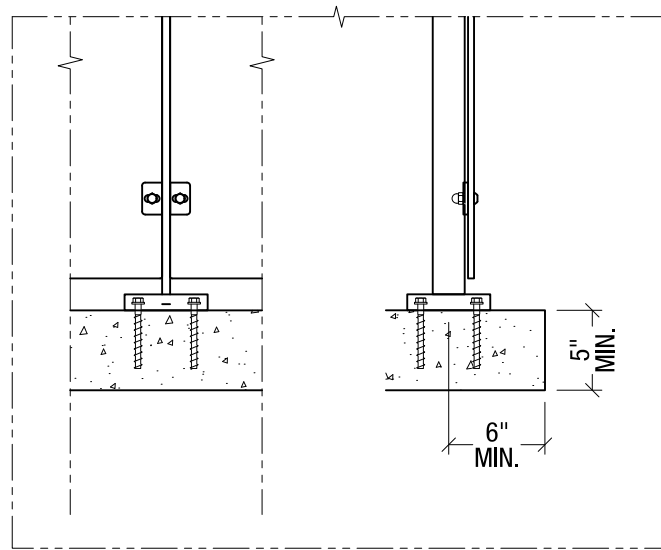


VIVA RAILINGS IS NOT RESPONSIBLE FOR THE STRUCTURAL INTEGRITY OF ANY BUILDING SYSTEMS OR OTHER MATERIALS NOT FURNISHED BY VIVA RAILINGS. VIVA RAILINGS HAS NO WAY OF KNOWING AND SPECIFICALLY DISCLAIMS WHETHER OR NOT THE BUILDING SYSTEMS TO WHICH VIVA RAILINGS' PRODUCTS ARE TO BE ATTACHED ARE STRUCTURALLY SOUND OR DESIGNED TO PROPERLY SUPPORT VIVA RAILINGS'S MATERIALS. ANY SUCH DESIGN RESPONSIBILITY BELONGS TO OTHERS FOR WHOM VIVA RAILINGS IS NOT RESPONSIBLE. THESE DRAWINGS ARE INTENDED FOR THE SOLE USE OF VIVA RAILINGS' CUSTOMER AND THEIR AGENTS FOR THE INSTALLATION OF PRODUCTS FURNISHED BY VIVA RAILINGS. VIVA RAILINGS REMAINS THE SOLE OWNER OF ALL DESIGNS AND INTELLECTUAL PROPERTY CONTAINED WITHIN. REPRODUCTION AND USE OF THESE DESIGNS FOR ANY OTHER PURPOSE IS FORBIDDEN. SCALES ARE PROVIDED FOR REFERENCE ONLY. FOR PRODUCT INFORMATION AND TECHNICAL SUPPORT, PLEASE CONTACT VIVA RAILINGS.



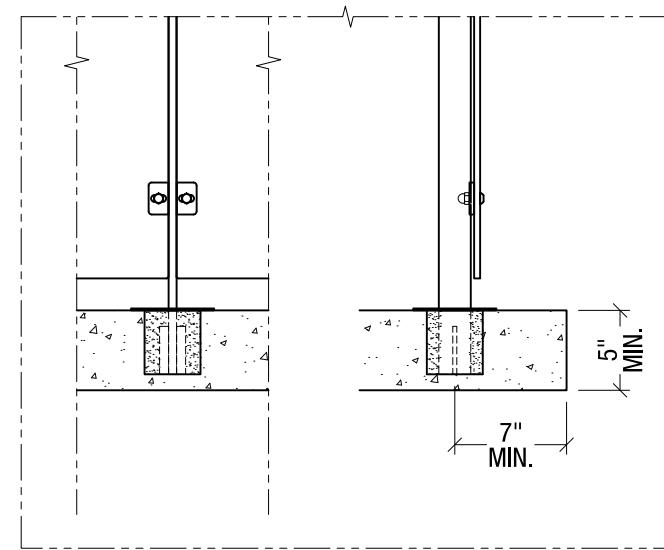
STRUC RAILING SYSTEM

MOUNTING CONDITION, TOP MOUNTED POST



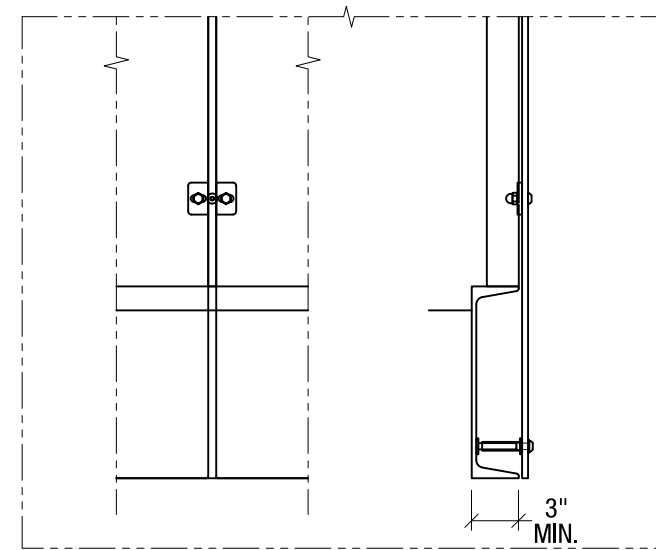
Anchored to Concrete ¹ - \$ ²

Detail# ST-T01



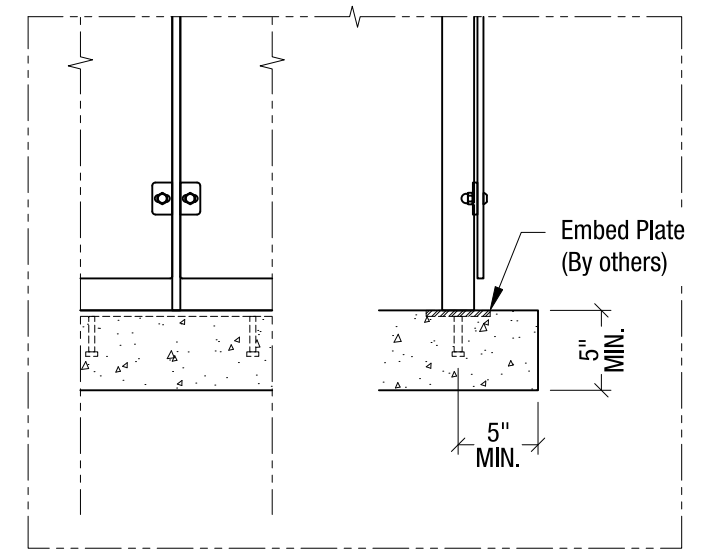
Cored into Concrete - \$\$

Detail# ST-T02



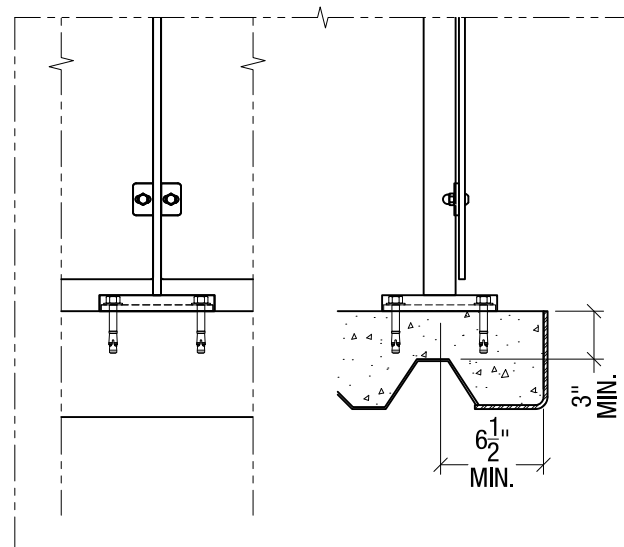
Welded @ Steel Channel - \$

Detail# ST-T03



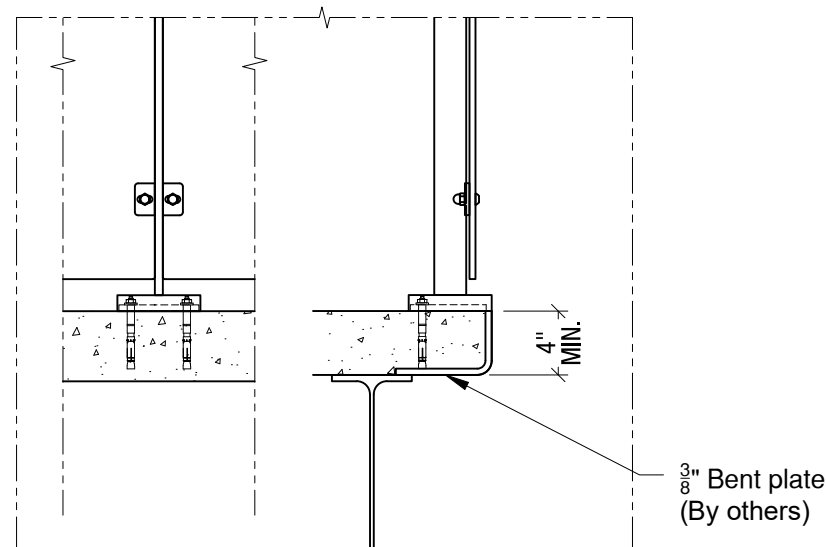
Welded @ Embed Plate - \$

Detail# ST-T04



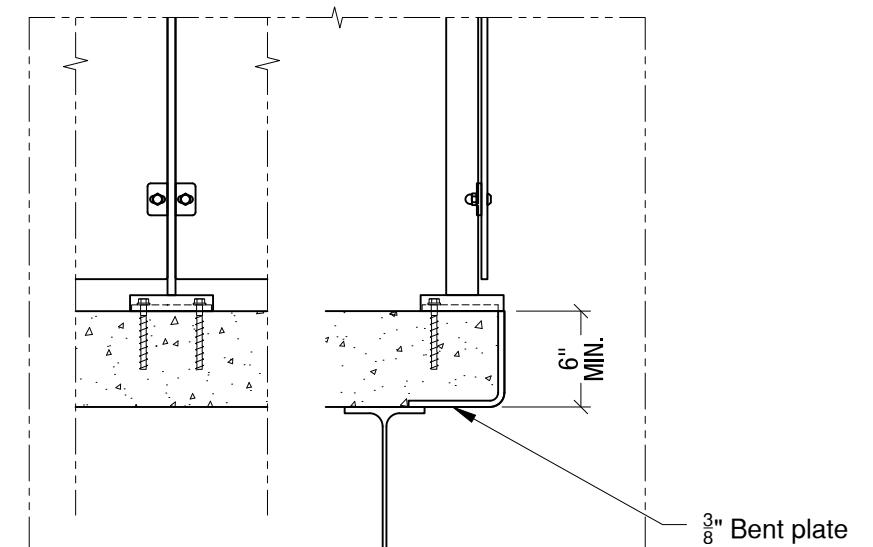
Anchored to Concrete Slab on Deck - \$\$

Detail# ST-T05



Welded @ Steel Angle Anchored @
Concrete - \$\$

Detail# ST-T06



Welded @ Steel Angle Anchored @
Concrete - \$\$

Detail# ST-T07

(1) Min. 4000 PSI concrete, Typ.

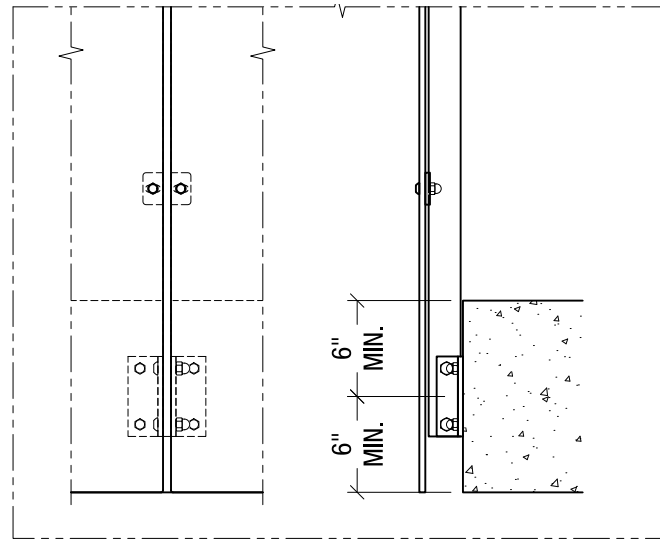
(2) \$ to \$\$\$: Indicates mounting type comparative cost

VIVA RAILINGS IS NOT RESPONSIBLE FOR THE STRUCTURAL INTEGRITY OF ANY BUILDING SYSTEMS OR OTHER MATERIALS NOT FURNISHED BY VIVA RAILINGS. VIVA RAILINGS HAS NO WAY OF KNOWING AND SPECIFICALLY DISCLAIMS WHETHER OR NOT THE BUILDING SYSTEMS TO WHICH VIVA RAILINGS' PRODUCTS ARE TO BE ATTACHED ARE STRUCTURALLY SOUND OR DESIGNED TO PROPERLY SUPPORT VIVA RAILINGS'S MATERIALS. ANY SUCH DESIGN RESPONSIBILITY BELONGS TO OTHERS FOR WHOM VIVA RAILINGS IS NOT RESPONSIBLE. THESE DRAWINGS ARE INTENDED FOR THE SOLE USE OF VIVA RAILINGS' CUSTOMER AND THEIR AGENTS FOR THE INSTALLATION OF PRODUCTS FURNISHED BY VIVA RAILINGS. VIVA RAILINGS REMAINS THE SOLE OWNER OF ALL DESIGNS AND INTELLECTUAL PROPERTY CONTAINED WITHIN. REPRODUCTION AND USE OF THESE DESIGNS FOR ANY OTHER PURPOSE IS FORBIDDEN. SCALES ARE PROVIDED FOR REFERENCE ONLY. FOR PRODUCT INFORMATION AND TECHNICAL SUPPORT, PLEASE CONTACT VIVA RAILINGS.



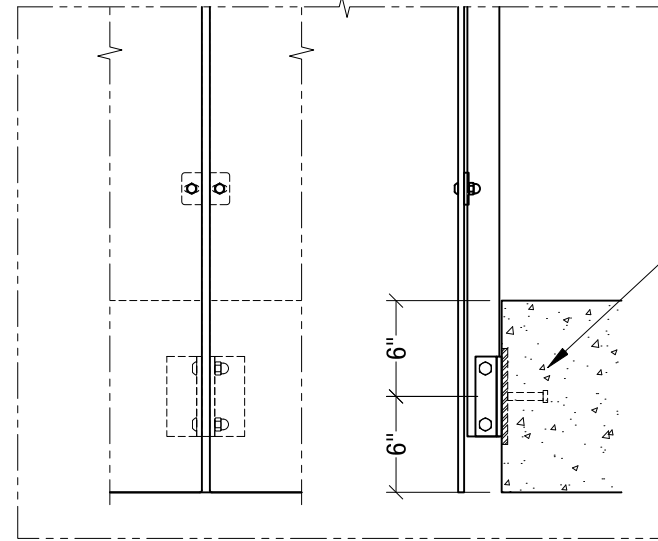
STRUC RAILING SYSTEM

MOUNTING CONDITION, FASCIA MOUNTED POST



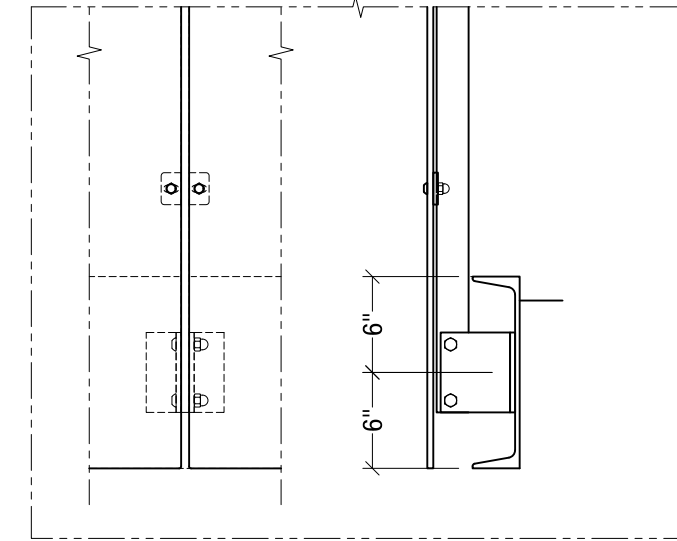
Anchored to Concrete ¹ - \$\$\$

Detail# ST-F01



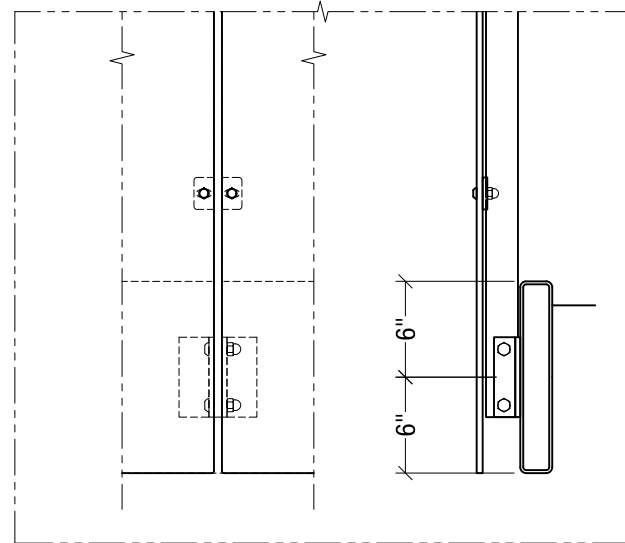
Welded @ Embed Plate - \$\$

Detail# ST-F02



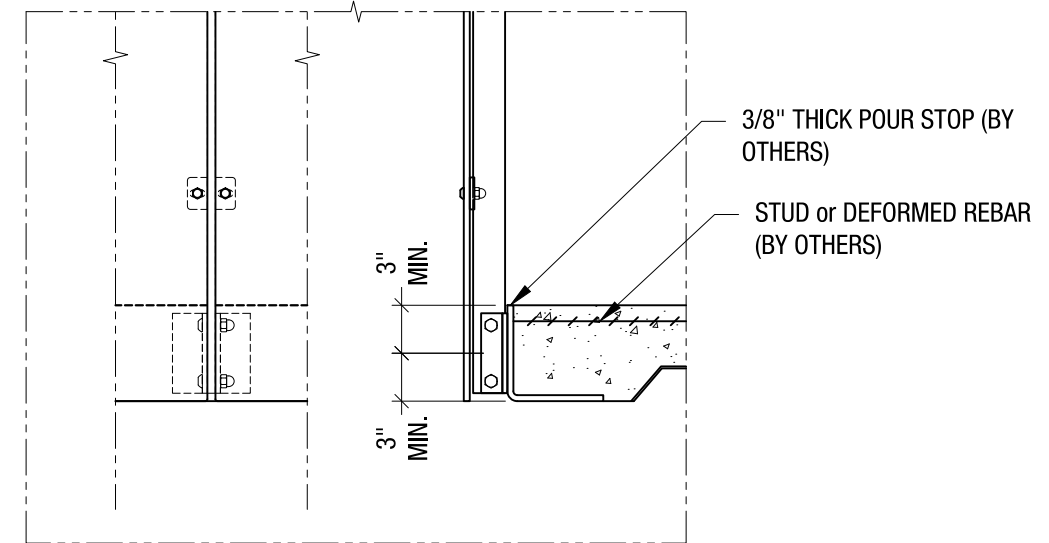
Welded @ Steel Channel - \$\$

Detail# ST-F03



Welded @ Steel Tube - \$\$

Detail# ST-F04



Welded @ Steel Angle - \$\$

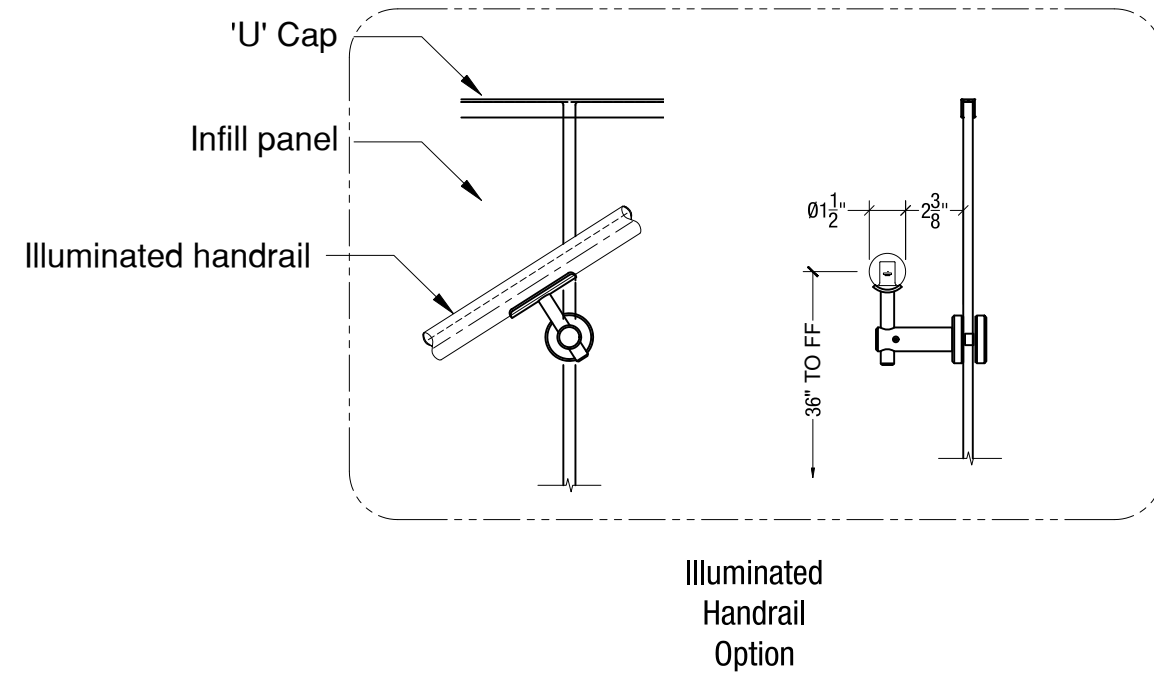
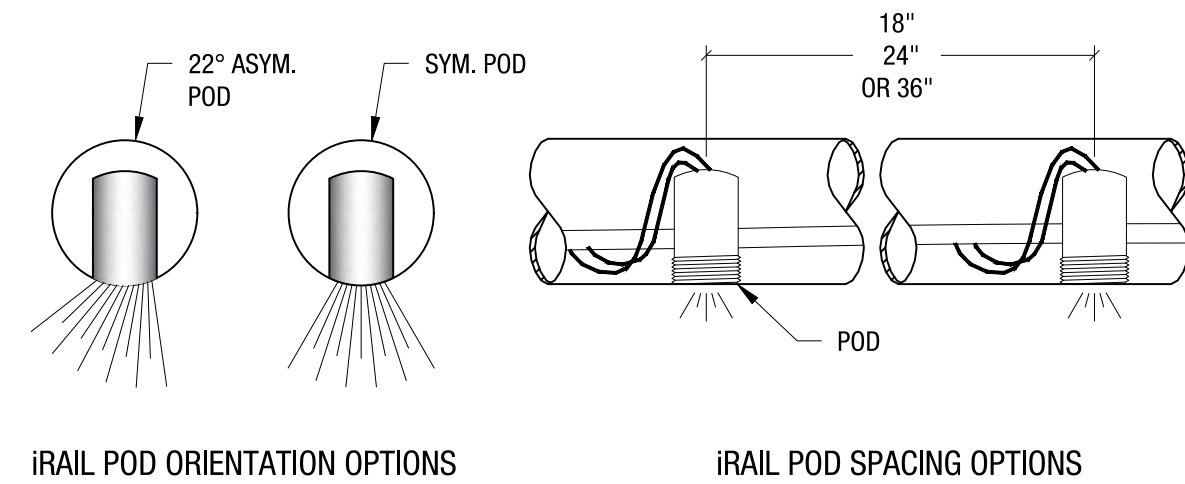
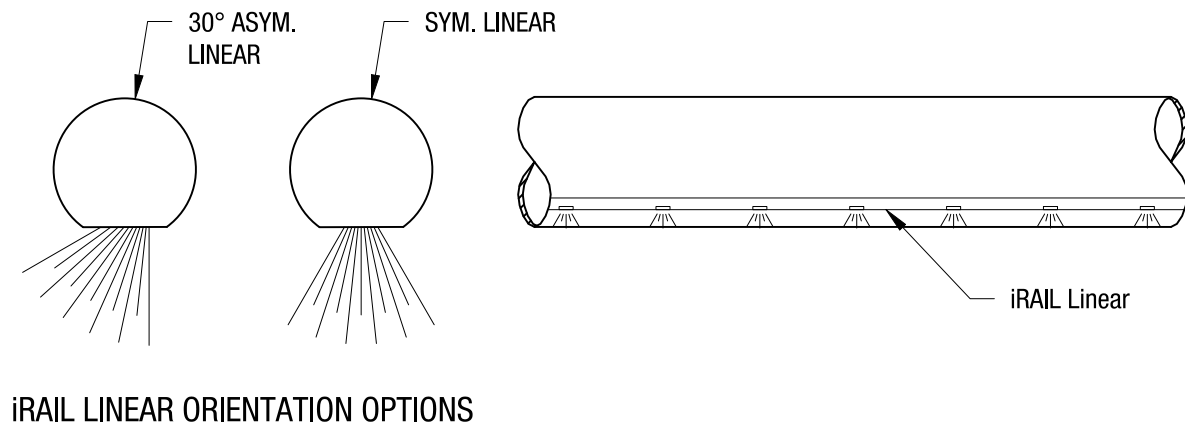
Detail# ST-F05

(1) Min. 4000 PSI concrete, Typ.



STRUC RAILING SYSTEM

ILLUMINATED RAILING



iRAIL LIGHTED RAILING SYSTEM



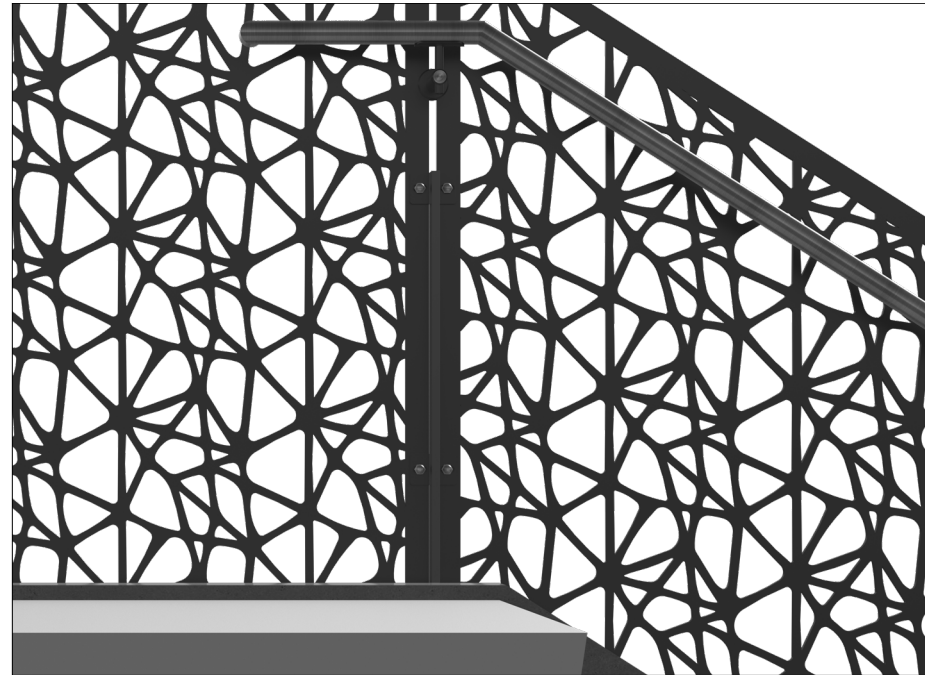
STRUC METAL PANEL RAILING SYSTEM

FINISHING OPTIONS

#6 Satin (Post)



Powder Coat*



Powder coating is an environmentally-friendly option because it doesn't rely on solvents or chemical carriers. Instead, an electrostatic charge holds the paint to the steel, thus eliminating VOC emissions which will help in regards to LEED requirements. In addition, it meets AAMA specifications. Powder coating is durable and scratch resistant so it weathers and retains its original hue better than conventional liquid coatings.*



[POWDER COAT FINISHING OPTIONS](#)

The digital swatches of our powder coat colors may not accurately represent the actual real-life samples. Factors such as monitor settings, lighting conditions, and individual perception can affect the colors you see on your screen. We suggest using the swatches as a general reference for color, shade, and hue, rather than expecting an exact match. For the most precise color selection, we recommend requesting physical samples or visiting our office in Lewisville, TX to evaluate the powder coat colors in person.

Please note that while we offer a diverse range of standard powder coat colors to complement our products, any selections outside of these standard options may incur additional costs. We encourage you to consult with our specialists to explore all available options and make the best decision for your project needs.



STRUC METAL PANEL RAILING SYSTEM SAVANNAH COLLEGE

SCAD COLLEGE OF ART AND DESIGN - ATLANTA, GA
General Contractor: Clayco Inc
Architect: Mackey Mitchell Associates



STRUC METAL PANEL RAILING SYSTEM WEST COAST UNIVERSITY

WCU

WEST COAST UNIVERSITY - RICHARDSON, TX
General Contractor: HRNCIR Construction
Architect: Gensler





DESIGN + ENGINEER + FABRICATE + INSTALL

151 W. Vista Ridge Mall Dr. Lewisville, TX 75067

(Dallas/Fort Worth Metroplex)

PH: 972.353.8482 | info@vivarailings.com
vivarailings.com



Inc. Magazine 500 | 5000
VIVA RAILINGS, LLC.
Among The Fastest Growing
US Companies
Eight Years in a Row
2012-2019



Inc. Magazine 500 | 5000
VIVA RAILINGS, LLC.
Among The Fastest Growing
Texas Companies
#211



ICC-ES 4405 Certified
SHOE™
Structural Glass Railing System



LEED
Material & Resources Credits 4.1 and 4.2



The American Institute of Architects



The California Contractors State License
Board Certified