

SBS - AVAILABLE INFILLS

Glass

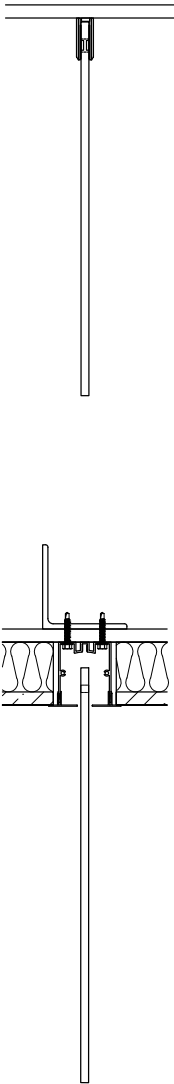
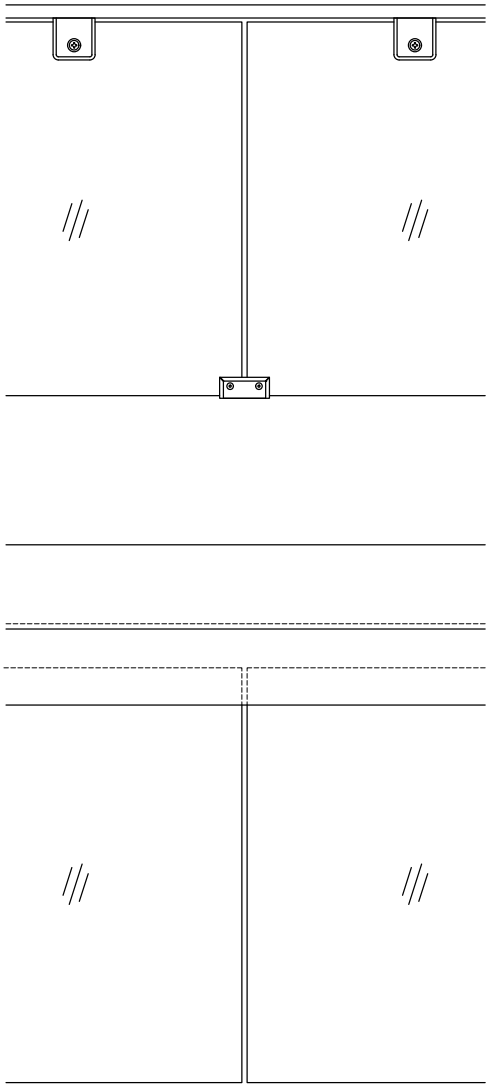
SMOKE BAFFLE SYSTEM™ GLASS SYSTEM PRODUCT DATA



DESIGN + ENGINEER + FABRICATE + INSTALL



SBS™ GLASS SYSTEM



SBS - AVAILABLE INFILLS

Glass

Our Smoke Baffle System (**U.S. Patent No. 11,519,170**) seamlessly balances safety and aesthetics. Today's fire codes often require building smoke curtains in the event of a fire emergency. The Smoke Baffle system provides inconspicuous smoke barriers between slab openings, level changes or divisions of areas. The Smoke Baffle is available in the following finishes: Stainless Steel, Powder Coat Standard, Custom Colors or Anodized Aluminum.



Other mounting options available.



SBS™ GLASS SYSTEM - TECHNICAL DATA

| | MATERIAL | FINISH | SIZE/SPACING |
|-----------|---|---|---|
| BASE TYPE | SBS-1 - Clamps - Stainless Steel | #6 Satin | Surface or Concealed mount |
| | SBS-2 - Two Part Smoke Baffle System*, Aluminum | Powder Coat | |
| GLASS | Monolithic Tempered | Clear, Digitally Printed, Tinted, Colored Interlayer and Cast | Thickness: 3/8" or 1/2" Height: 18" standard or custom |

* Patent Pending - VIVA Two Part Smoke Baffle System, adjustable in all 3 axis for aligned finishes and ease of installation.

FINISHING OPTIONS

#6 Satin



Powder Coat*

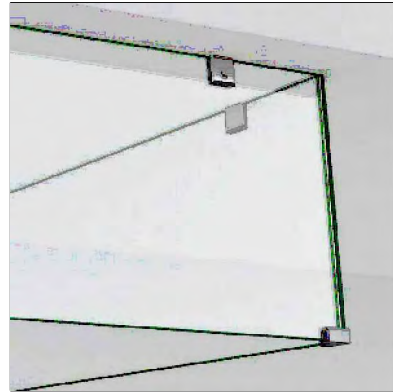


[POWDER COAT FINISHING OPTIONS](#)

Powder coating is an environmentally-friendly option because it doesn't rely on solvents or chemical carriers. Instead, an electrostatic charge holds the paint to the steel, thus eliminating VOC emissions which will help in regards to LEED requirements. In addition, it meets AAMA specifications. Powder coating is durable and scratch resistant so it weathers and retains its original hue better than conventional liquid coatings.*



SBS GLASS SYSTEM GLASS INFILL



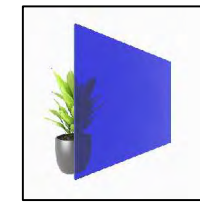
AVAILABLE GLASS TYPES:



Clear Laminated
(PVB or SGP)



Tinted



Colored Interlayer



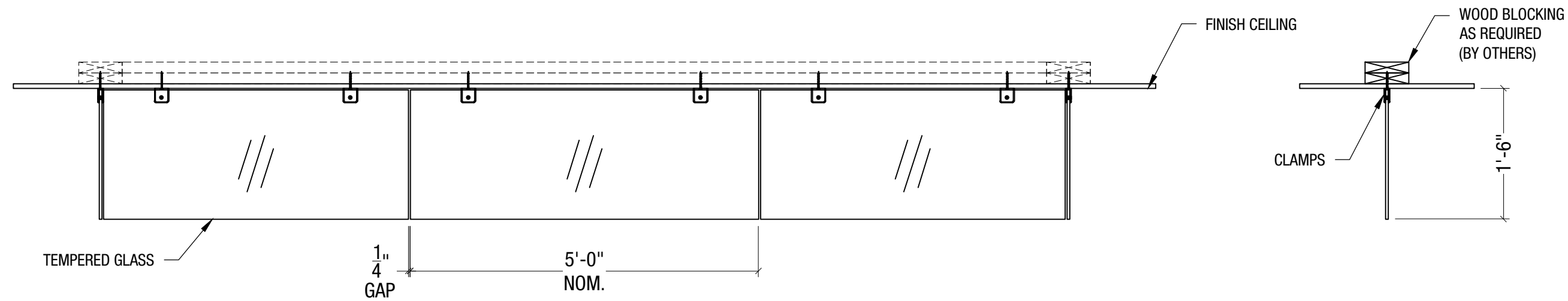
Frosted



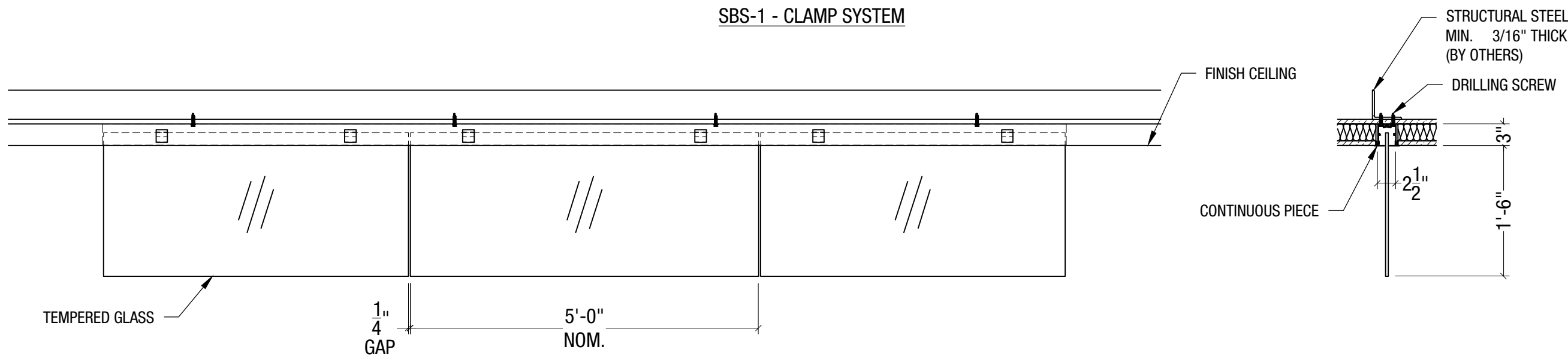
Ceramic Frit



Casted



SBS-1 - CLAMP SYSTEM

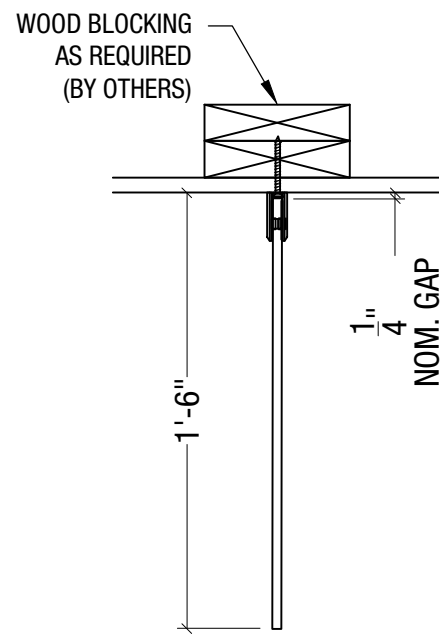


SBS-2 - Two Part SMOKE BAFFLE SYSTEM

VIVA RAILINGS IS NOT RESPONSIBLE FOR THE STRUCTURAL INTEGRITY OF ANY BUILDING SYSTEMS OR OTHER MATERIALS NOT FURNISHED BY VIVA RAILINGS. VIVA RAILINGS HAS NO WAY OF KNOWING AND SPECIFICALLY DISCLAIMS WHETHER OR NOT THE BUILDING SYSTEMS TO WHICH VIVA RAILINGS' PRODUCTS ARE TO BE ATTACHED ARE STRUCTURALLY SOUND OR DESIGNED TO PROPERLY SUPPORT VIVA RAILINGS'S MATERIALS. ANY SUCH DESIGN RESPONSIBILITY BELONGS TO OTHERS FOR WHOM VIVA RAILINGS IS NOT RESPONSIBLE. THESE DRAWINGS ARE INTENDED FOR THE SOLE USE OF VIVA RAILINGS' CUSTOMER AND THEIR AGENTS FOR THE INSTALLATION OF PRODUCTS FURNISHED BY VIVA RAILINGS. VIVA RAILINGS REMAINS THE SOLE OWNER OF ALL DESIGNS AND INTELLECTUAL PROPERTY CONTAINED WITHIN. REPRODUCTION AND USE OF THESE DESIGNS FOR ANY OTHER PURPOSE IS FORBIDDEN. SCALES ARE PROVIDED FOR REFERENCE ONLY. FOR PRODUCT INFORMATION AND TECHNICAL SUPPORT, PLEASE CONTACT VIVA RAILINGS.

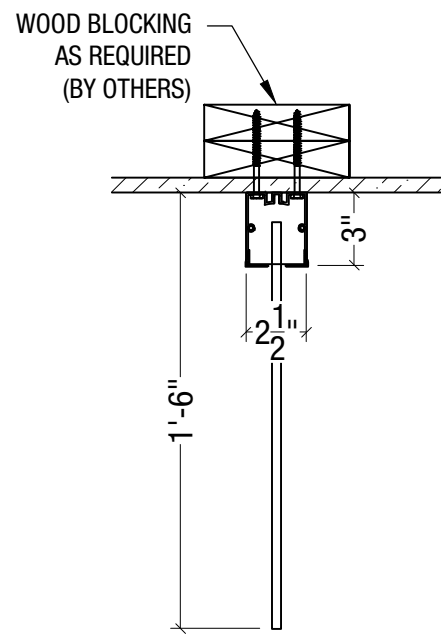


SBS GLASS SYSTEM MOUNTING OPTIONS



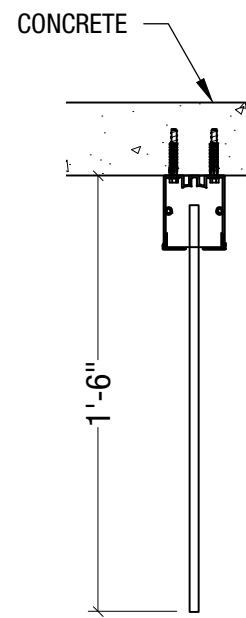
SBS-1, Surface Mount
with Clamps

Detail# SB-01



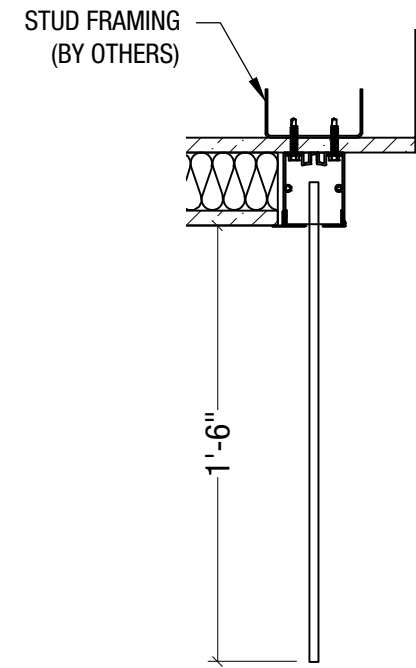
SBS-2, Surface Mount
2 sides exposed

Detail# SB-02



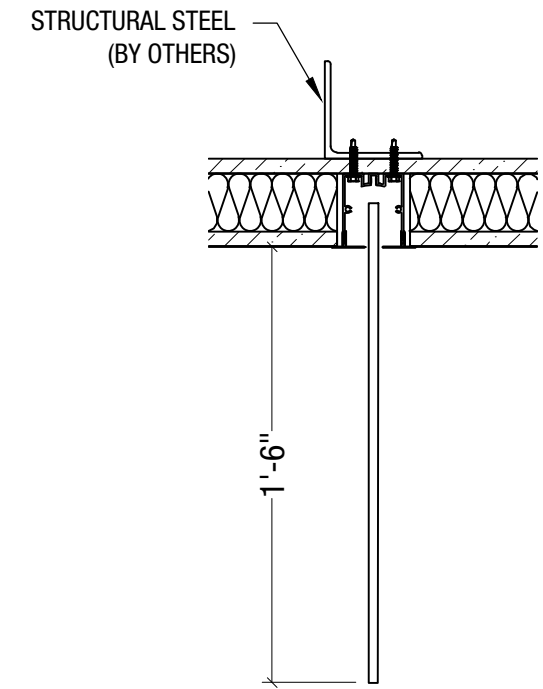
SBS-2, Surface Mount
2 sides exposed

Detail# SB-03



SBS-2: Surface Mount
1 side exposed

Detail# SB-04



SBS-2: Insert Mount
with surface trim

Detail# SB-05

* Patent Pending - VIVA Two Part Smoke Baffle System, adjustable in all 3 axis for aligned finishes and ease of installation.

VIVA RAILINGS IS NOT RESPONSIBLE FOR THE STRUCTURAL INTEGRITY OF ANY BUILDING SYSTEMS OR OTHER MATERIALS NOT FURNISHED BY VIVA RAILINGS. VIVA RAILINGS HAS NO WAY OF KNOWING AND SPECIFICALLY DISCLAIMS WHETHER OR NOT THE BUILDING SYSTEMS TO WHICH VIVA RAILINGS' PRODUCTS ARE TO BE ATTACHED ARE STRUCTURALLY SOUND OR DESIGNED TO PROPERLY SUPPORT VIVA RAILINGS'S MATERIALS. ANY SUCH DESIGN RESPONSIBILITY BELONGS TO OTHERS FOR WHOM VIVA RAILINGS IS NOT RESPONSIBLE. THESE DRAWINGS ARE INTENDED FOR THE SOLE USE OF VIVA RAILINGS' CUSTOMER AND THEIR AGENTS FOR THE INSTALLATION OF PRODUCTS FURNISHED BY VIVA RAILINGS. VIVA RAILINGS REMAINS THE SOLE OWNER OF ALL DESIGNS AND INTELLECTUAL PROPERTY CONTAINED WITHIN. REPRODUCTION AND USE OF THESE DESIGNS FOR ANY OTHER PURPOSE IS FORBIDDEN. SCALES ARE PROVIDED FOR REFERENCE ONLY. FOR PRODUCT INFORMATION AND TECHNICAL SUPPORT, PLEASE CONTACT VIVA RAILINGS.



SMOKE BAFFLE SYSTEM CORE CONSTRUCTION H.Q.

CORE CONSTRUCTION HEADQUARTERS - FRISCO, TX
General Contractor: Core Construction
Architect: 5G Studio



SMOKE BAFFLE SYSTEM UT DALLAS SCIENCE BUILDING

UNIV. OF TEXAS SCIENCE BUILDING - RICHARDSON, TX
General Contractor: Linbeck Group
Architect: Stantec Corporation





DESIGN + ENGINEER + FABRICATE + INSTALL

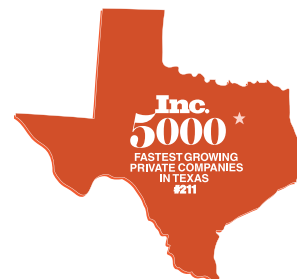
151 W. Vista Ridge Mall Dr. Lewisville, TX 75067

(Dallas/Fort Worth Metroplex)

PH: 972.353.8482 | info@vivarailings.com
vivarailings.com



Inc. Magazine 500 | 5000
VIVA RAILINGS, LLC.
Among The Fastest Growing
US Companies
Eight Years in a Row
2012-2019



Inc. Magazine 500 | 5000
VIVA RAILINGS, LLC.
Among The Fastest Growing
Texas Companies
#211



ICC-ES 4405 Certified
SHOE™
Structural Glass Railing System



LEED
Material & Resources Credits 4.1 and 4.2



The American Institute of Architects



The California Contractors State License
Board Certified