

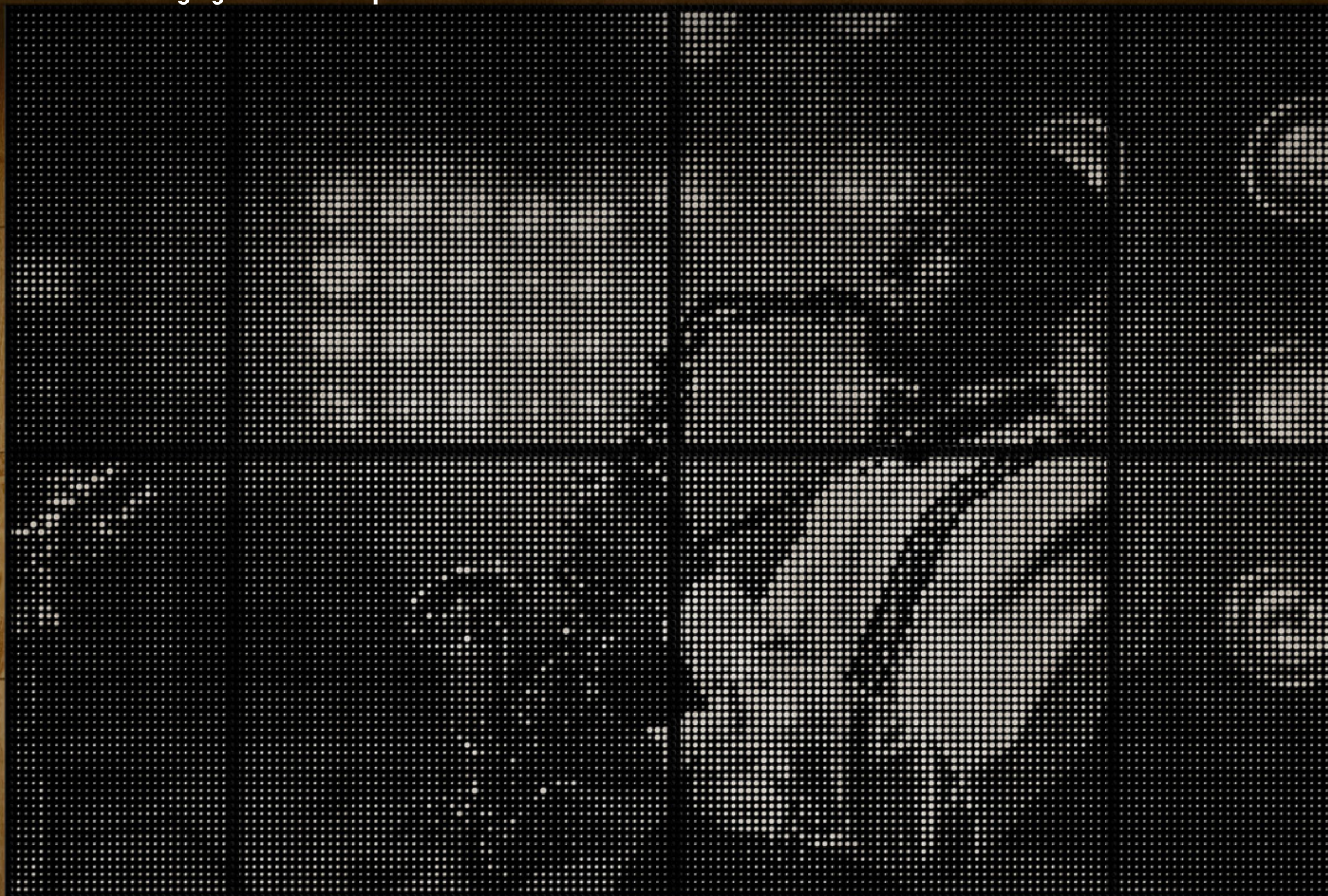
WallScapes: FotoFacade

Metal Imaging. Unlimited Expression.

METAL
SPACES
A division of Viva Railings, LLC.



VIVA RAILINGS
LEADERS IN ARCHITECTURAL RAILING SYSTEMS



System Overview



Engineered laser-cut panel and screen systems for signature facades and complex installations



CSI Division: 07 42200 – Custom Wall Panels



Delivery Model: Turnkey (primary) or supply-only

A fully integrated wall panel system for facades and feature walls, combining custom design, engineering, fabrication, and optional installation. WallScapes designs are achieved through standard patterns, custom laser-cut solutions, or FotoFacade™ Metal Imaging Systems, enabling visually distinctive, high-performance surfaces across exterior and interior applications.



APPLICATIONS



Storytelling and branded environments: cultural institutions, civic buildings, healthcare, and corporate campuses



Signature façade features: image-based cladding as architectural centerpieces on commercial and mixed-use projects



Interior feature walls: branded lobbies, atriums, and identity-driven corridors

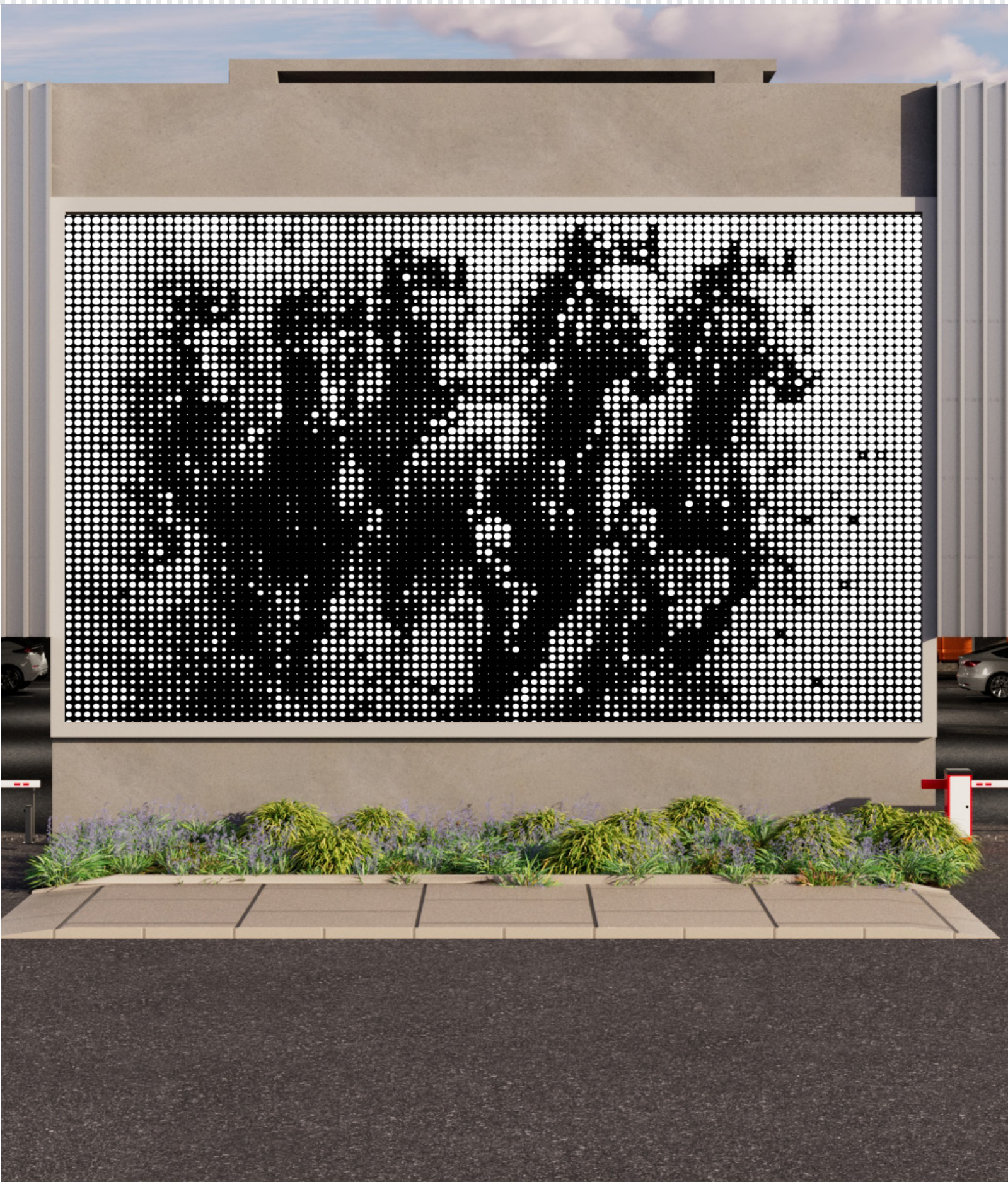


Donor recognition and memorial walls: permanent, high-impact institutional installations



KEY FEATURES

- **True Turnkey Delivery:** Single-source design, engineering, fabrication, and optional installation
- **Unlimited Design Expression:** Standard pattern library, custom laser-cut solutions, and FotoFacade™ image-based panels
- **Material & Finish Range:** Aluminum, Stainless Steel, and Steel options with architectural-grade coatings for long-term performance
- **Engineered Mounting Flexibility:** Field-proven attachment to columns, beams, walls, framing, and between floor slabs
- **Proven Performance:** Engineered systems meeting structural and environmental demands



FotoFacade Imaging

Metal Imaging. Unlimited Expression.

FotoFacade transforms architectural surfaces into large-scale metal art, converting photography, illustrations, and branded imagery into precision laser-cut metal panels. Engineered for facades, feature walls, and signature environments where identity and storytelling drive design.

Campus Identity & Education

Donor Walls & Memorial Facades

Branded Parking & Commercial

Public Art & Cultural Commissions

What Makes This Different

Every other cladding system asks: what pattern should this be? FotoFacade asks: what should this building say? It's the only system where the design decision is not about material or geometry — it's about meaning, memory, and identity.

Choose this system when:

- The project has a story to tell, institutional heritage, community identity, or brand narrative that belongs on the building
- The client wants something genuinely singular: no two FotoFacade installations are alike
- A standard pattern would be missed, the building needs presence, not just texture
- The owner is open to a design assist conversation about what image or artwork to commission

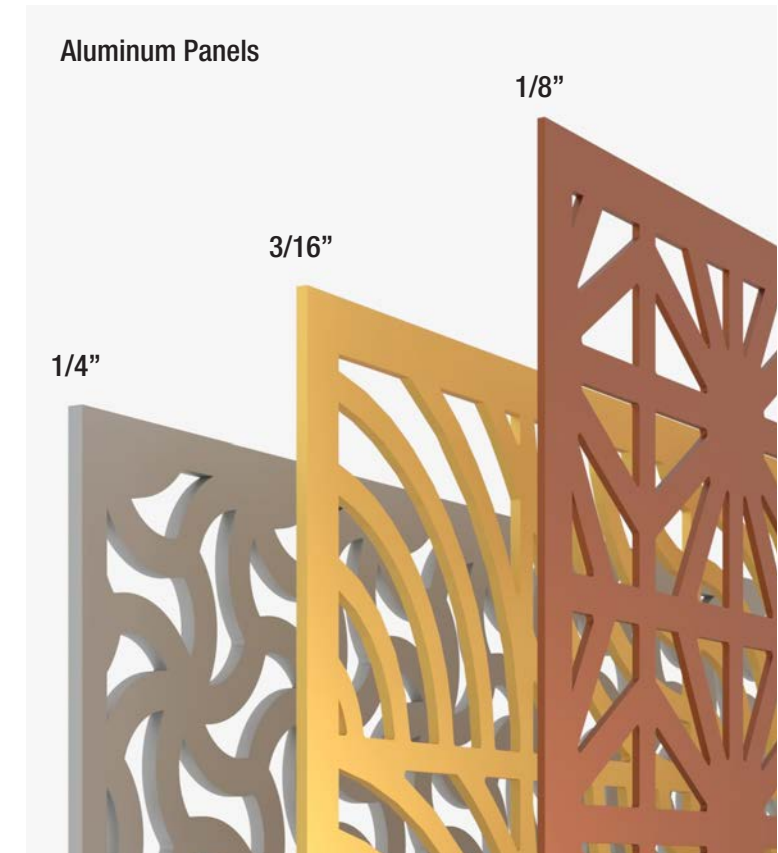
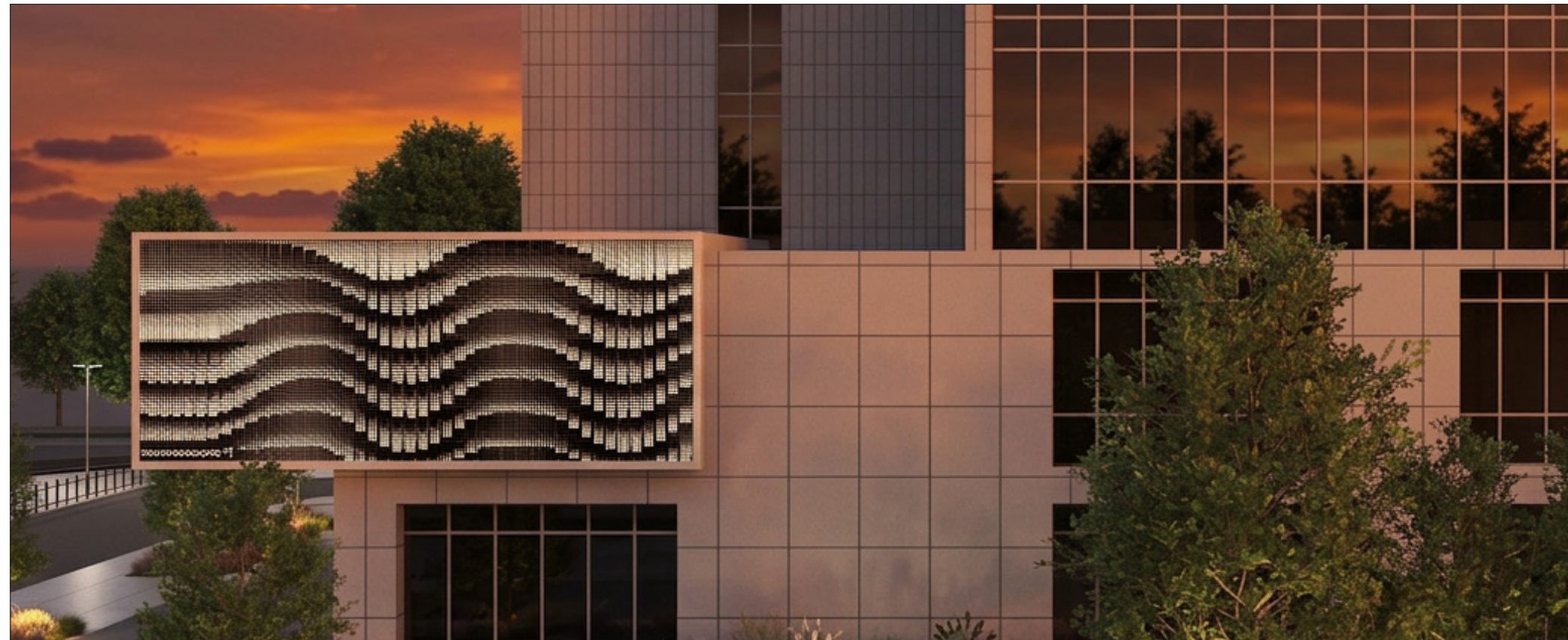




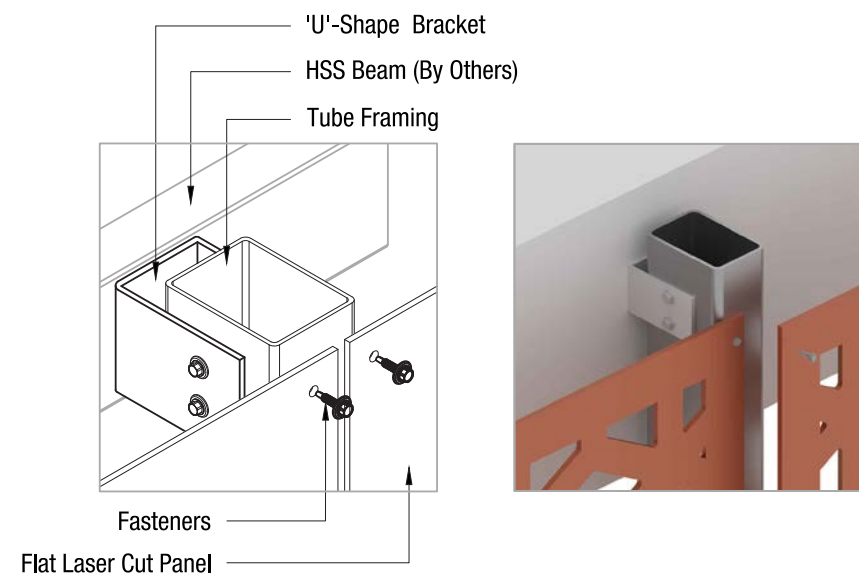
APPLICATION	PANEL TYPE	STANDARD DIMENSIONS W X H (INCHES)	
Exposed Fasteners Interior	FLT - Flat	48	120
		36	96
		24	60
			48
		24	
Hidden Fasteners Interior Exterior - Low Wind Loads (< 30 PSI)	SF1 - Single Fold	44	116
		32	92
		26	56
			44
Hidden Fasteners Interior Exterior - Low Wind Loads (< 70 PSI)	SF2 - Double Fold	40	112
		28	88
		22	52
			40

MATERIAL	FINISH
Aluminum 1/8" Aluminum 3/16" Aluminum 1/4"	Powder Coat (AAMA 2604) \$ ² PVDF (AAMA 2605) \$\$ ¹
Stainless steel 14Ga	Brushed Satin, Glass Bead Satin Cross Hatch & Swirl
Steel 14Ga Steel 11Ga	Powder Coat w/ Zinc Rich Primer Mill Finish (paint by others)

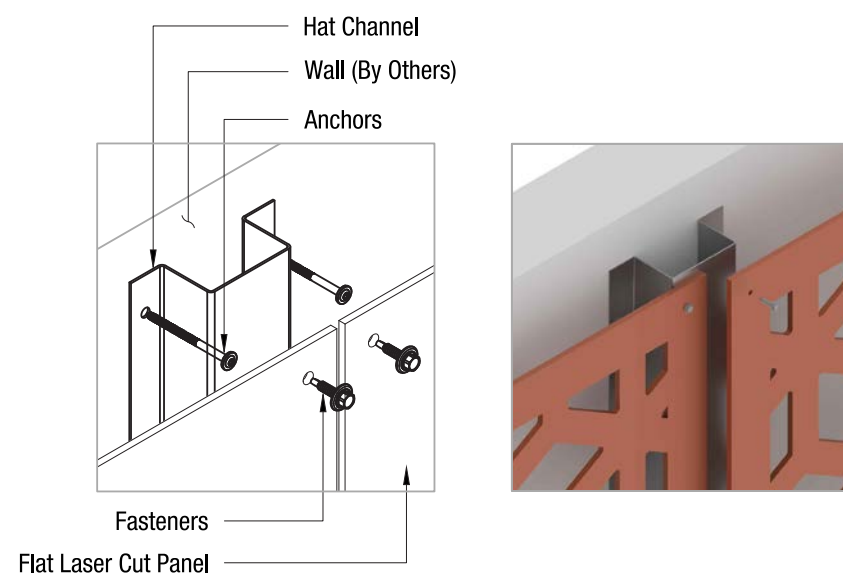
(1) Available as an Upgrade
(2) \$ to \$\$\$: Indicates finish type comparative cost.



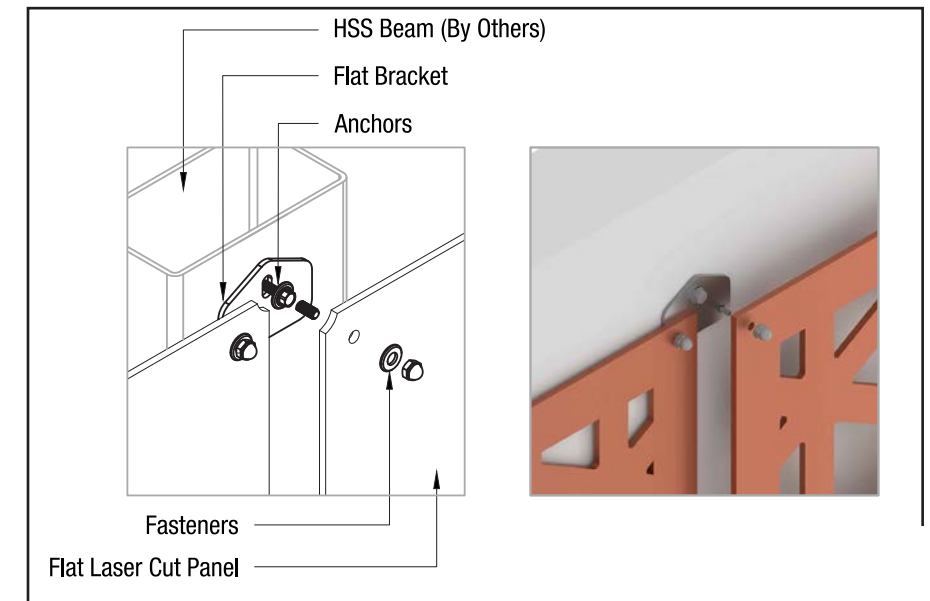
FLT - Flat - Mounting Options



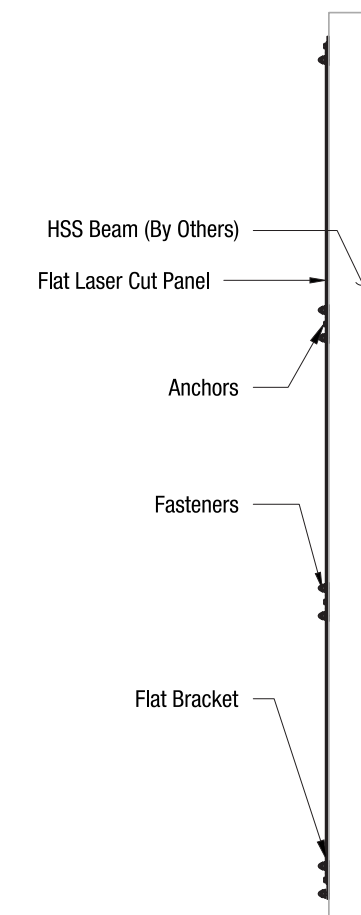
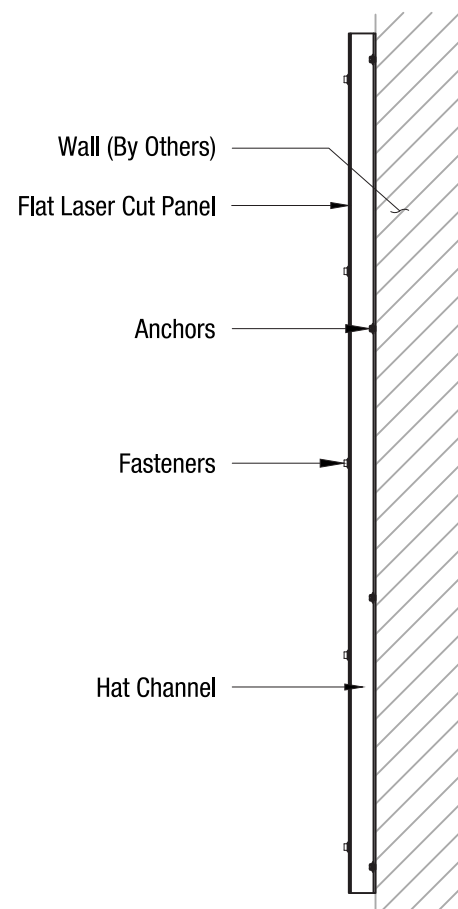
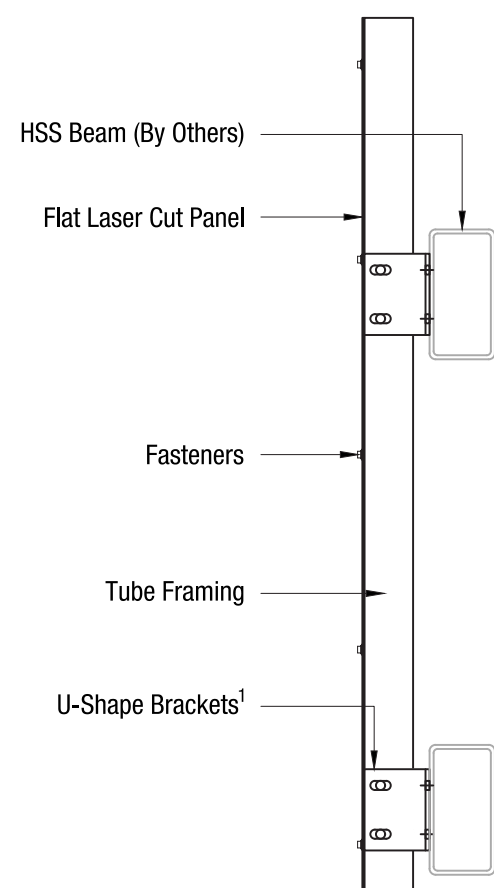
FLT-1 TO STEEL BEAM



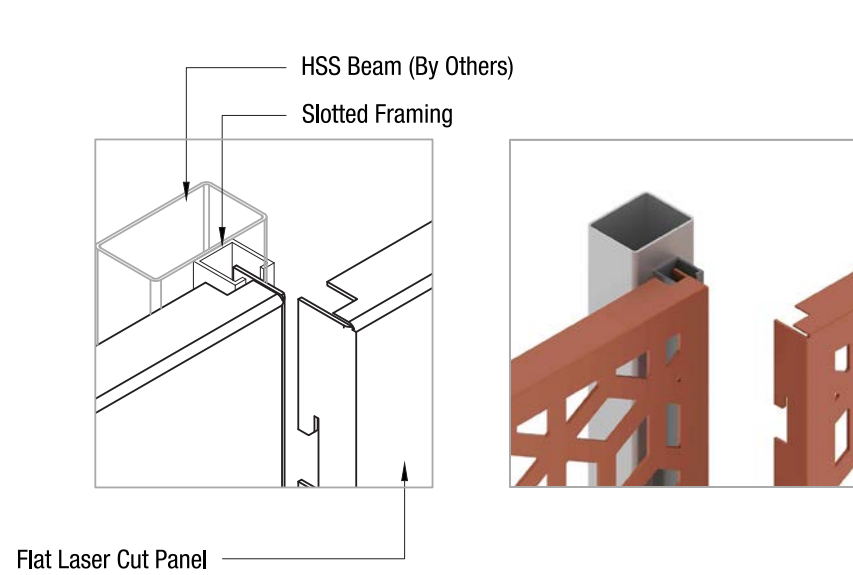
FLT-2 TO BUILDING STRUCTURE



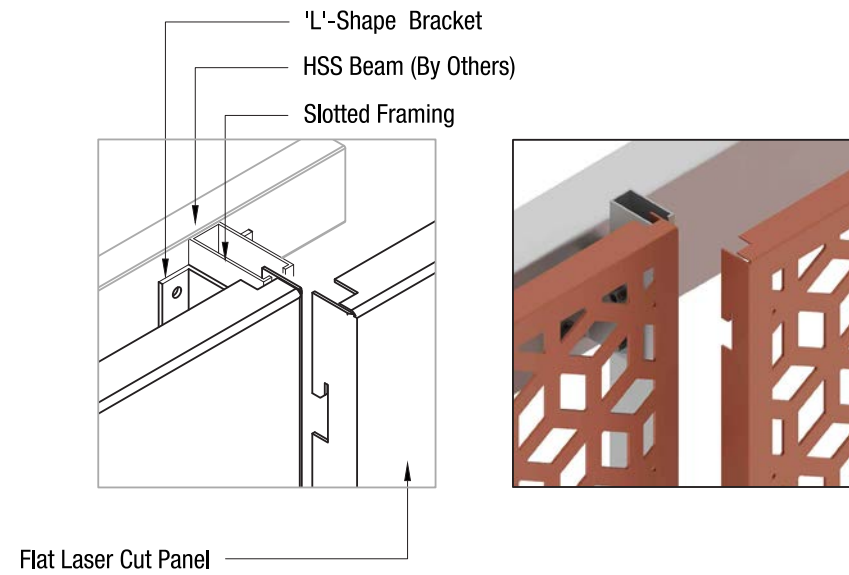
FLT-3 TO FRAMING



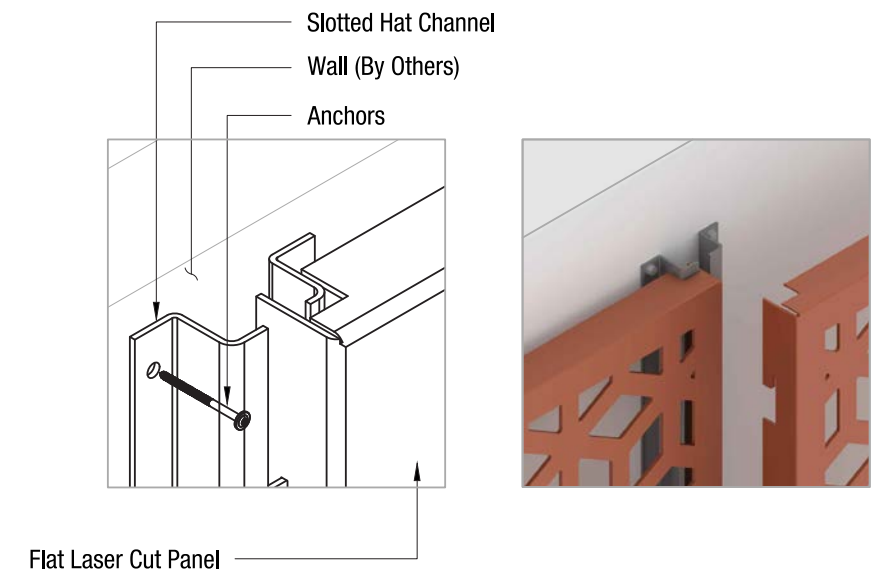
FD1 - Single Fold - Mounting Options (1 of 2)



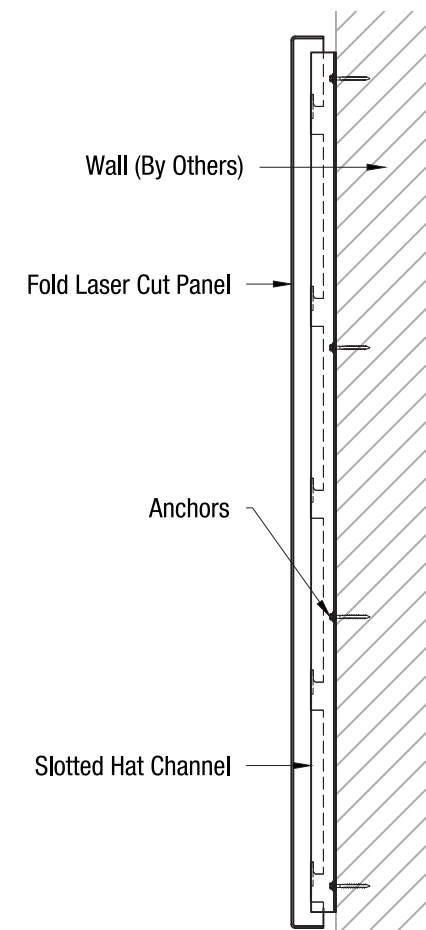
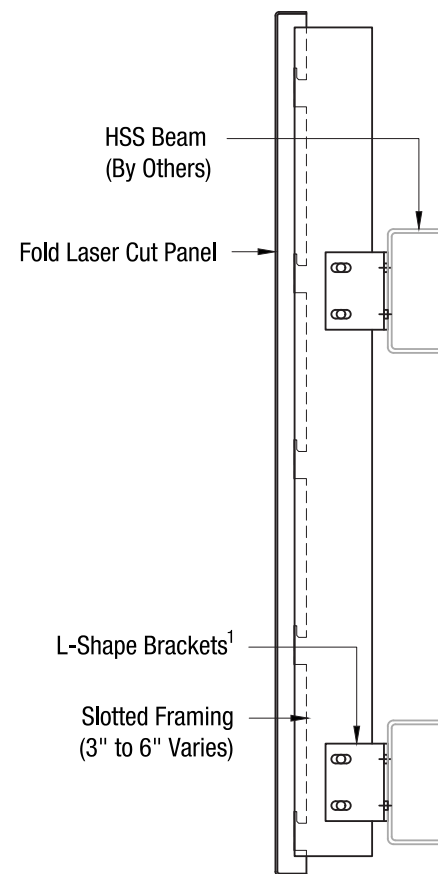
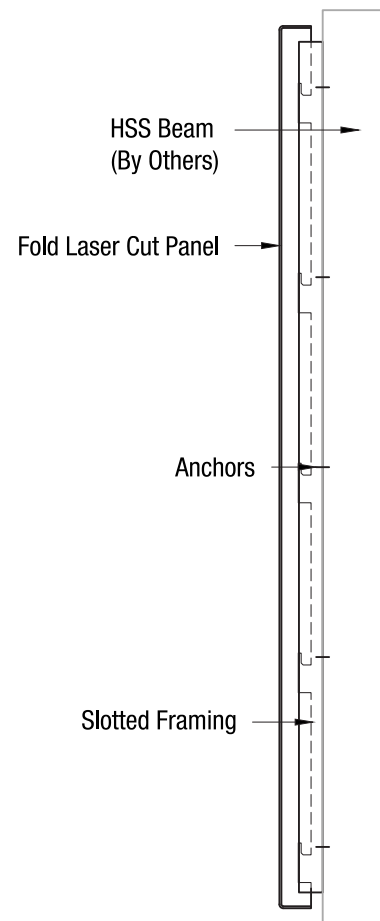
FD-1 TO STEEL COLUMN



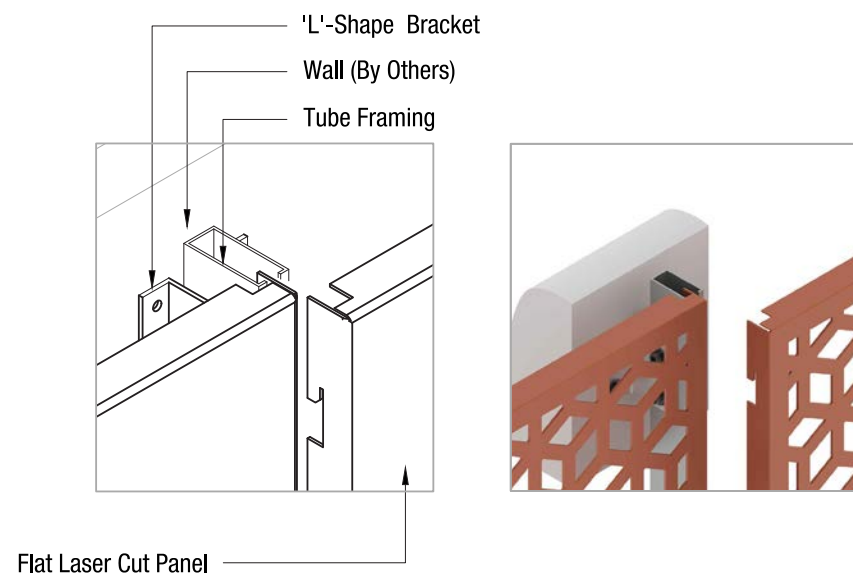
FDI - 2 TO STEEL BEAM



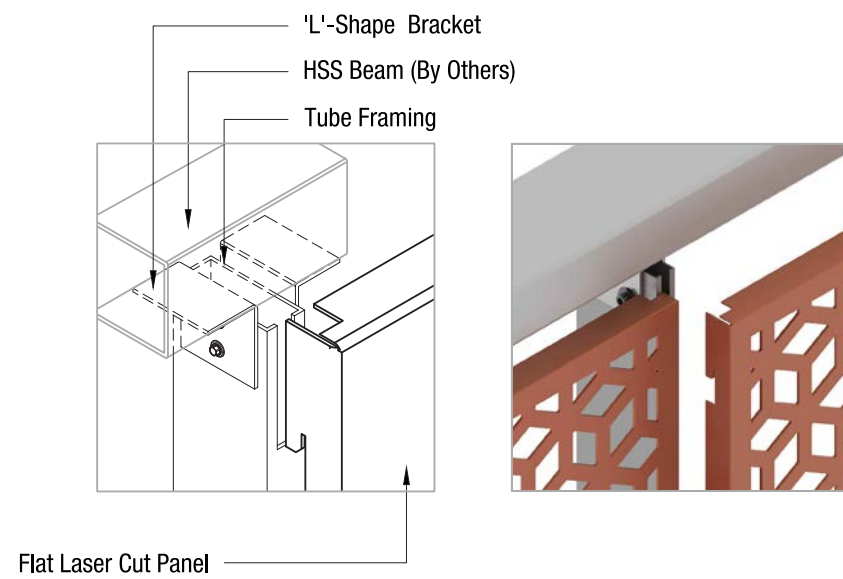
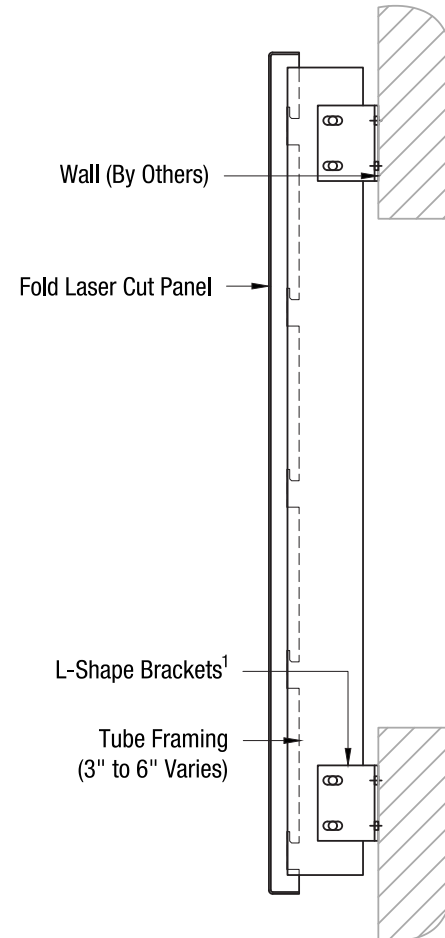
FD1-3 TO CONCRETE/DRYWALL



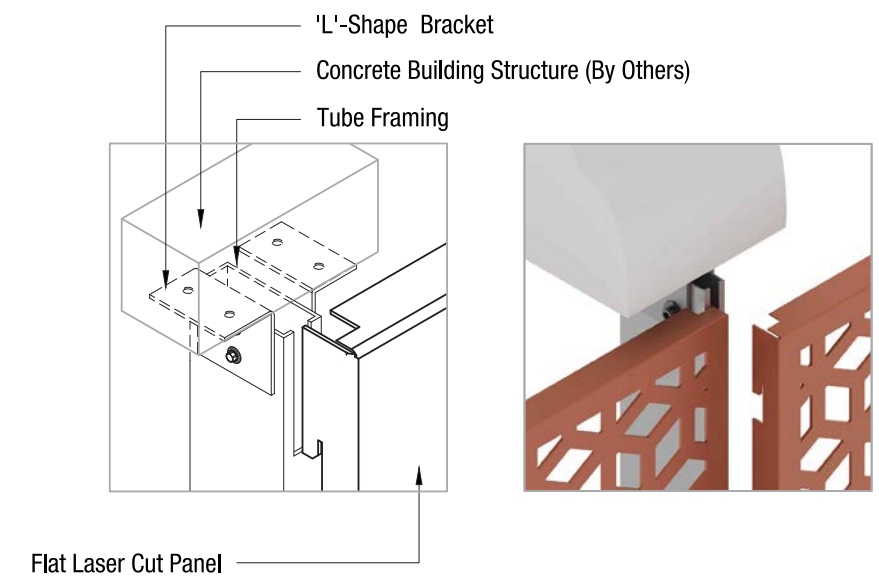
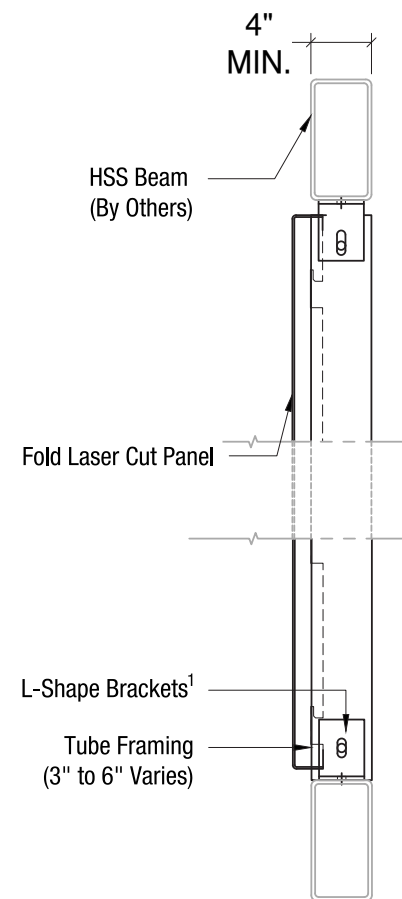
FD1 - Single Fold - Mounting Options (2 of 2)



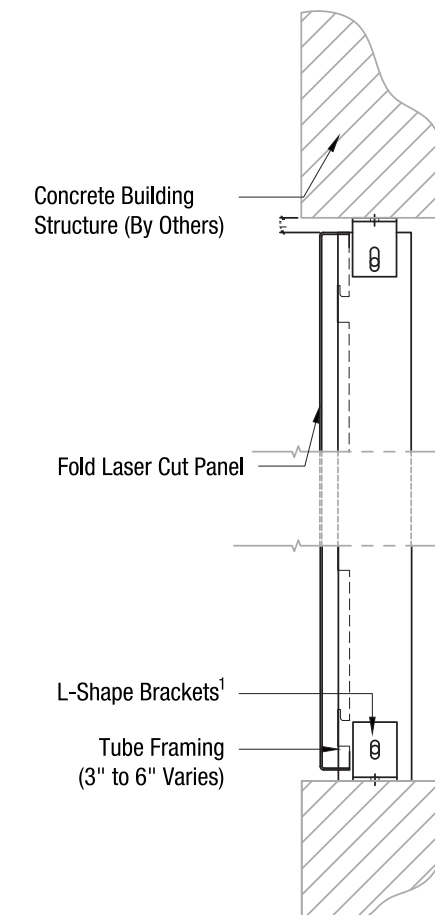
FD1-4 BETWEEN FLOOR LEVELS



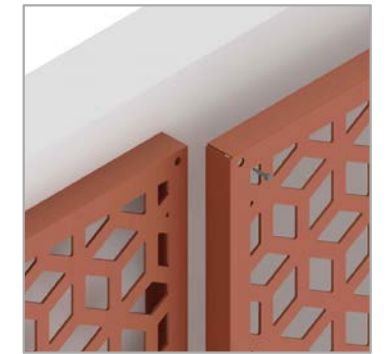
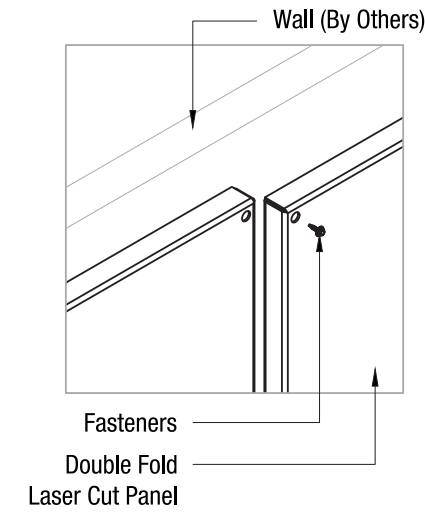
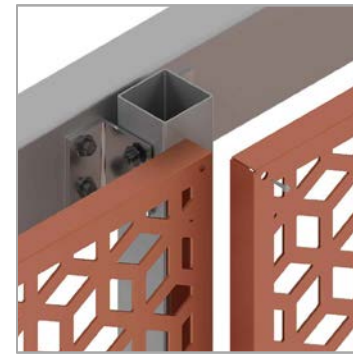
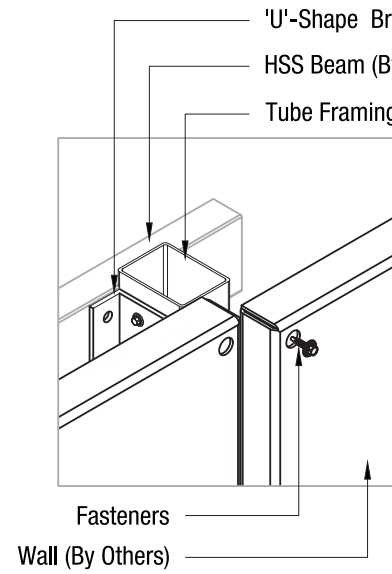
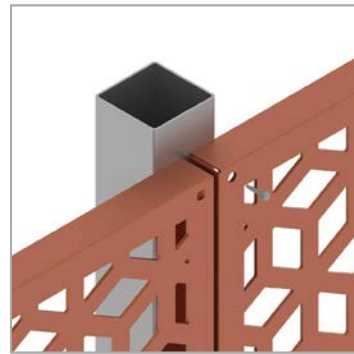
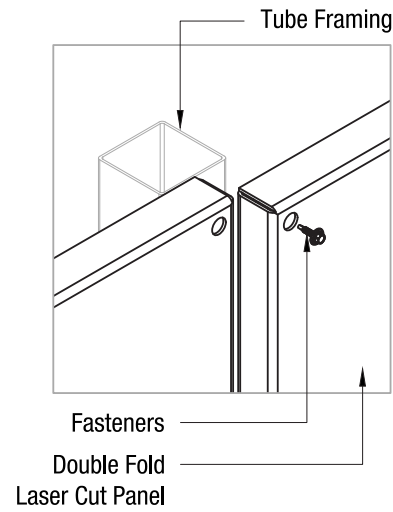
FD1-5 BETWEEN STEEL BEAM (INSET)



FD1-6 BETWEEN CONCRETE SLAB (INSET)



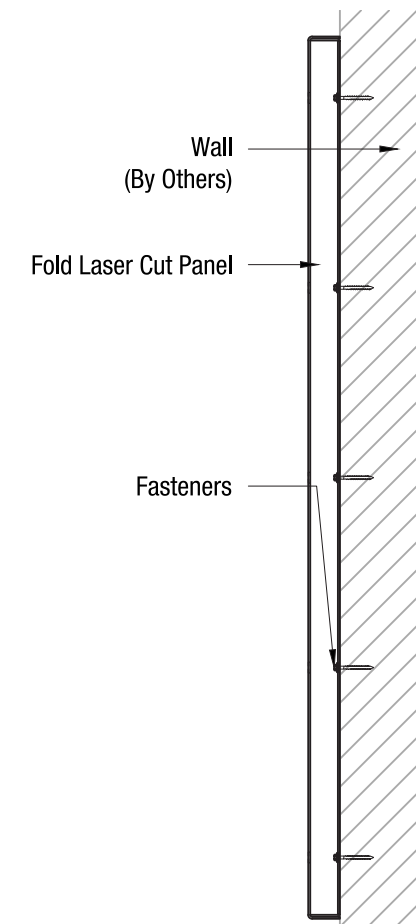
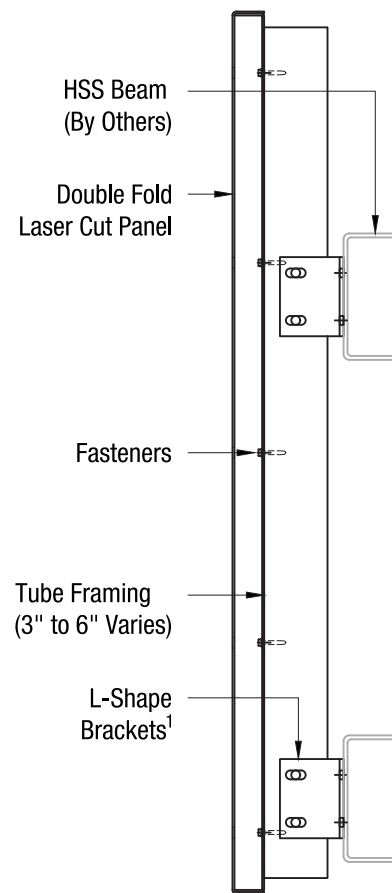
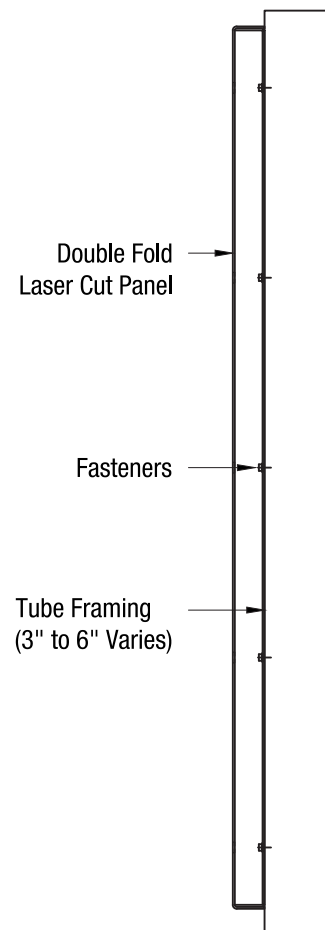
FD2 - Double Fold - Mounting Options (1 of 2)



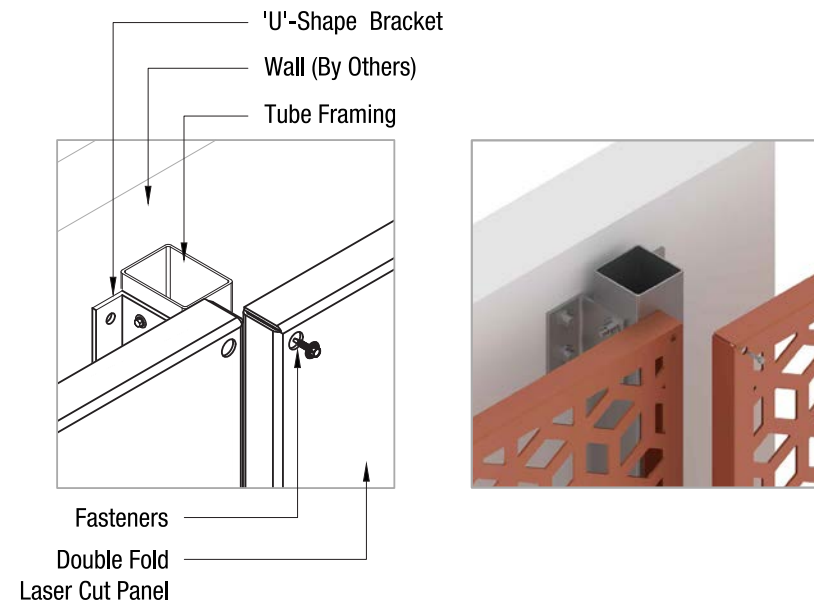
FD2-1 TO STEEL COLUMN

FD2-2 TO STEEL BEAM

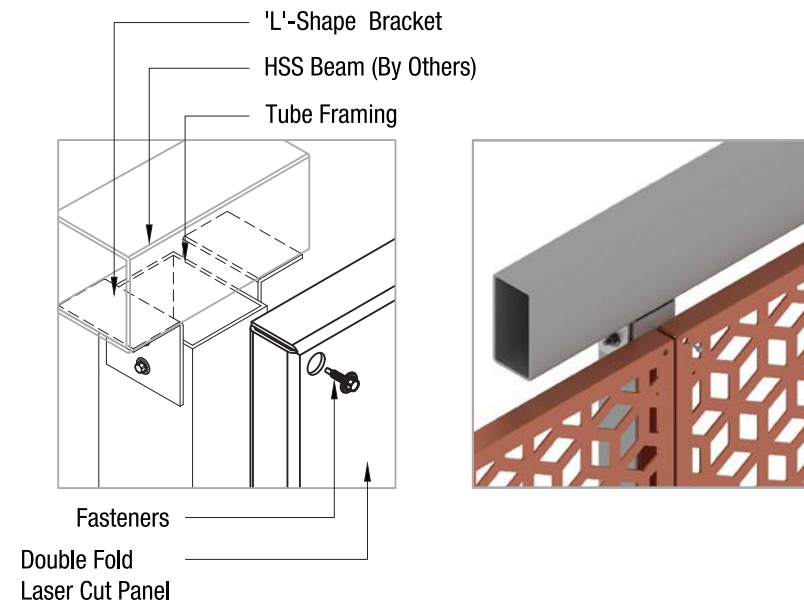
FD2-3 MOUNT TO WALL



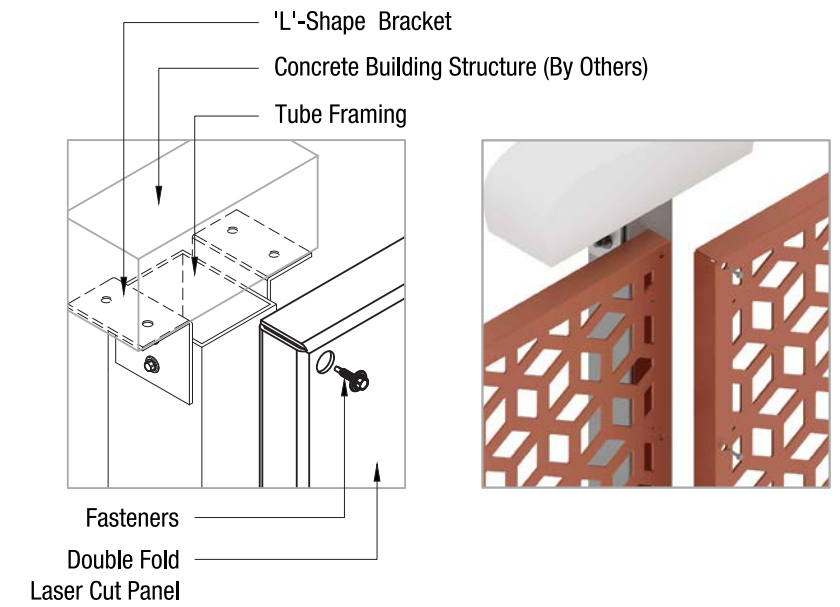
FD2 - Double Fold - Mounting Options (2 of 2)



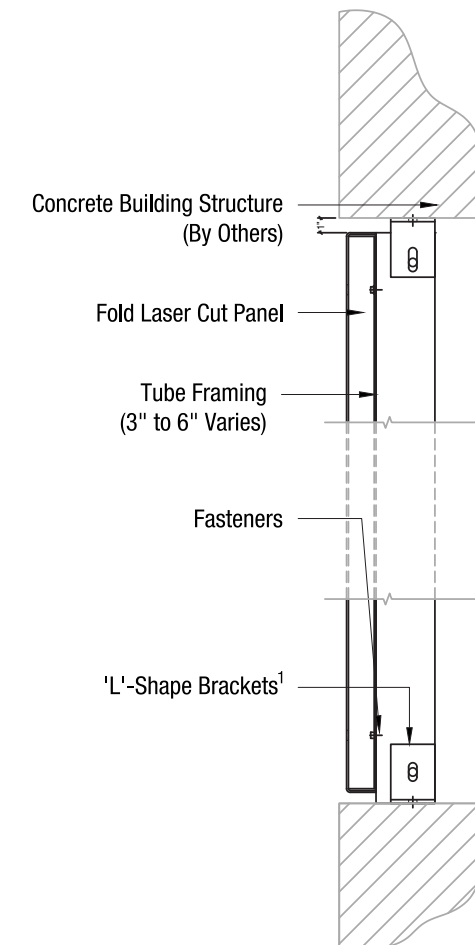
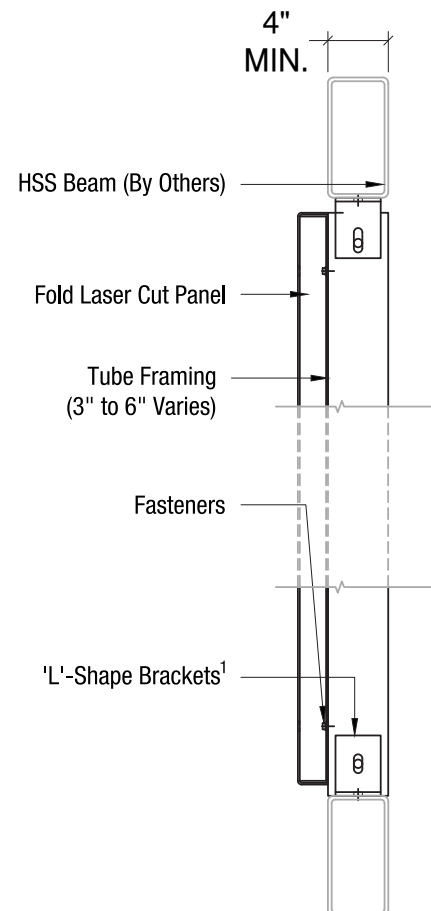
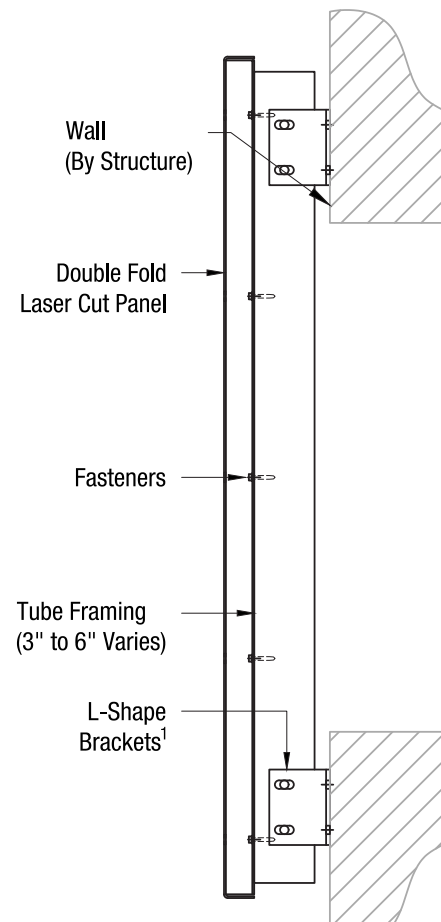
FD2-4 BETWEEN FLOOR LEVELS



FD2-5 BETWEEN STEEL BEAMS (INSET)



FD2-6 BETWEEN CONCRETE SLABS (INSET)





Custom imagery generated via proprietary software that manipulates individual hole sizes to render complex visual logos, branding, and photographic metal art.

01 INSPIRATION

Any image, logo, photo, or artwork



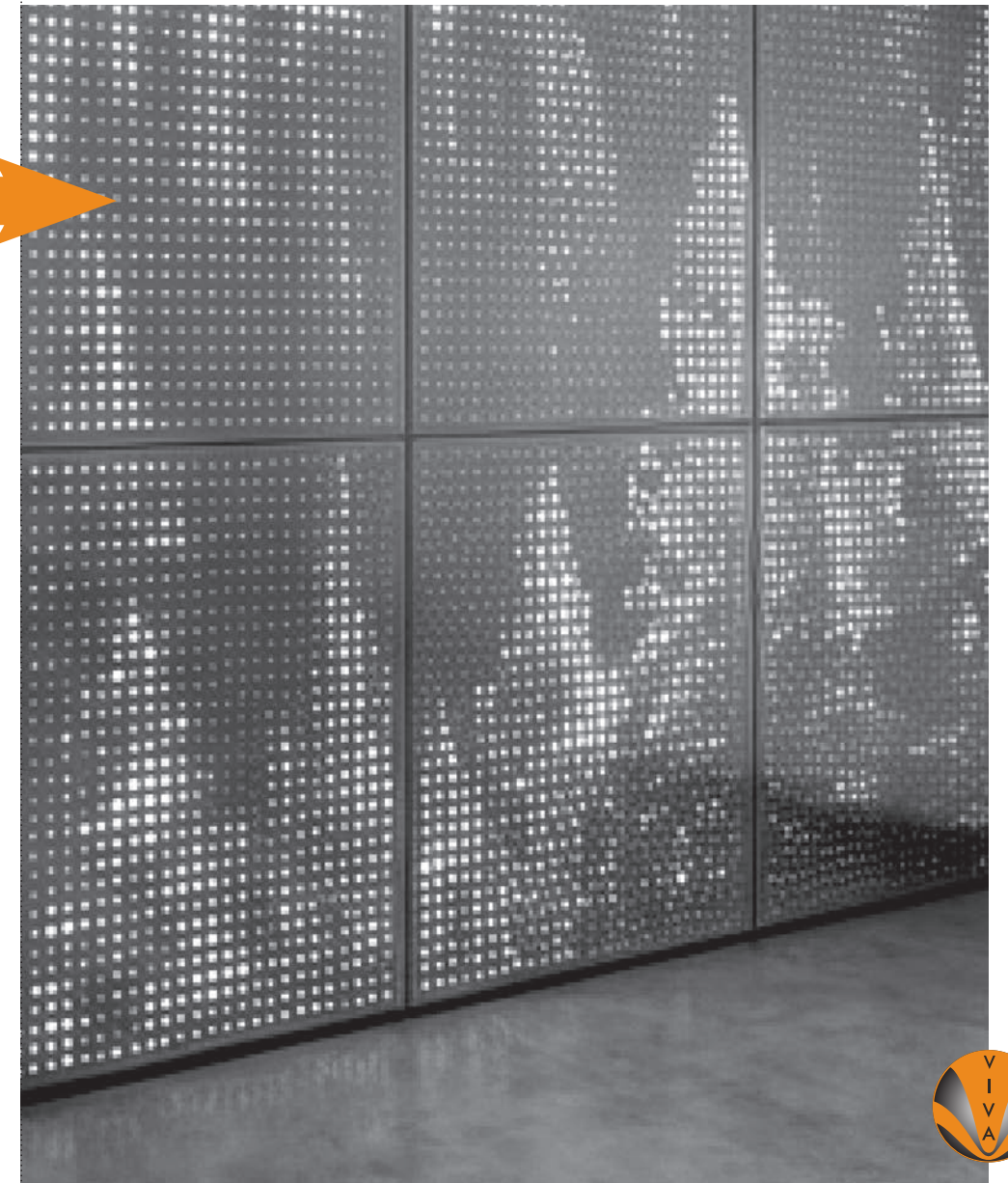
02 ALGORITHMIC CNC

Proprietary software maps grayscale values to hole sizes



03 FOTOFACADE PANEL

Perforated metal renders the image across the facade





KINGWOOD HIGH SCHOOL

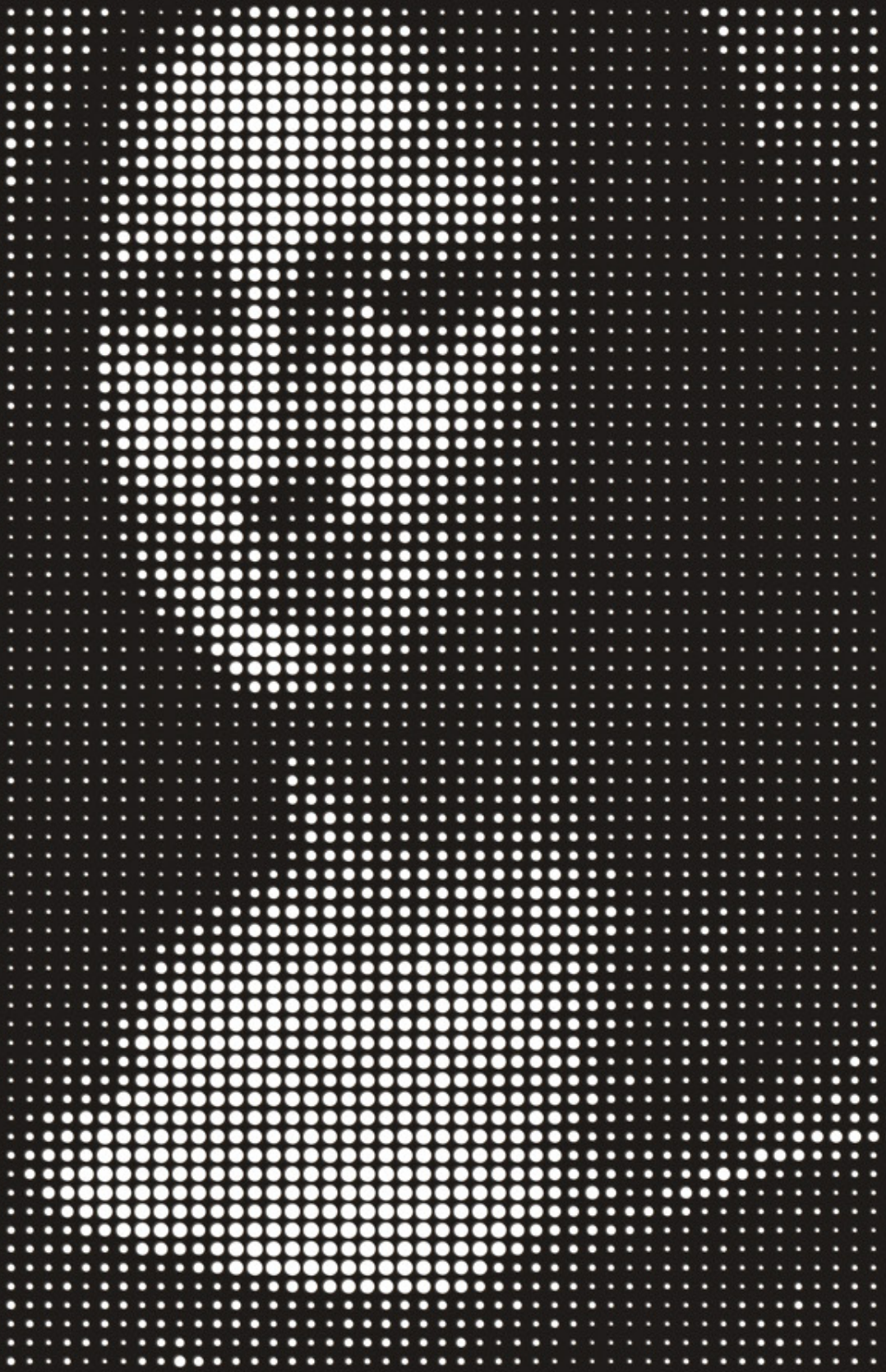
KINGWOOD HIGH SCHOOL - KINGWOOD, TX

General Contractor: Flintco, LLC

Architect: PBK Architects Inc.



FotoFacade - Metal Art & Imaging



MU



Pattern Collections

Where Performance Meets Personality

At MetalSpaces, we know that WallScapes are more than functional barriers—they are expressive design elements that shape the identity of a space. Our curated pattern categories are tailored for wall applications requiring both aesthetic strength and technical excellence:

Primary

Crisp, modern, and minimal — these linear patterns add structure and repetition to building exteriors.

Geometric

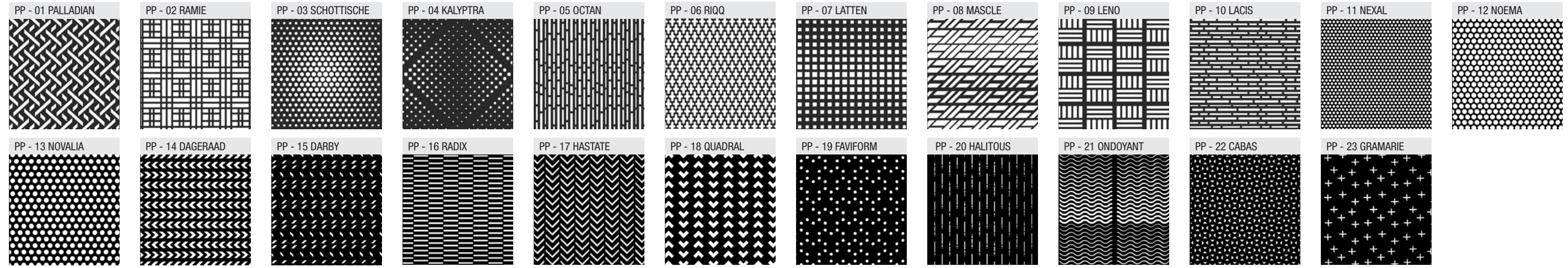
Symmetrical, tessellated designs that bring rhythm and movement to facades.

Organic

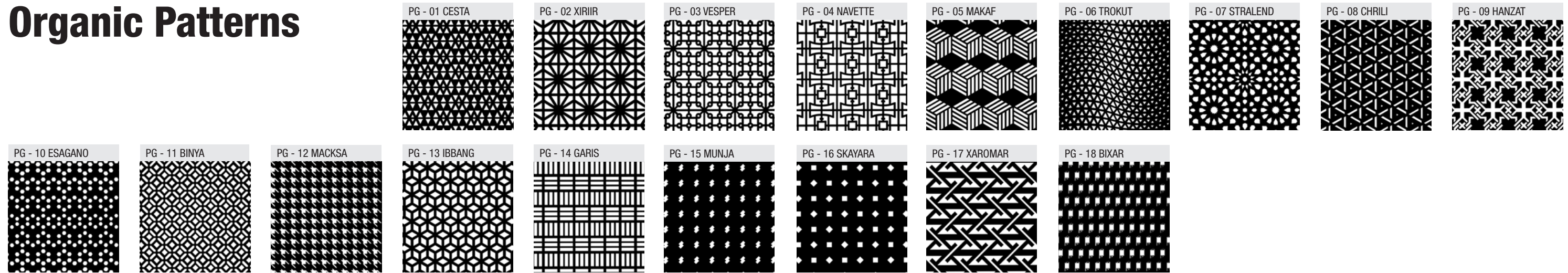
Soft, flowing forms that evoke nature. A biophilic touch in even the most urban environments.



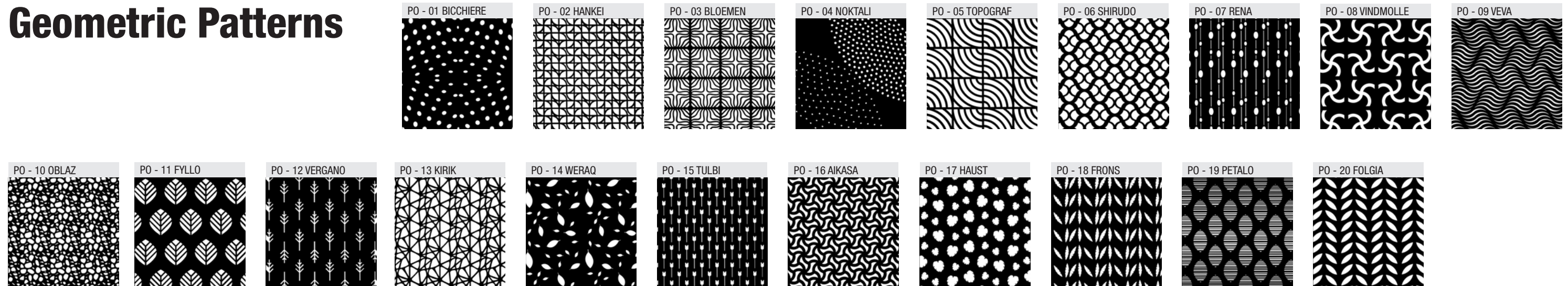
Primary Patterns



Organic Patterns



Geometric Patterns





FOGO DE CHAO - SCHLAUMBURG, IL
General Contractor: Gallant Buildings Solution
Architect: SGA Design Group



WILDBERRY CAFE
General Contractor: VDR Development Group
Architect: AGN Design



ROCKDALE ISD ELEMENTARY - ROCKDALE, TX
General Contractor: Perry + Perry Builders
Architect: Corgan Associates



STEPHEN TERRELL REC CENTER - ALLEN, TX
General Contractor: Adolfsen & Peterson
Architect: Barker Rinker Seacat Architecture.



DESIGN + ENGINEER + FABRICATE + INSTALL

151 W. Vista Ridge Mall Dr. Lewisville, TX 75067

(Dallas/Fort Worth Metroplex)

PH: 972.353.8482 | info@vivarailings.com
vivarailings.com



Inc. Magazine 500 | 5000
 VIVA RAILINGS, LLC.
 Among The Fastest Growing
 US Companies
 Eight Years in a Row
2012-2019



Inc. Magazine 500 | 5000
 VIVA RAILINGS, LLC.
 Among The Fastest Growing
 Texas Companies
#211



ICC-ES 4405 Certified
SHOE™
 Structural Glass Railing System



LEED
 Material & Resources Credits 4.1 and 4.2



The American Institute of Architects



The California Contractors State License
 Board Certified

