



# WallScapes

Turnkey Architectural Wall Systems. Engineered to Perform

**METAL**  
SPACES  
A division of Viva Railings, LLC.



**VIVA RAILINGS**  
LEADERS IN ARCHITECTURAL RAILING SYSTEMS



# System Overview



**Engineered laser-cut panel and screen systems for signature facades and complex installations**

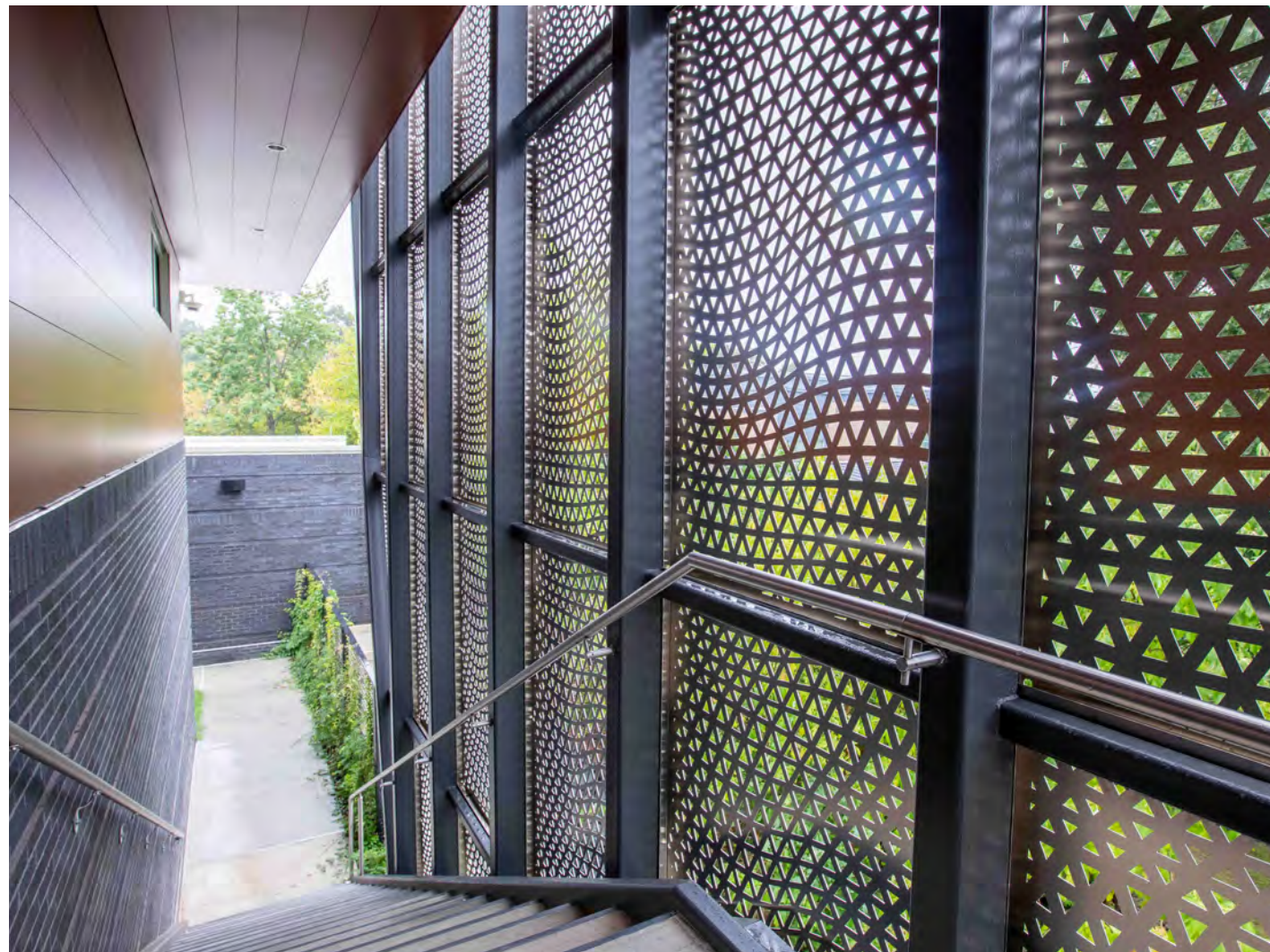


**CSI Division: 07 42200 – Custom Wall Panels**



**Delivery Model: Turnkey (primary) or supply-only**

A fully integrated wall panel system for facades and feature walls, combining custom design, engineering, fabrication, and optional installation. WallScapes designs are achieved through standard patterns, custom laser-cut solutions, or FotoFacade™ Metal Imaging Systems, enabling visually distinctive, high-performance surfaces across exterior and interior applications.



## APPLICATIONS



**Exterior Facades:** laser-cut cladding for commercial, hospitality, institutional, and mixed-use projects



**Wall Screen Systems:** Parking garages, mechanical wells, rooftop equipment screening



**Interior feature walls:** lobbies, atriums, and signature corridors



**Storytelling / Branded Environments:** FotoFacade™ for cultural, civic, healthcare, and corporate spaces



**Inset / Between-Structure Installs:** Facade screens between floor slabs, steel beams, concrete slabs



## KEY FEATURES

- **True Turnkey Delivery:** Single-source design, engineering, fabrication, and optional installation
- **Unlimited Design Expression:** Standard pattern library, custom laser-cut solutions, and FotoFacade™ image-based panels
- **Material & Finish Range:** Aluminum, Stainless Steel, and Steel options with architectural-grade coatings for long-term performance
- **Engineered Mounting Flexibility:** Field-proven attachment to columns, beams, walls, framing, and between floor slabs
- **Proven Performance:** Engineered systems meeting structural and environmental demands

# Which System Is Right for Your Project?

WallScapes offers two complementary systems:



## Standard & Custom Patterns

### Laser-Cut Panel Systems

The pattern system gives architects full design control, from a curated library of 60+ proven patterns to fully bespoke geometry drawn to your specifications. Every installation is a design decision, not a default.

<b>Parking Structures</b>	<b>Civic &amp; Institutional</b>
<b>Hospitality &amp; Retail</b>	<b>Landscape &amp; Privacy</b>
<b>Mixed-Use &amp; Commercial</b>	<b>Healthcare &amp; Research</b>

#### Design Intent

The pattern becomes the architecture. Whether you select from the standard library or develop a custom geometry unique to this project, the panel system translates two-dimensional drawing intent into a permanent, full-scale built element.

#### Choose this system when:

- The facade needs visual texture, rhythm, or depth without additional structural complexity
- You want a pattern from the standard library specified fast, or a custom geometry developed with our design team
- The project brief calls for light filtration, solar screening, or controlled transparency
- Value engineering is likely and you need a system that holds its design quality at reduced scope

## FotoFacade

### Metal Art & Imaging System

FotoFacade turns any image: a photograph, a logo, a piece of commissioned artwork, into a full-scale perforated metal facade. The building itself becomes the canvas. No paint, no film, no fading. Permanent metal, fabricated to photographic resolution.

<b>Campus Identity &amp; Education</b>	<b>Branded Parking &amp; Commercial</b>
<b>Donor Walls &amp; Memorial Facades</b>	<b>Public Art &amp; Cultural Commissions</b>

#### What Makes This Different

Every other cladding system asks: what pattern should this be? FotoFacade asks: what should this building say? It's the only system where the design decision is not about material or geometry — it's about meaning, memory, and identity.

#### Choose this system when:

- The project has a story to tell, institutional heritage, community identity, or brand narrative that belongs on the building
- The client wants something genuinely singular: no two FotoFacade installations are alike
- A standard pattern would be missed, the building needs presence, not just texture
- The owner is open to a design assist conversation about what image or artwork to commission

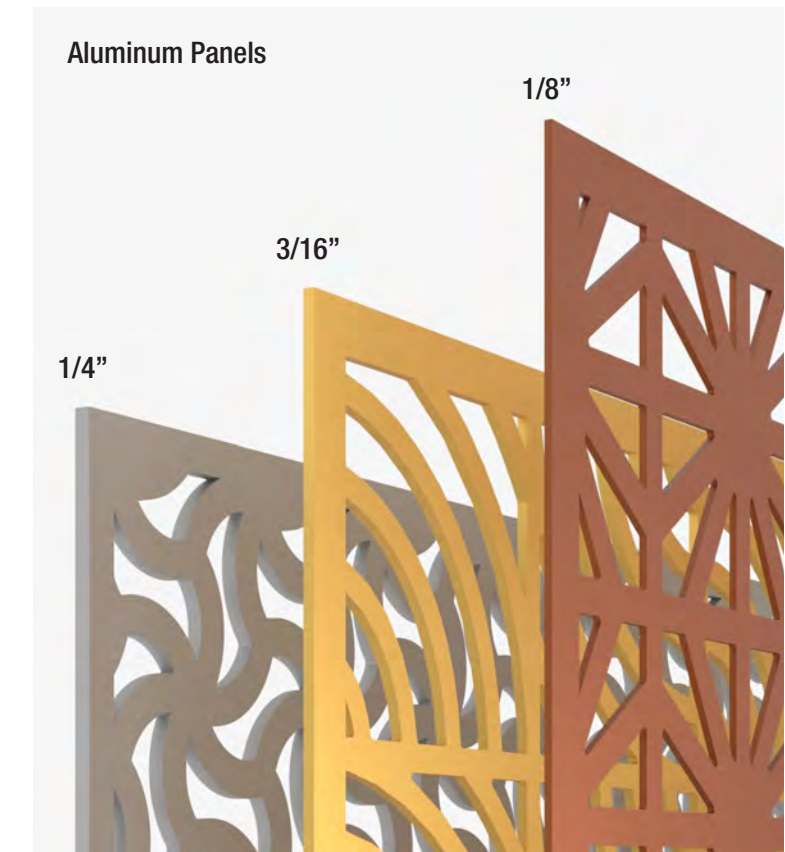




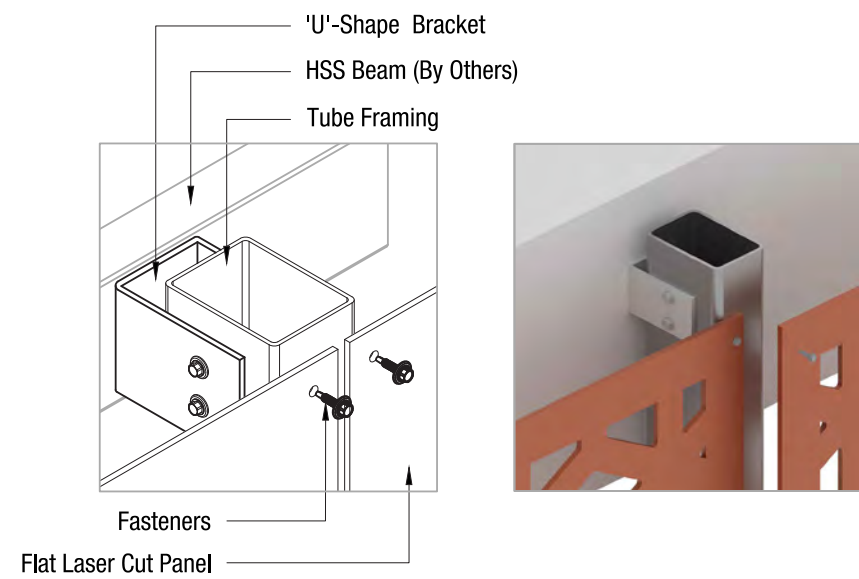
APPLICATION	PANEL TYPE	STANDARD DIMENSIONS W X H (INCHES)	
Exposed Fasteners Interior	FLT - Flat	48	120
		36	96
		24	60
			48
		24	
Hidden Fasteners Interior Exterior - Low Wind Loads (< 30 PSI)	SF1 - Single Fold	44	116
		32	92
		26	56
			44
Hidden Fasteners Interior Exterior - Low Wind Loads (< 70 PSI)	SF2 - Double Fold	40	112
		28	88
		22	52
			40

MATERIAL	FINISH
Aluminum 1/8" Aluminum 3/16" Aluminum 1/4"	Powder Coat (AAMA 2604) \$ <sup>2</sup> PVDF (AAMA 2605) \$\$ <sup>1</sup>
Stainless steel 14Ga	Brushed Satin, Glass Bead Satin Cross Hatch & Swirl
Steel 14Ga Steel 11Ga	Powder Coat w/ Zinc Rich Primer Mill Finish (paint by others)

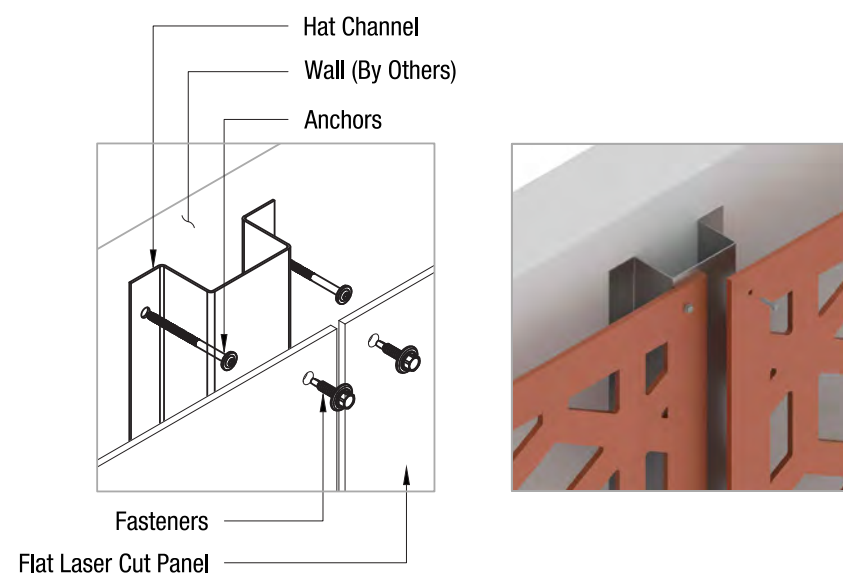
(1) Available as an Upgrade  
(2) \$ to \$\$\$: Indicates finish type comparative cost.



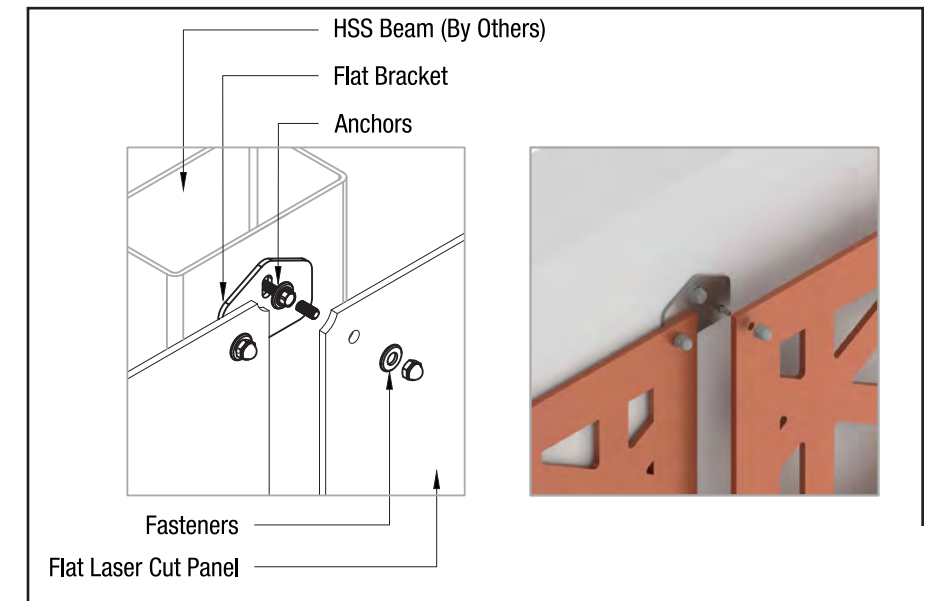
# FLT - Flat - Mounting Options



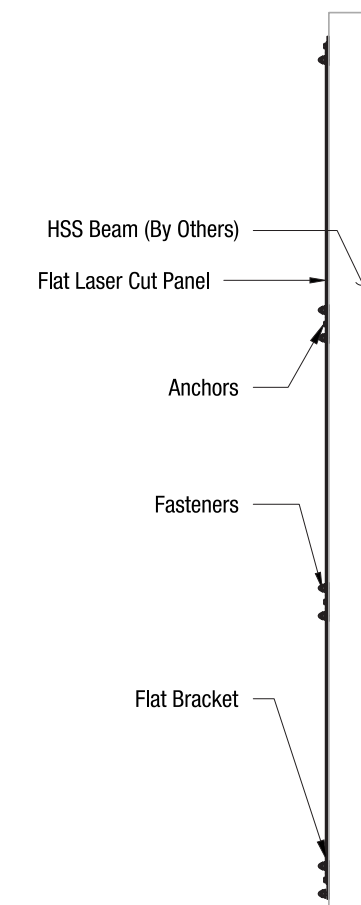
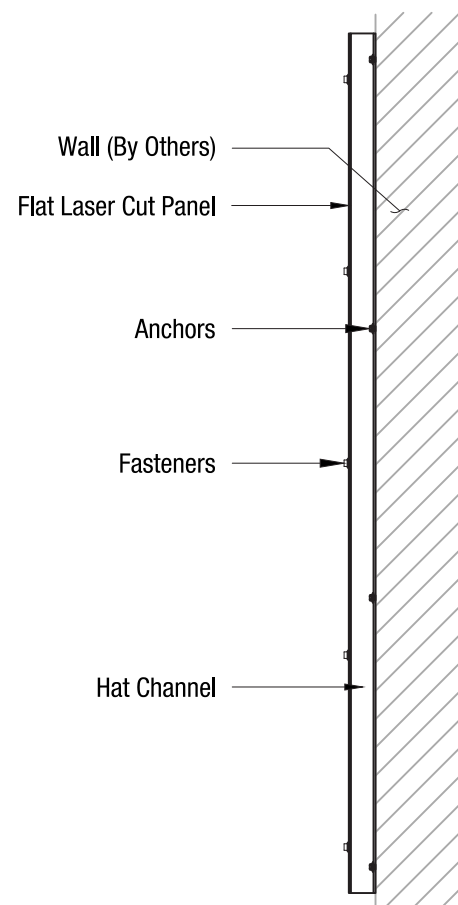
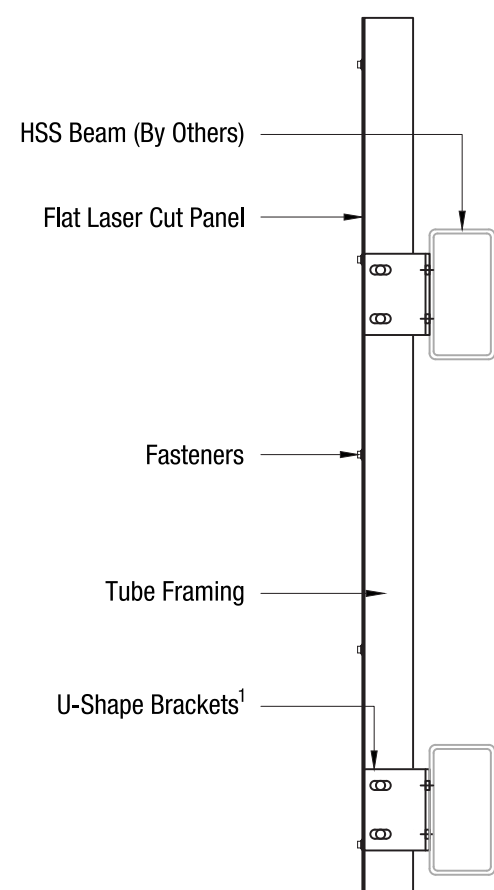
FLT-1 TO STEEL BEAM



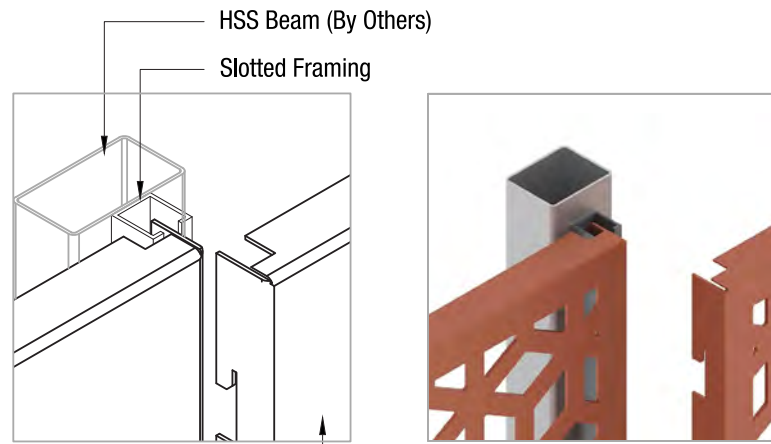
FLT-2 TO BUILDING STRUCTURE



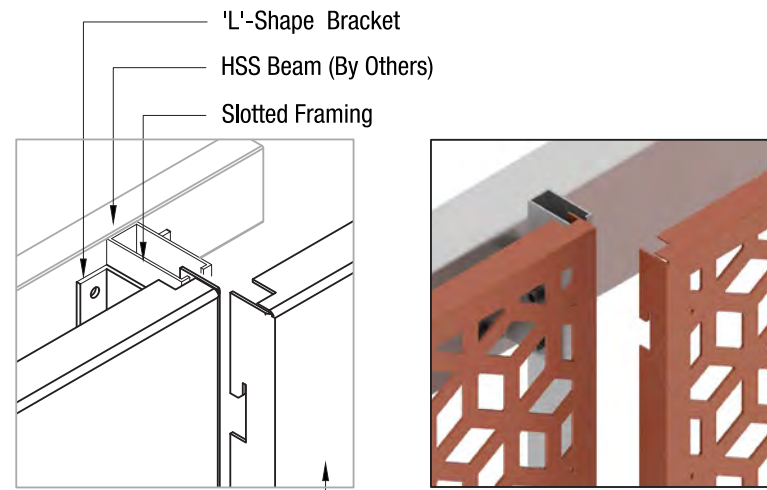
FLT-3 TO FRAMING



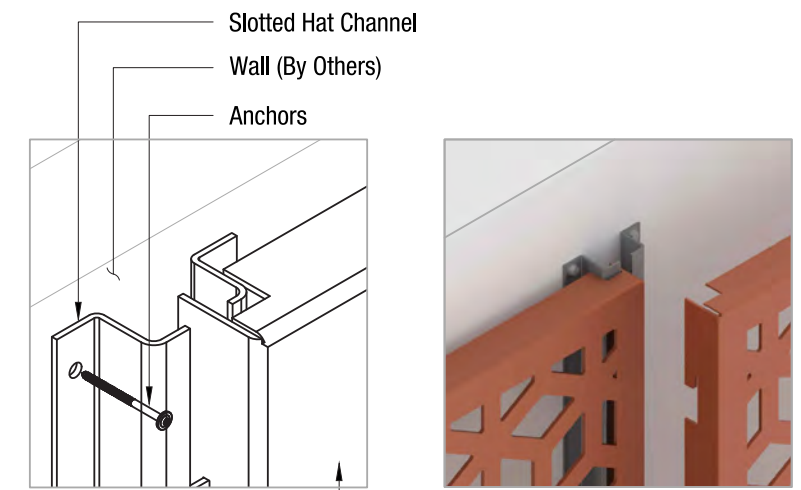
# FD1 - Single Fold - Mounting Options (1 of 2)



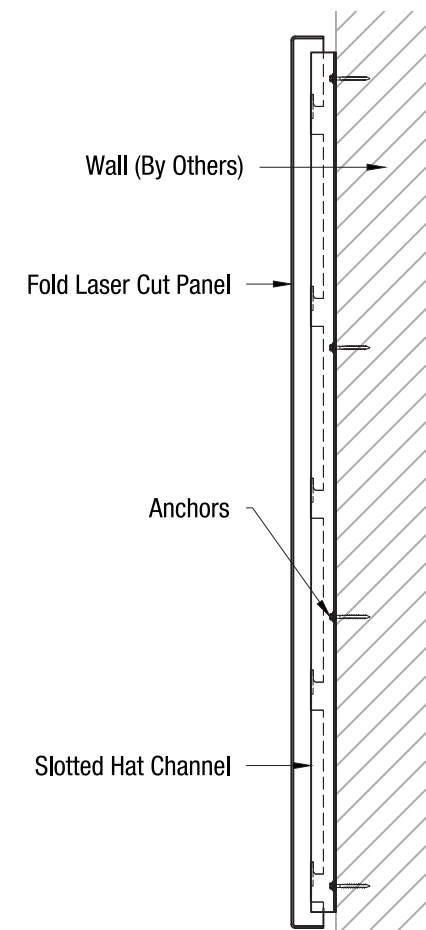
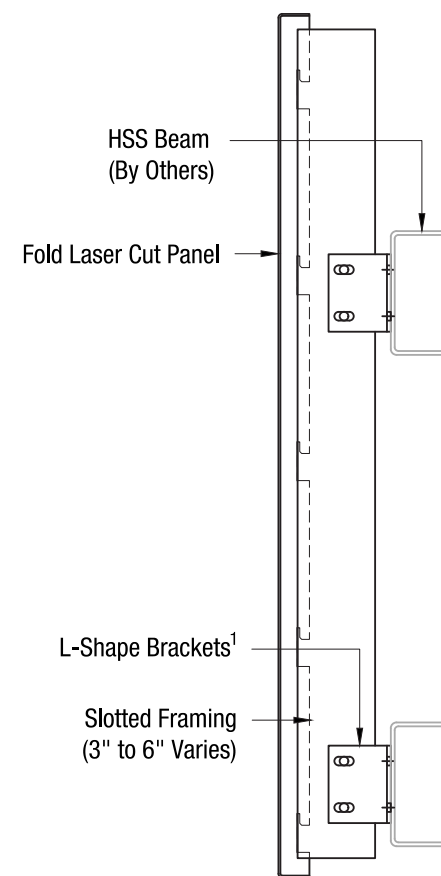
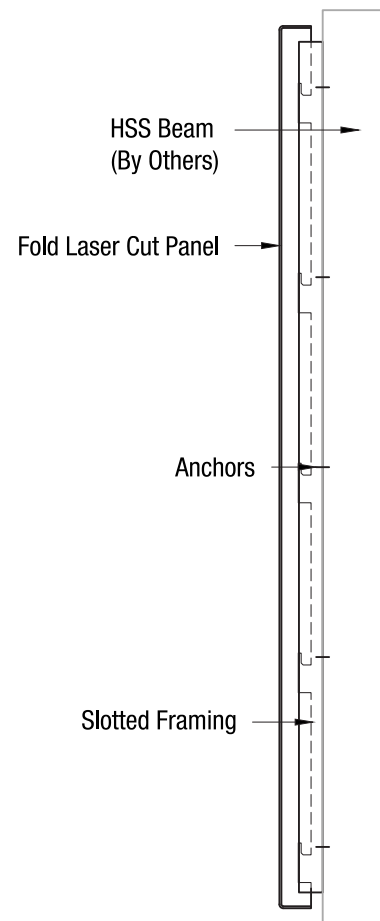
FD-1 TO STEEL COLUMN



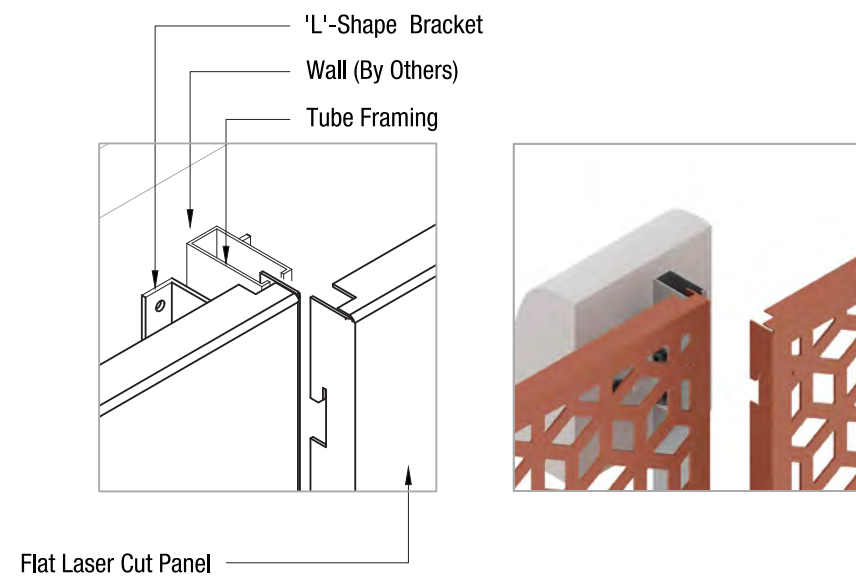
FDI - 2 TO STEEL BEAM



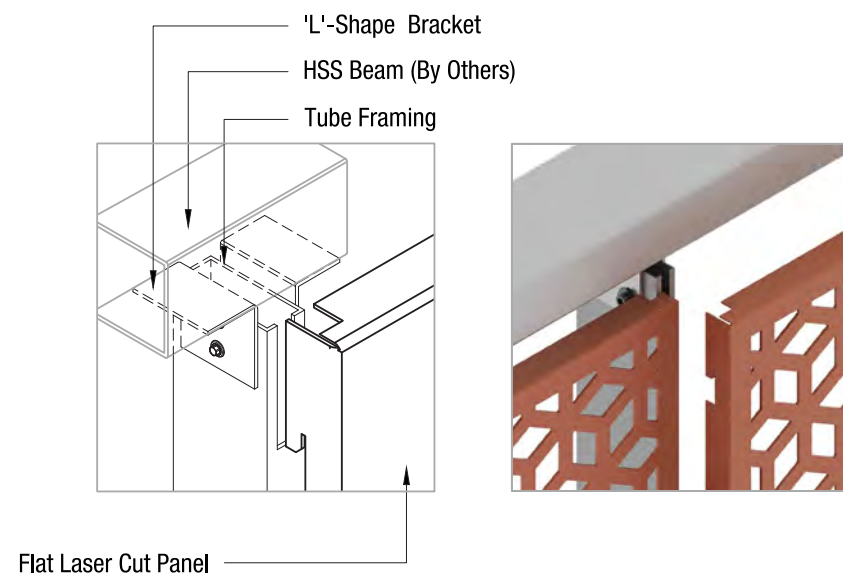
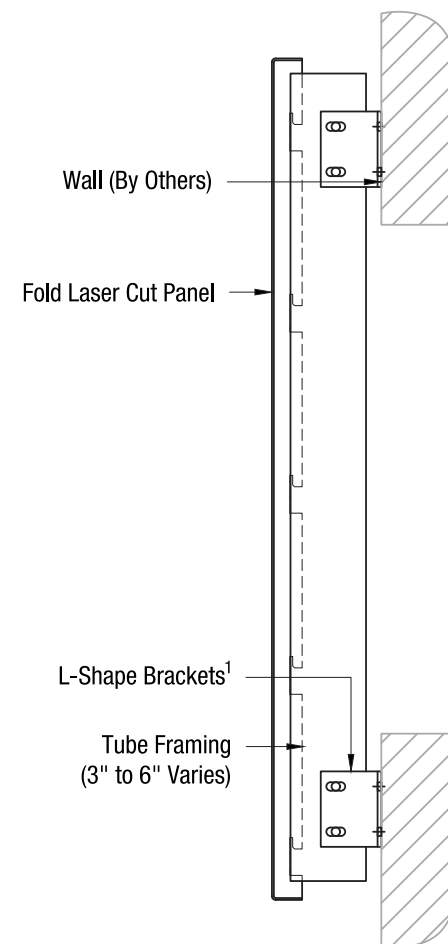
FD1-3 TO CONCRETE/DRYWALL



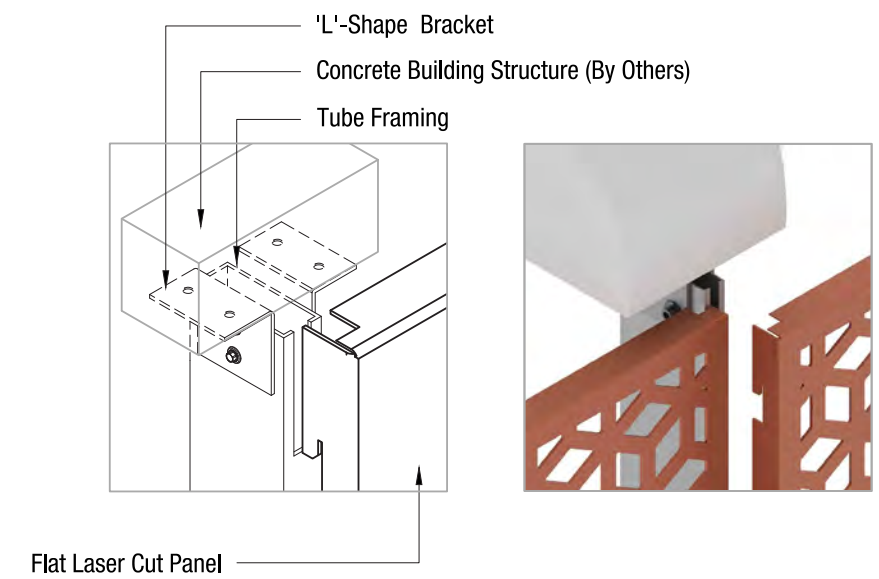
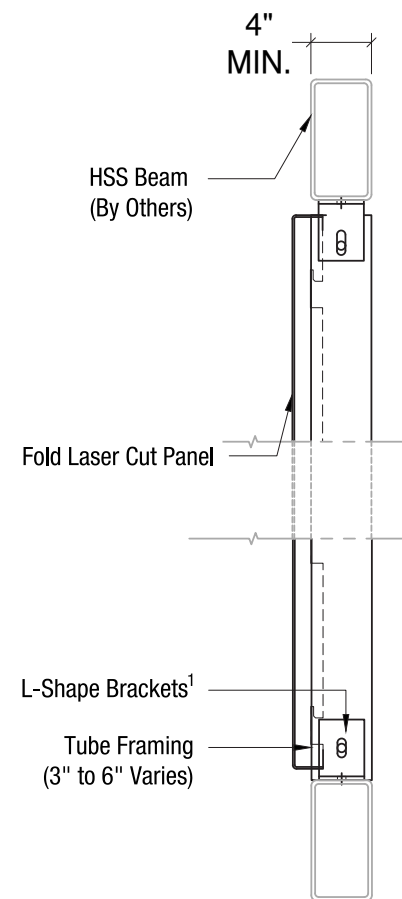
# FD1 - Single Fold - Mounting Options (2 of 2)



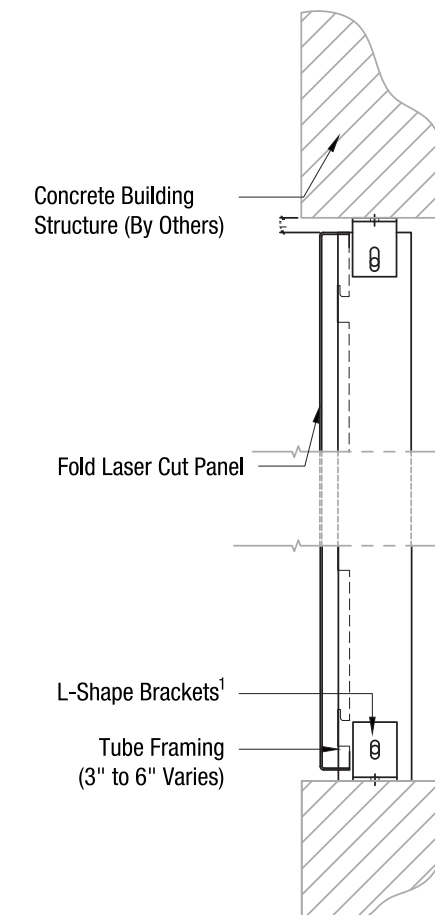
FD1-4 BETWEEN FLOOR LEVELS



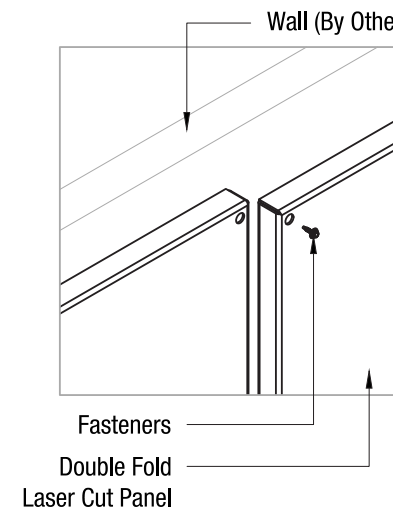
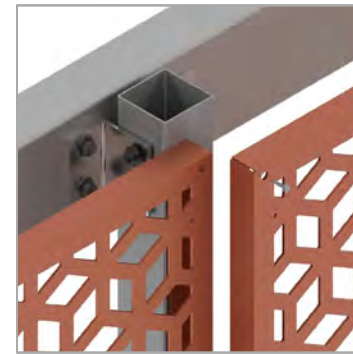
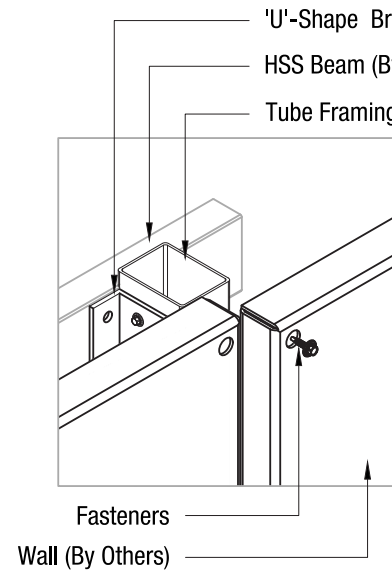
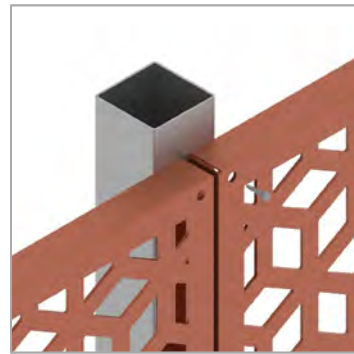
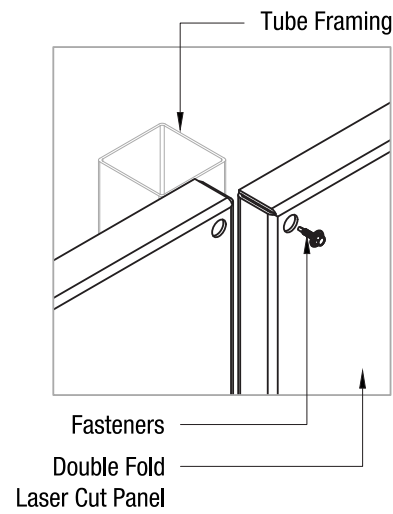
FD1-5 BETWEEN STEEL BEAM (INSET)



FD1-6 BETWEEN CONCRETE SLAB (INSET)



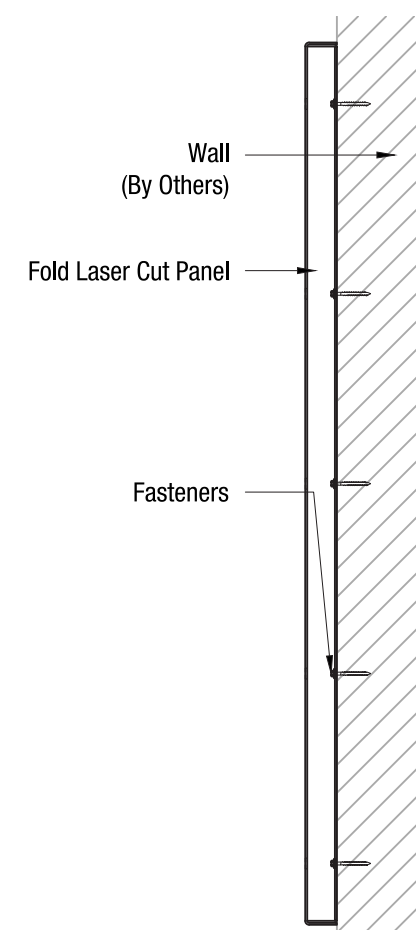
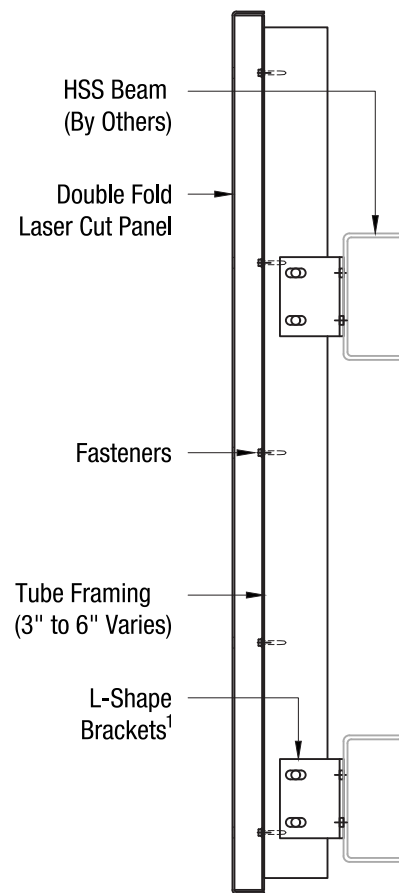
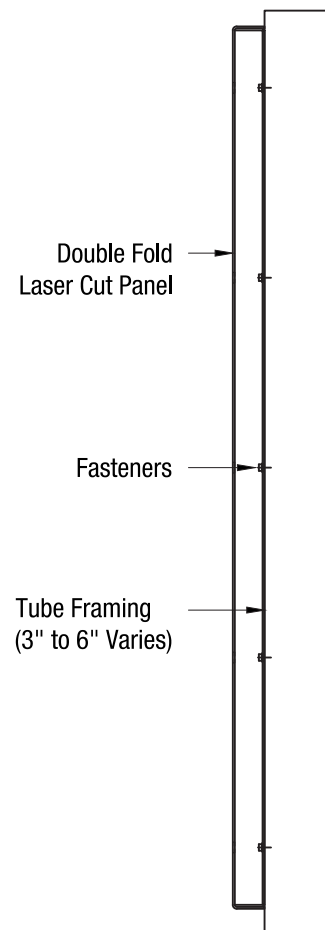
# FD2 - Double Fold - Mounting Options (1 of 2)



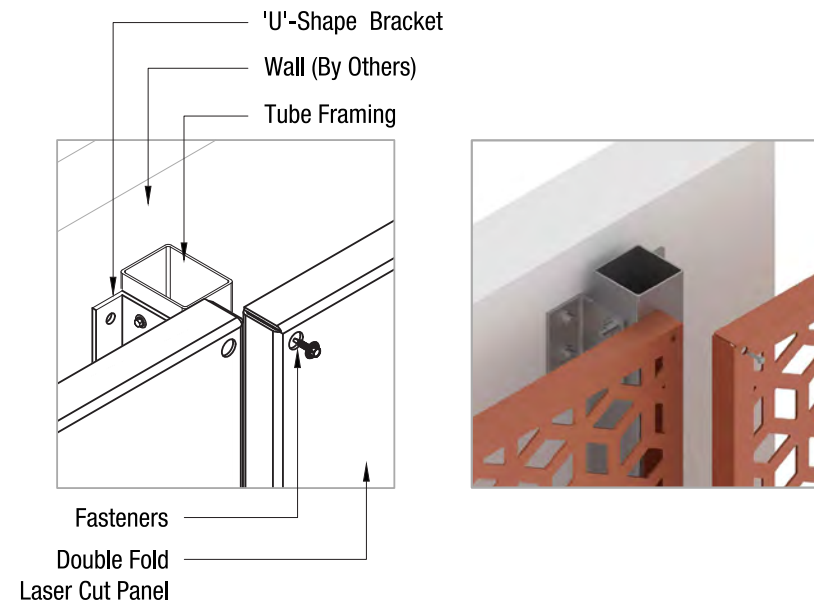
FD2-1 TO STEEL COLUMN

FD2-2 TO STEEL BEAM

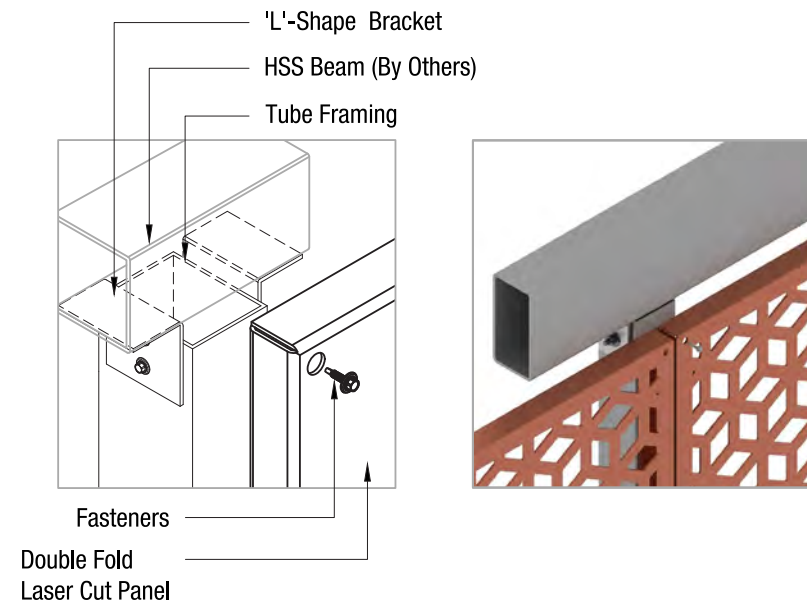
FD2-3 MOUNT TO WALL



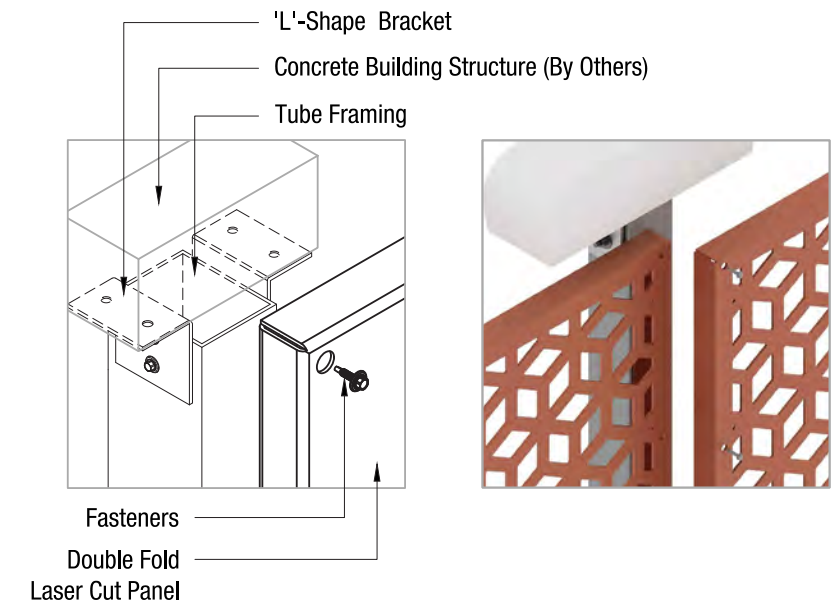
# FD2 - Double Fold - Mounting Options (2 of 2)



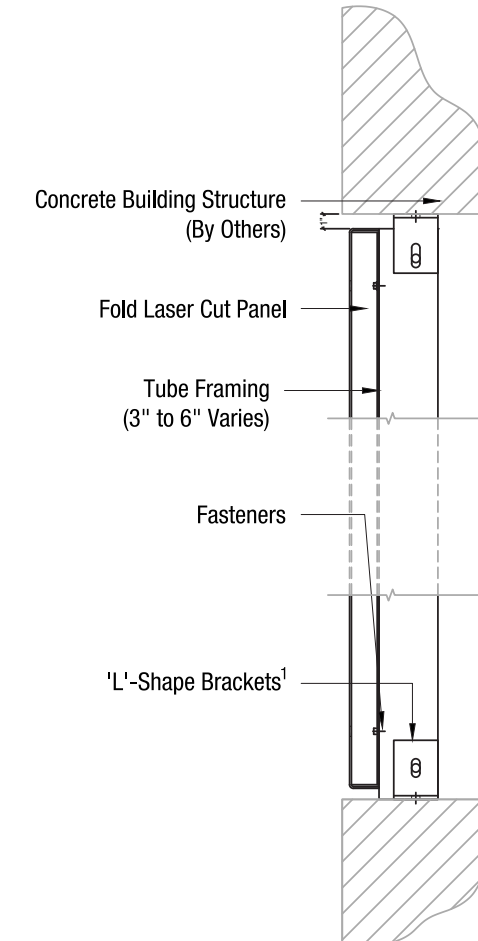
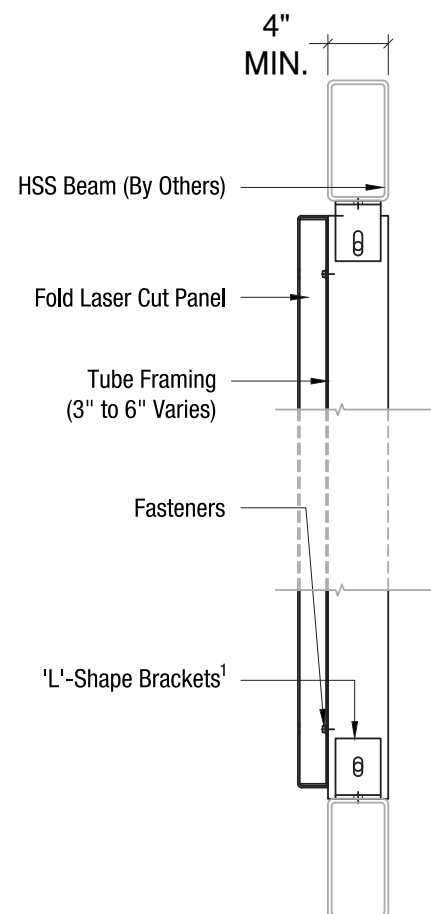
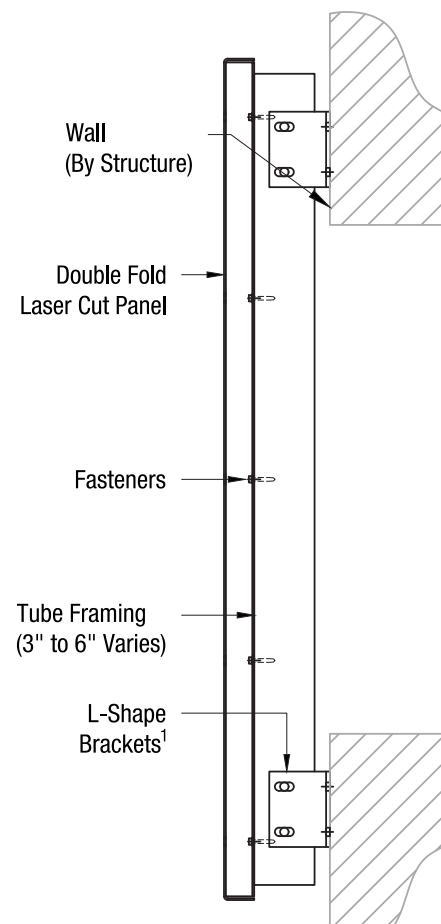
FD2-4 BETWEEN FLOOR LEVELS



FD2-5 BETWEEN STEEL BEAMS (INSET)



FD2-6 BETWEEN CONCRETE SLABS (INSET)

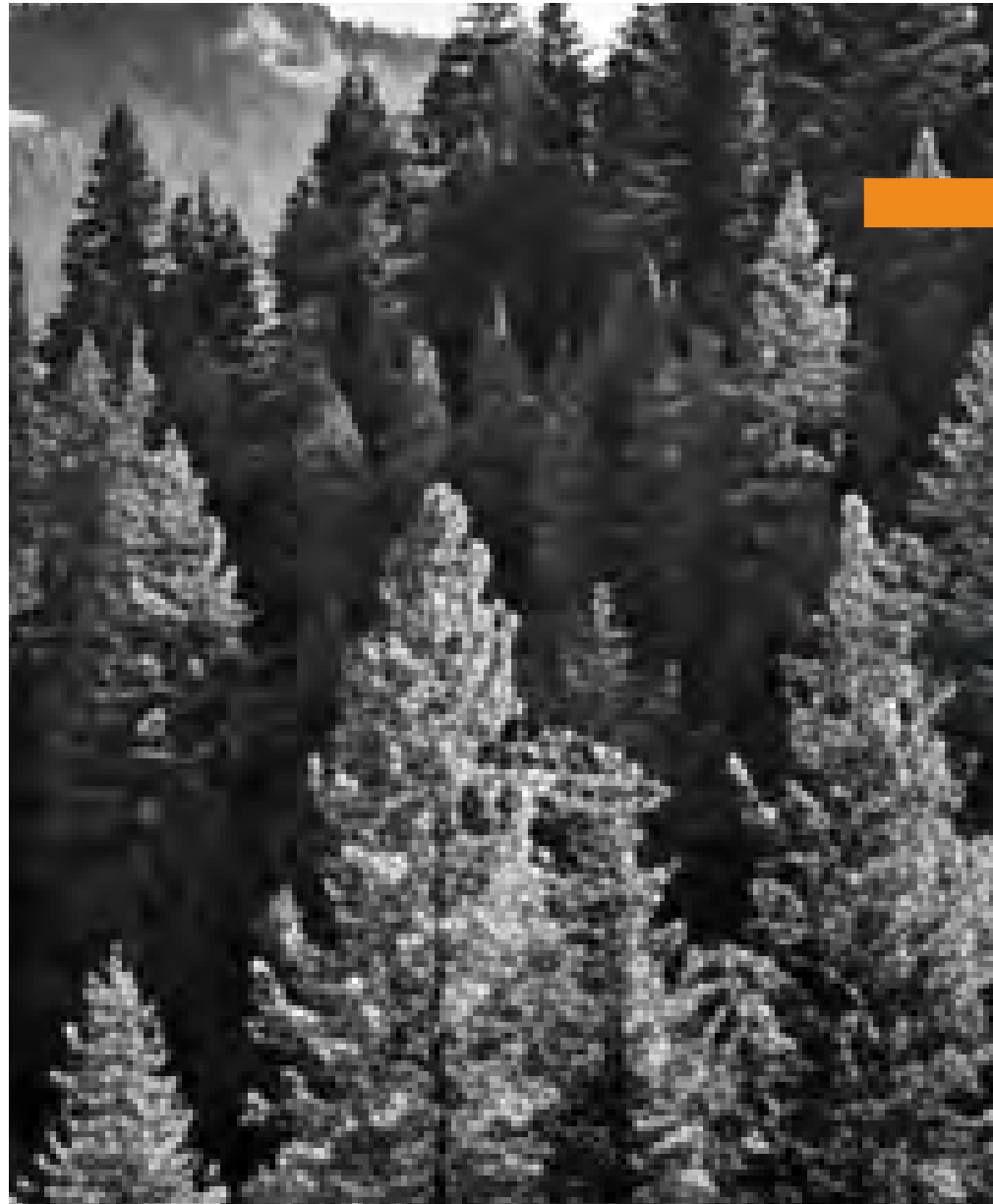




Custom imagery generated via proprietary software that manipulates individual hole sizes to render complex visual logos, branding, and photographic metal art.

## 01 INSPIRATION

Any image, logo, photo, or artwork



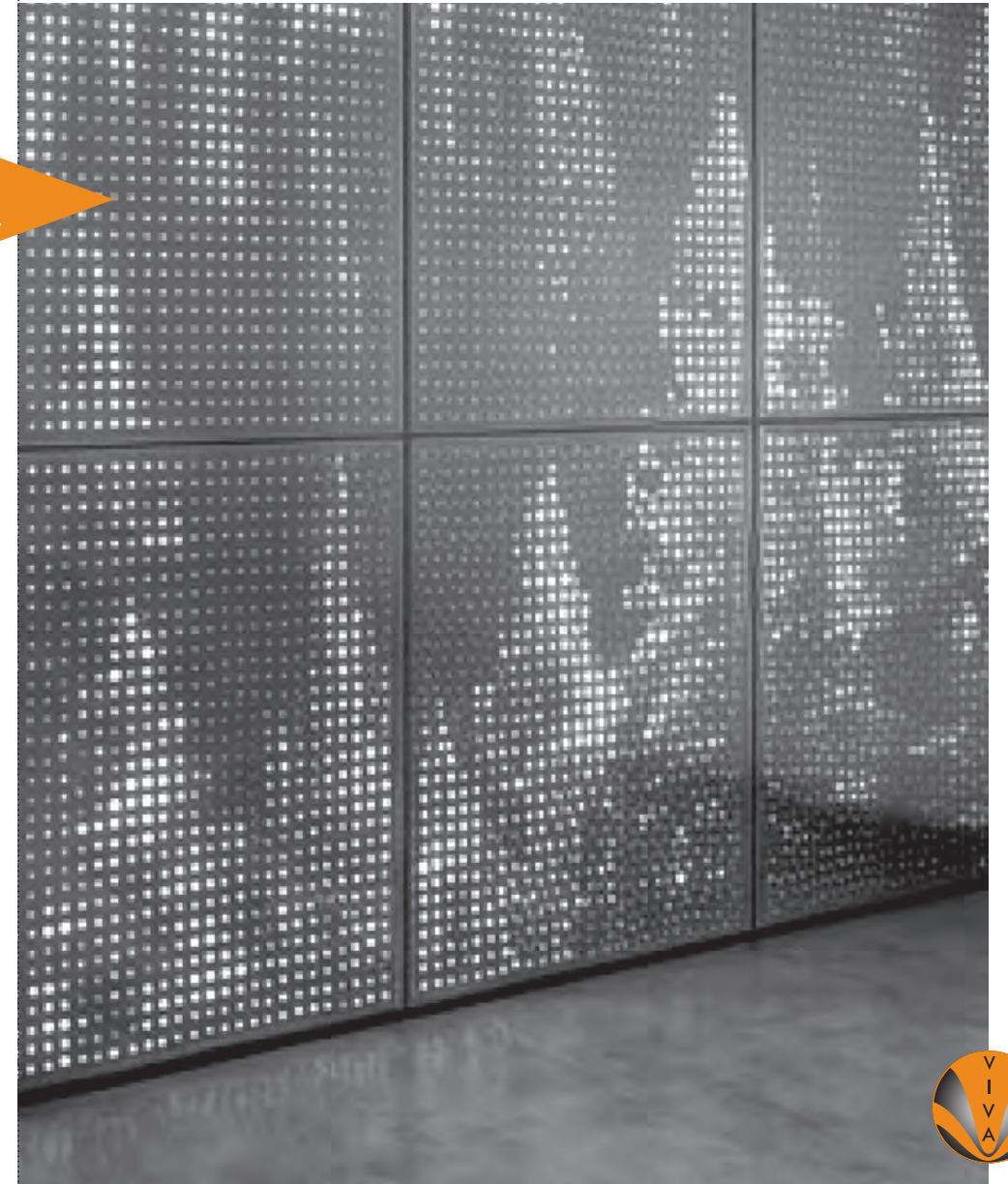
## 02 ALGORITHMIC CNC

Proprietary software maps grayscale values to hole sizes

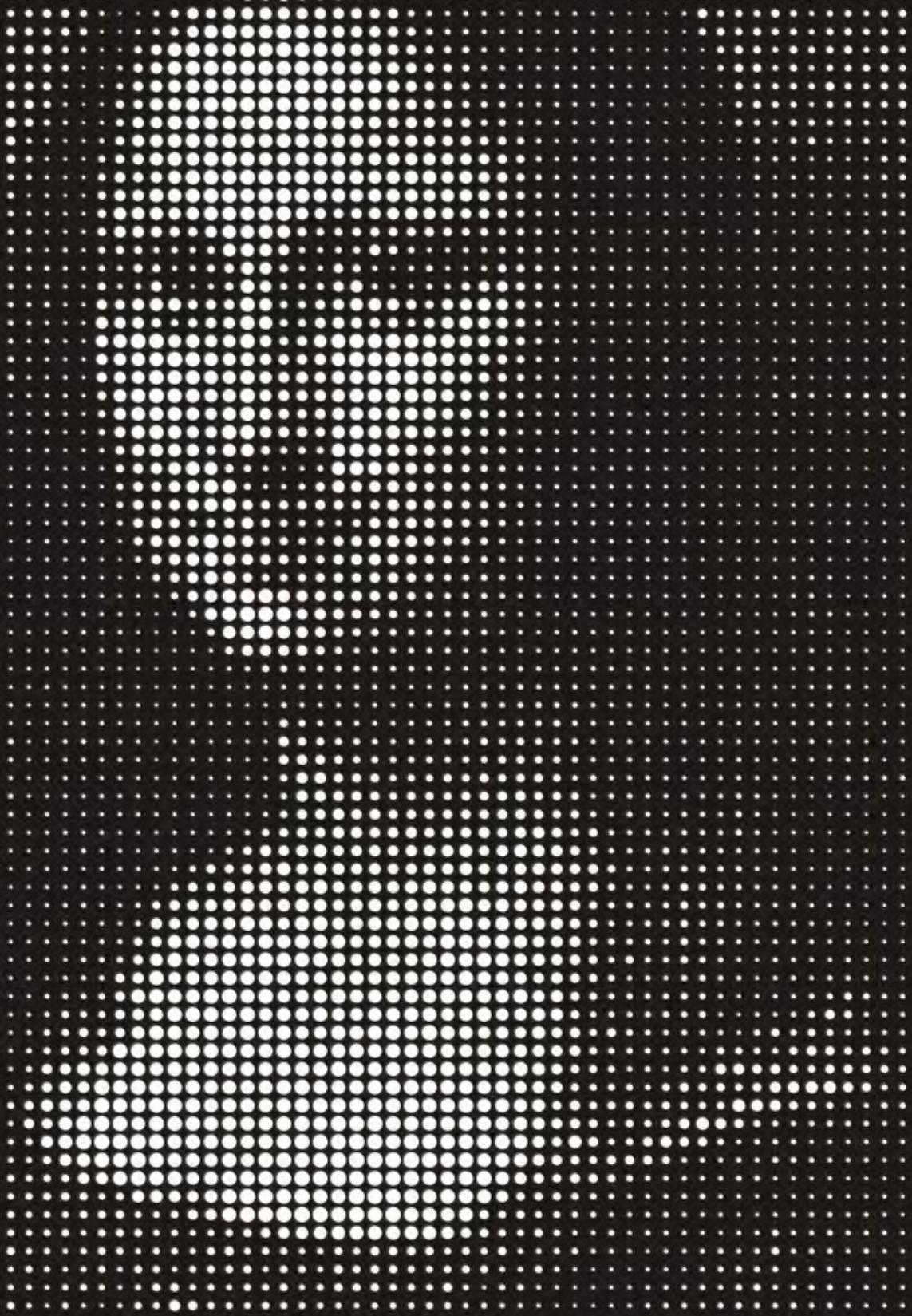


## 03 FOTOFACADE PANEL

Perforated metal renders the image across the facade



# FotoFacade - Metal Art & Imaging



MU



# Pattern Collections

## Where Performance Meets Personality

At MetalSpaces, we know that WallScapes are more than functional barriers—they are expressive design elements that shape the identity of a space. Our curated pattern categories are tailored for wall applications requiring both aesthetic strength and technical excellence:

### **Primary**

Crisp, modern, and minimal — these linear patterns add structure and repetition to building exteriors.

### **Geometric**

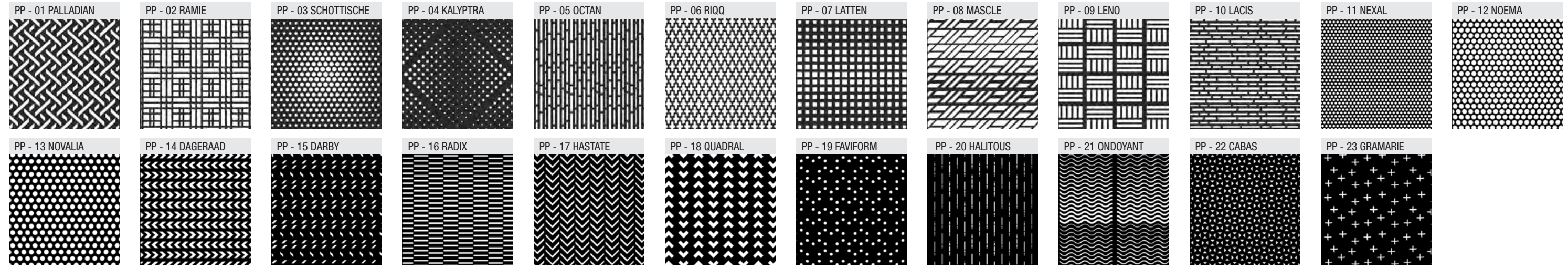
Symmetrical, tessellated designs that bring rhythm and movement to facades.

### **Organic**

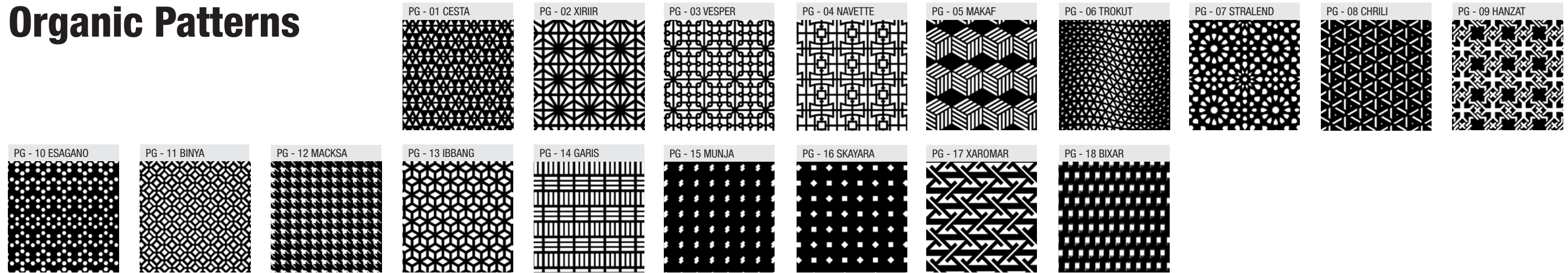
Soft, flowing forms that evoke nature. A biophilic touch in even the most urban environments.



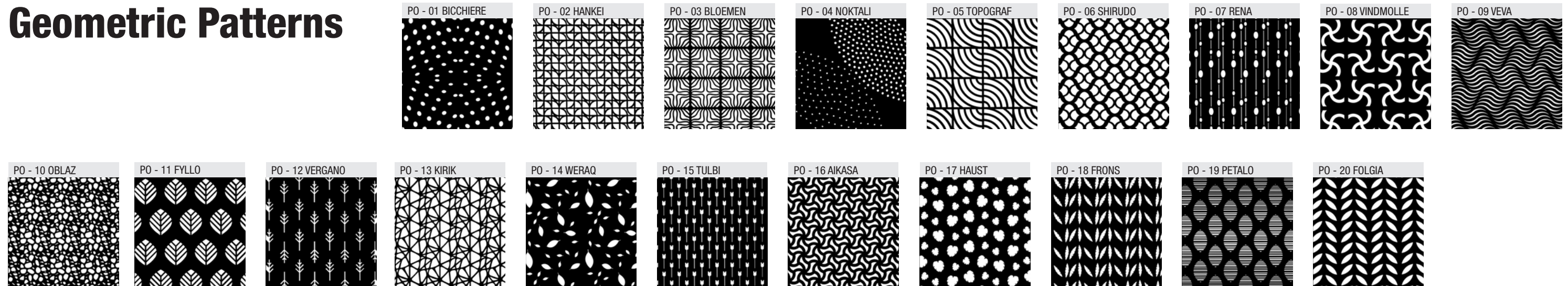
# Primary Patterns



# Organic Patterns



# Geometric Patterns





FOGO DE CHAO - SCHLAUMBURG, IL  
General Contractor: Gallant Buildings Solution  
Architect: SGA Design Group



WILDBERRY CAFE  
General Contractor: VDR Development Group  
Architect: AGN Design



# KINGWOOD HIGH SCHOOL

KINGWOOD HIGH SCHOOL - KINGWOOD, TX  
General Contractor: Flintco, LLC  
Architect: PBK Architects Inc.



STEPHEN TERRELL REC CENTER - ALLEN, TX  
General Contractor: Adolfsen & Peterson  
Architect: Barker Rinker Seacat Architecture.



**DESIGN + ENGINEER + FABRICATE + INSTALL**

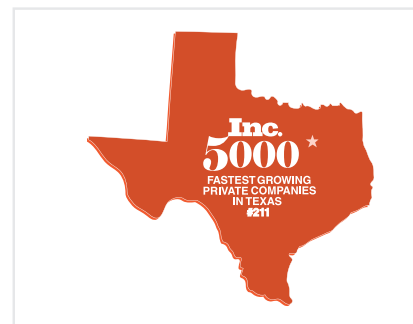
**151 W. Vista Ridge Mall Dr. Lewisville, TX 75067**

(Dallas/Fort Worth Metroplex)

PH: 972.353.8482 | [info@vivarailings.com](mailto:info@vivarailings.com)  
[vivarailings.com](http://vivarailings.com)



Inc. Magazine 500 | 5000  
VIVA RAILINGS, LLC.  
Among The Fastest Growing  
US Companies  
Eight Years in a Row  
**2012-2019**



Inc. Magazine 500 | 5000  
VIVA RAILINGS, LLC.  
Among The Fastest Growing  
Texas Companies  
**#211**



ICC-ES 4405 Certified  
**SHOE™**  
Structural Glass Railing System



LEED  
Material & Resources Credits 4.1 and 4.2



The American Institute of Architects



The California Contractors State License  
Board Certified

