



SHADE STRUCTURE

Integrated Shade + Sun Control Systems

METAL
SPACES
A division of Viva Railings, LLC.




VIVA RAILINGS
LEADERS IN ARCHITECTURAL RAILING SYSTEMS



System Overview

 **Engineered sun control and shade systems: Freestanding Shade Structures**


 **CSI Division: 10 10700 – Sun Control Systems**

 **Delivery Model: Turnkey (primary) or supply-only**

Freestanding architectural canopies for plazas, courtyards, and outdoor amenity spaces, engineered for comfort, durability, and visual presence.



APPLICATIONS _____

 **Plazas and courtyards:** commercial, civic, and mixed-use gathering spaces

 **Outdoor amenity areas:** hospitality pool decks, hotel terraces, restaurant patios

 **Campus and education:** school courtyards, university quads, outdoor classrooms

 **Transit and civic:** school courtyards, university quads, outdoor classrooms

 **Feature centerpieces:** round canopies as gathering nodes and civic landmark

KEY FEATURES _____

- **Three Geometries:** Square, Rectangular, and Round configurations; custom sizes available
- **Engineered Structural Support:** Steel column and base plate systems designed for wind, weather, and long-term use
- **Multiple Foundation Conditions:** Anchored or embedded options for new and existing site conditions
- **Design Flexibility:** Standard pattern library, custom patterns, or solid panels
- **Turnkey Delivery:** Single-source design, engineering, fabrication, and optional installation



SHADE STRUCTURE TYPE	DIMENSIONS (ft.)	PANEL MATERIAL	FINISH
Square	Square: 10 x 10	Aluminum 1/8" Aluminum 3/16" Aluminum 1/4"	Powder Coat (AAMA 2604) ² PVDF (AAMA 2605) ¹
Rectangular	Rectangular: 16 x 20		
Round	Round: 12 OD / 16 OD	Steel 14 Ga Steel 11 Ga	Zinc Rich Primer + Powder Coat Mill Finish (paint by others)
Framing	Varies per project specific engineering	HSS Steel	Zinc Rich Primer + Powder Coat Red Oxide Primer (paint by others)

(1) Available as an Upgrade.

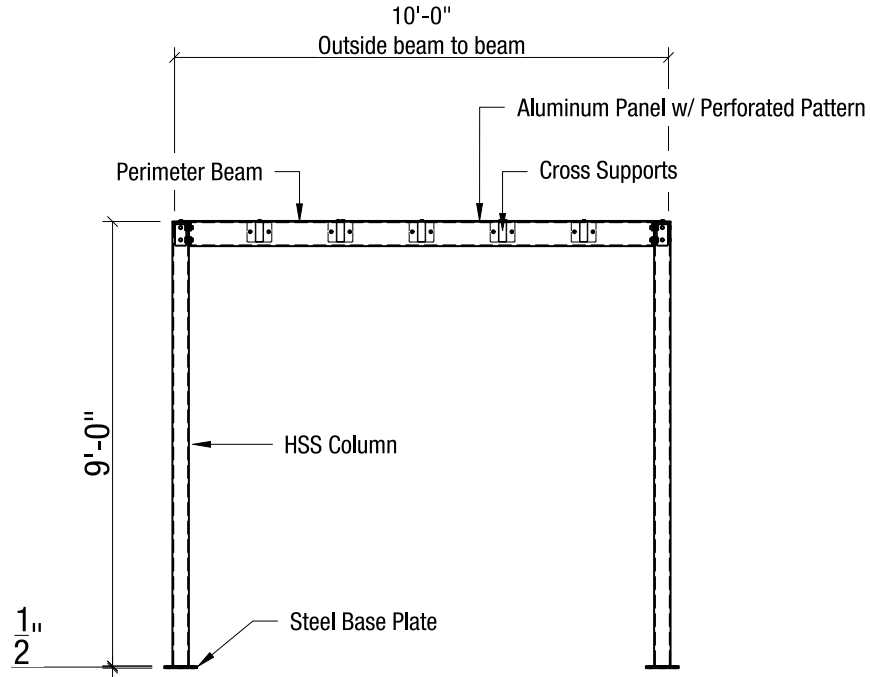
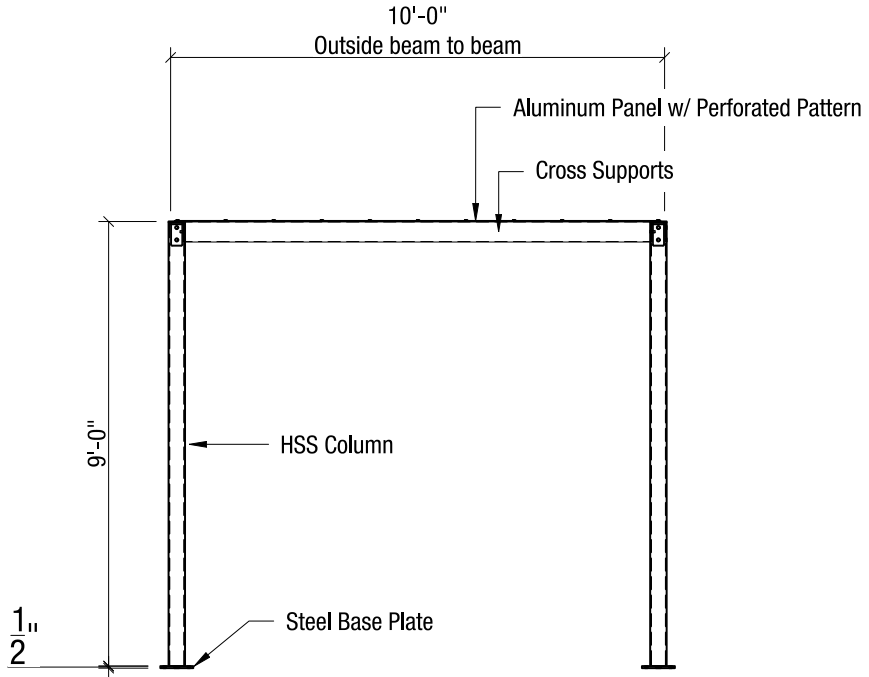
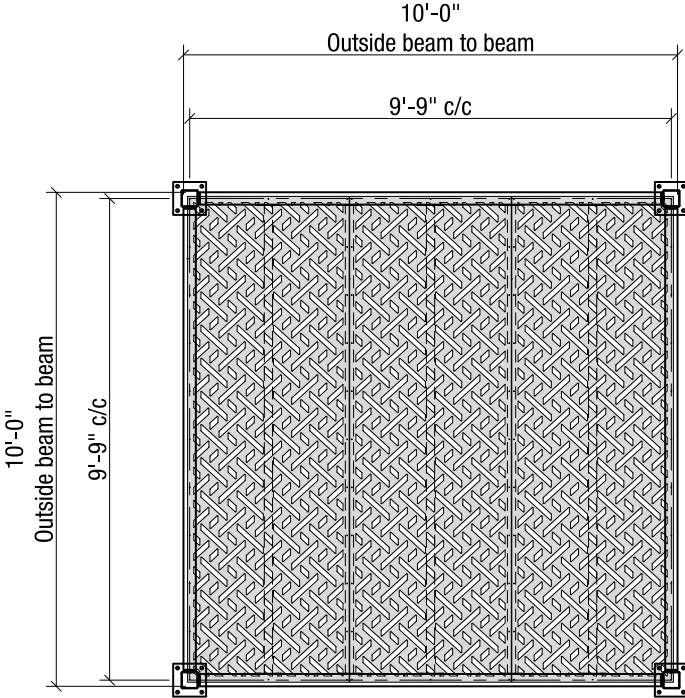
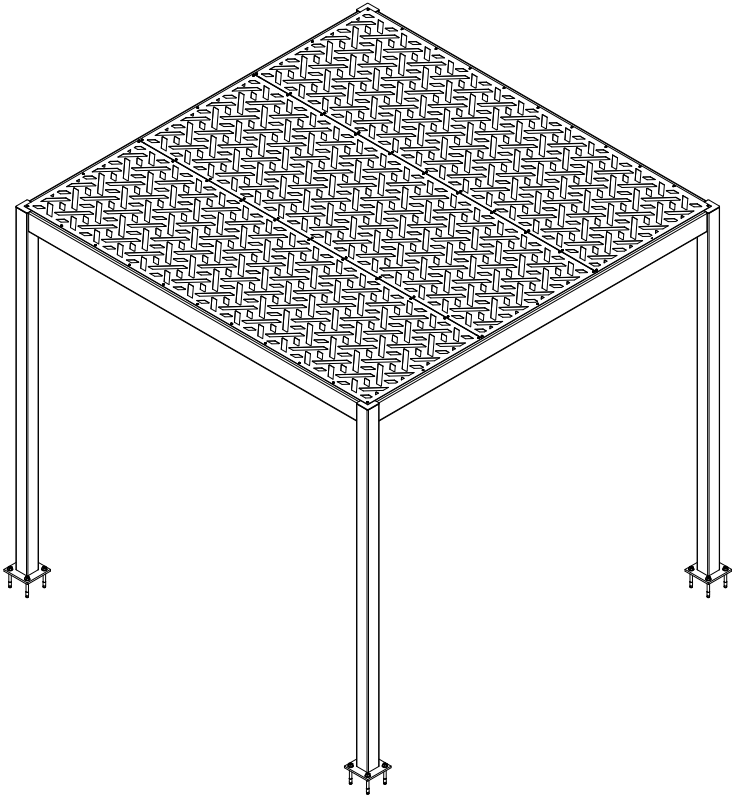
(2) \$ to \$\$\$: Indicates finish type comparative cost.





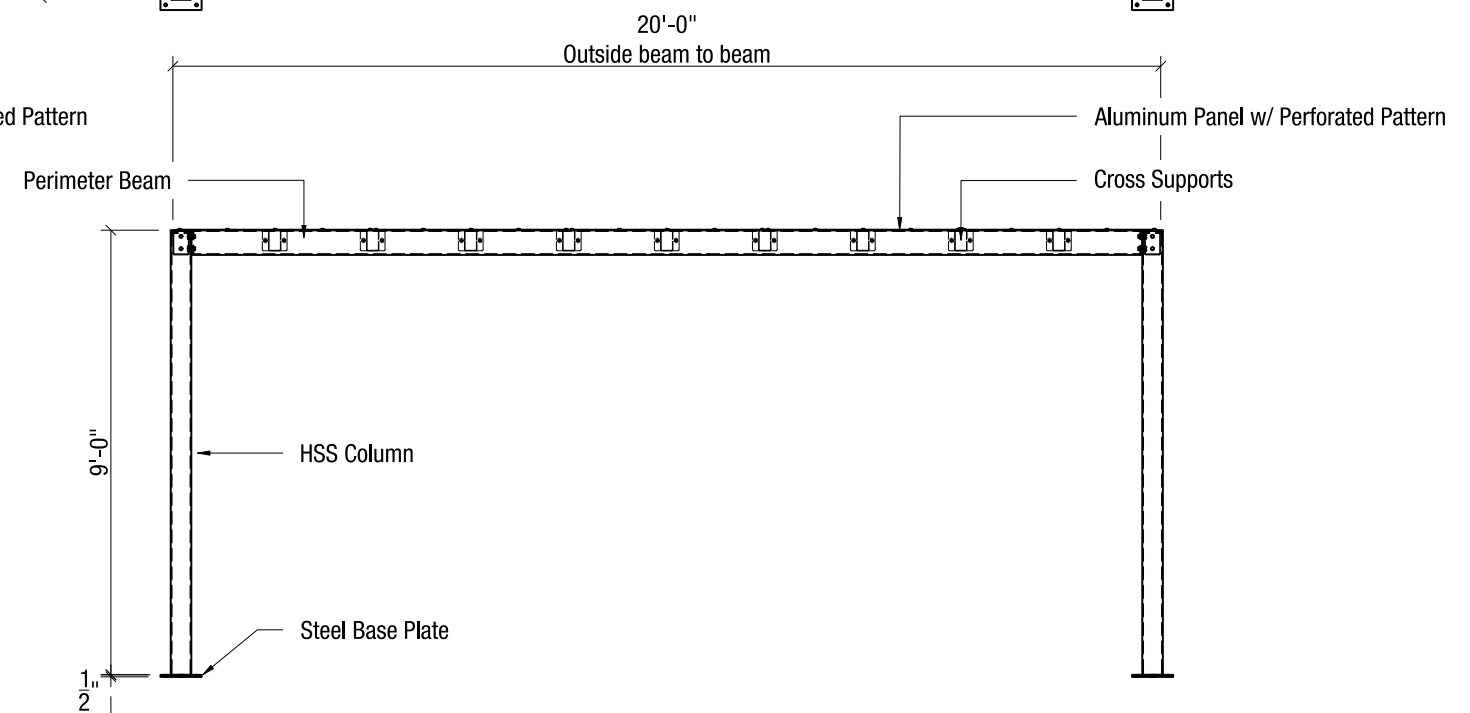
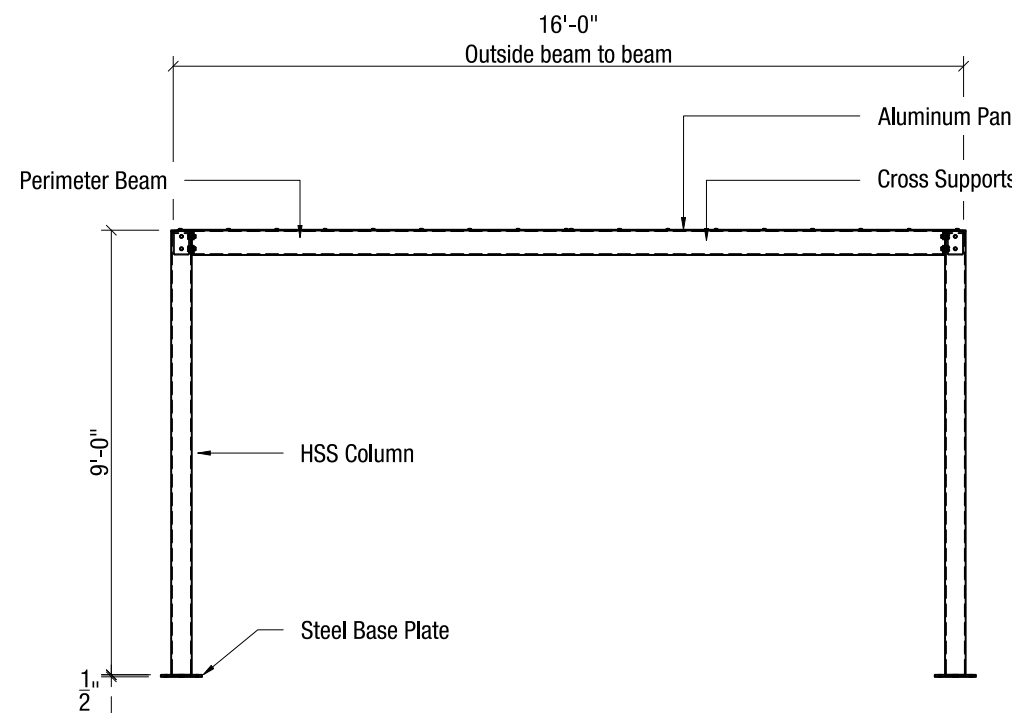
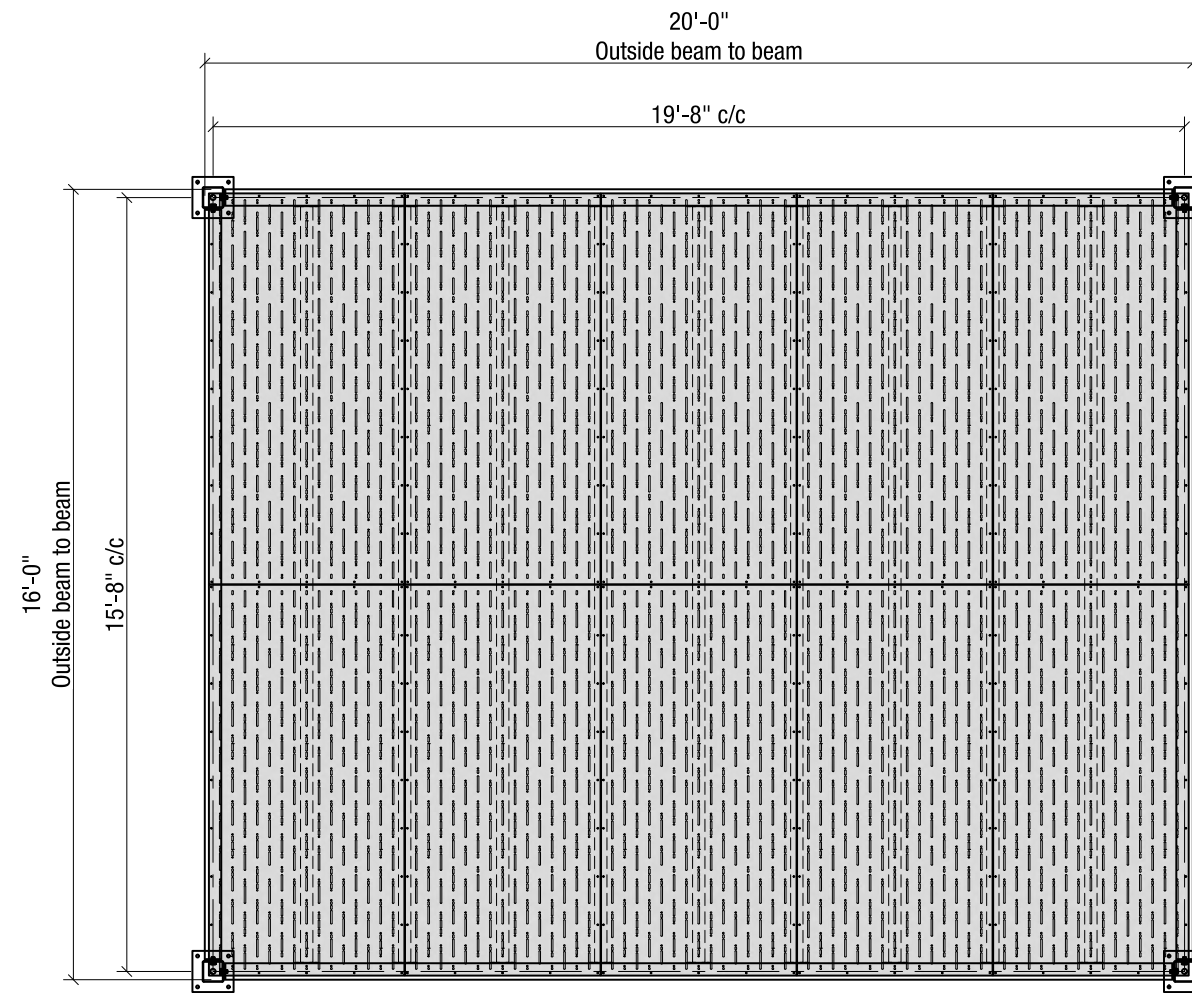
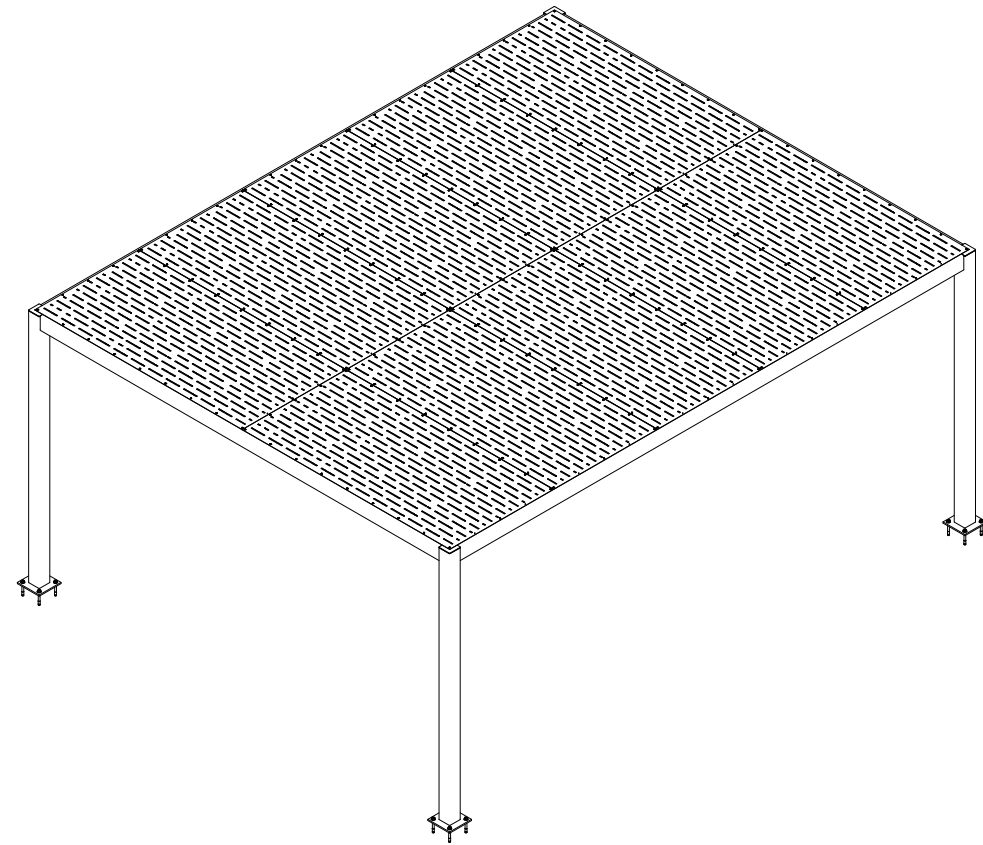
Square Shade Structure

DIMENSIONS	
Square	10'-0" x 10'-0"
Custom sizes available per request.	



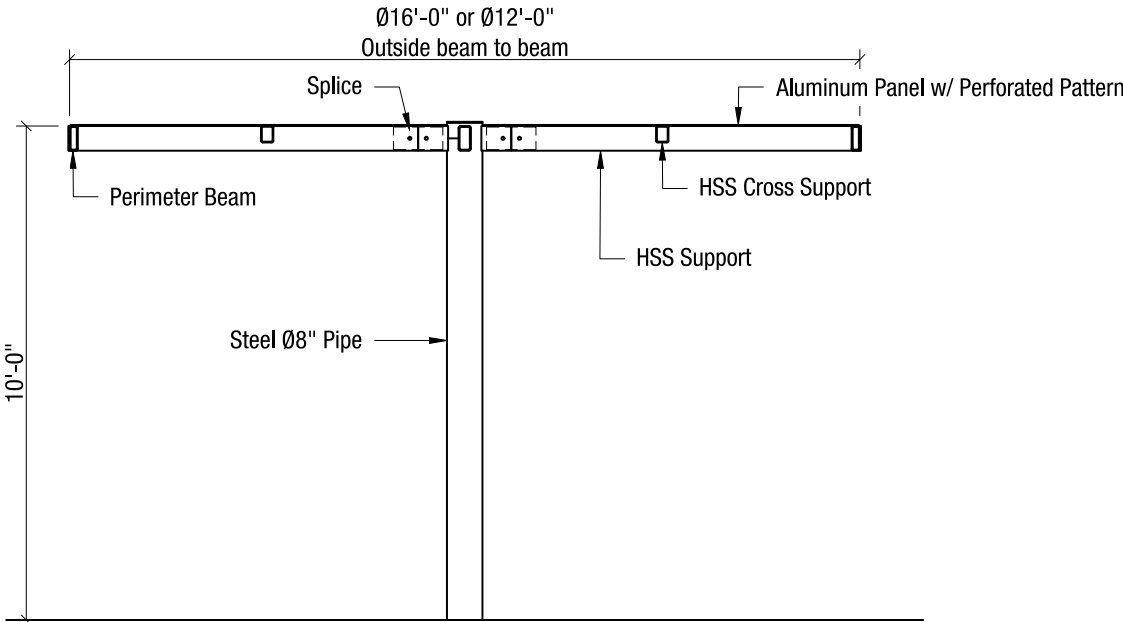
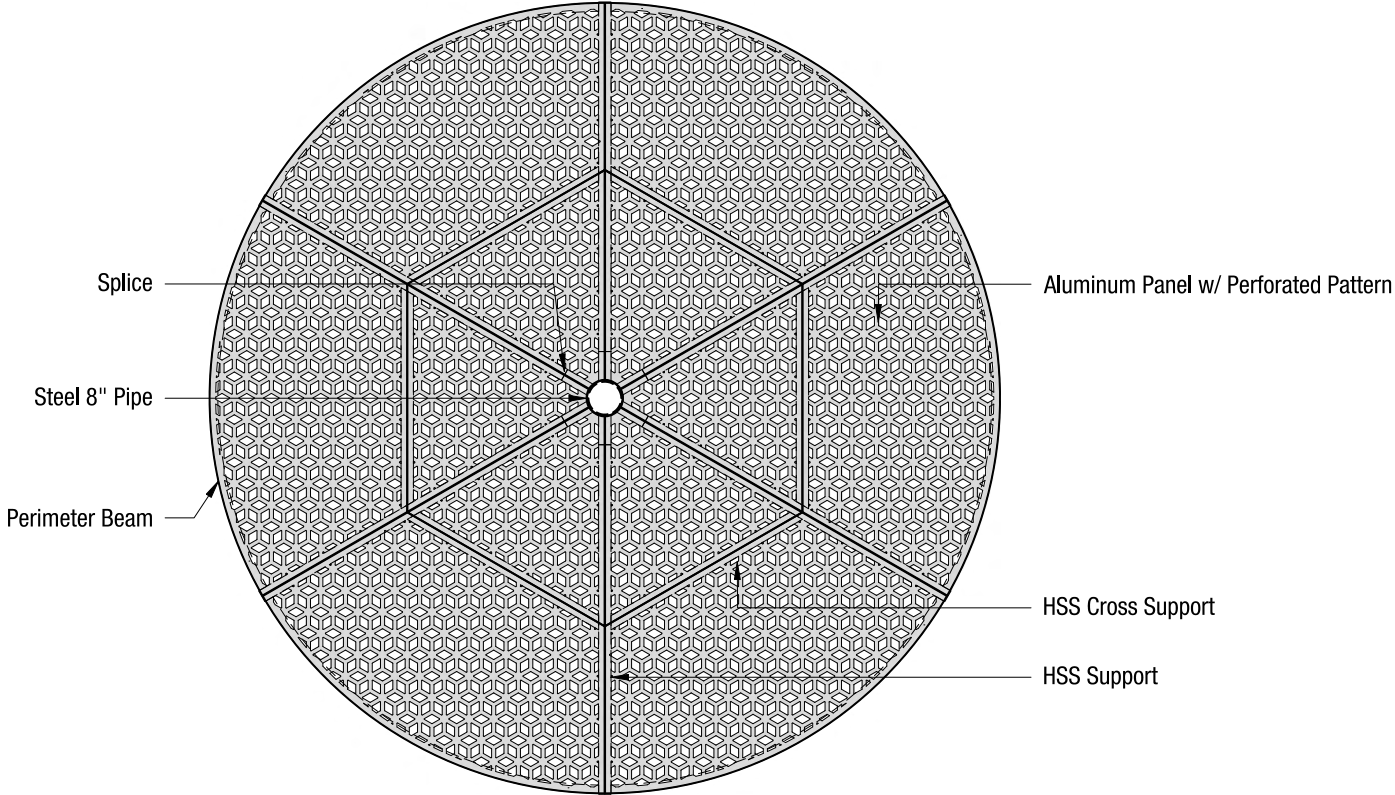
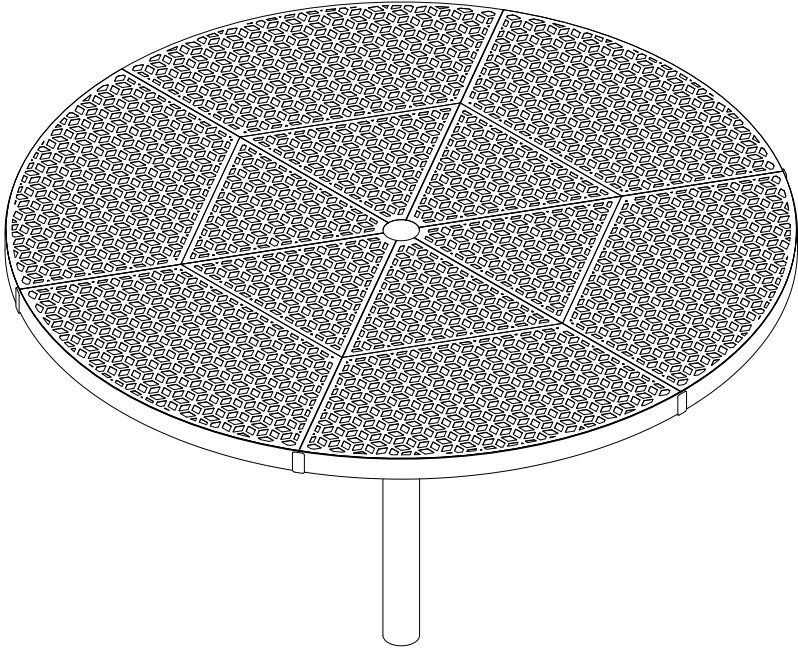
Rectangular Shade Structure

DIMENSIONS	
Rectangular	12'-0" x 15'-0"
	16'-0" x 20'-0"
Custom sizes available per request.	

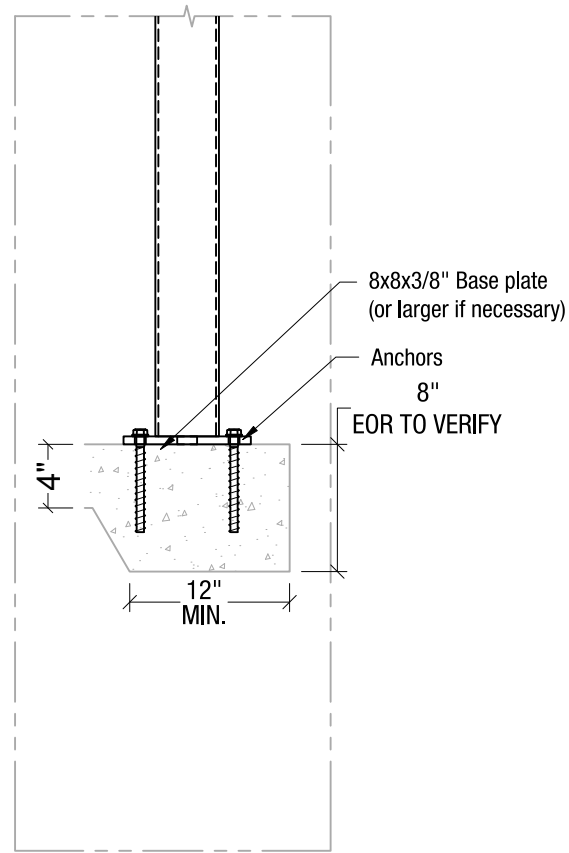


Round Shade Structure

DIMENSIONS	
Round	12'-0" O.D.
	16'-0" O.D.
Custom sizes available per request.	

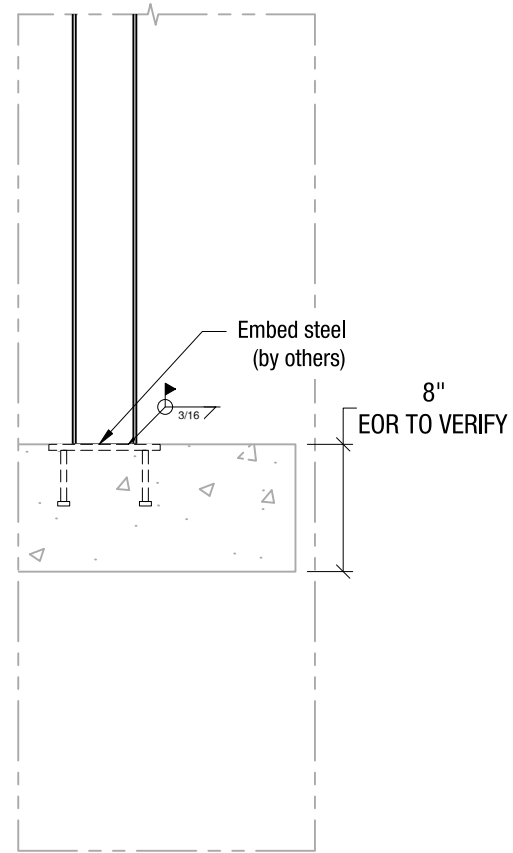


Mounting Conditions



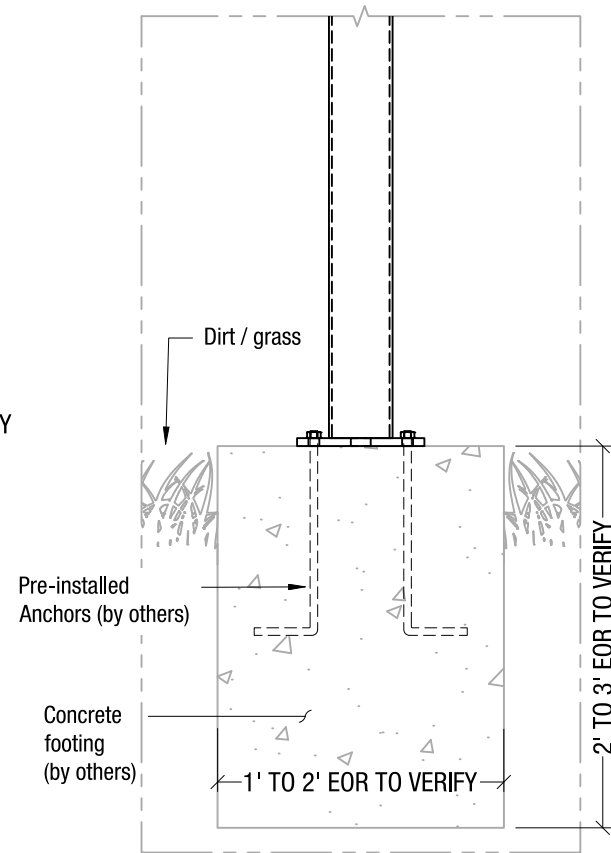
Anchored to Concrete¹ - \$²
Detail# SS-T01

1



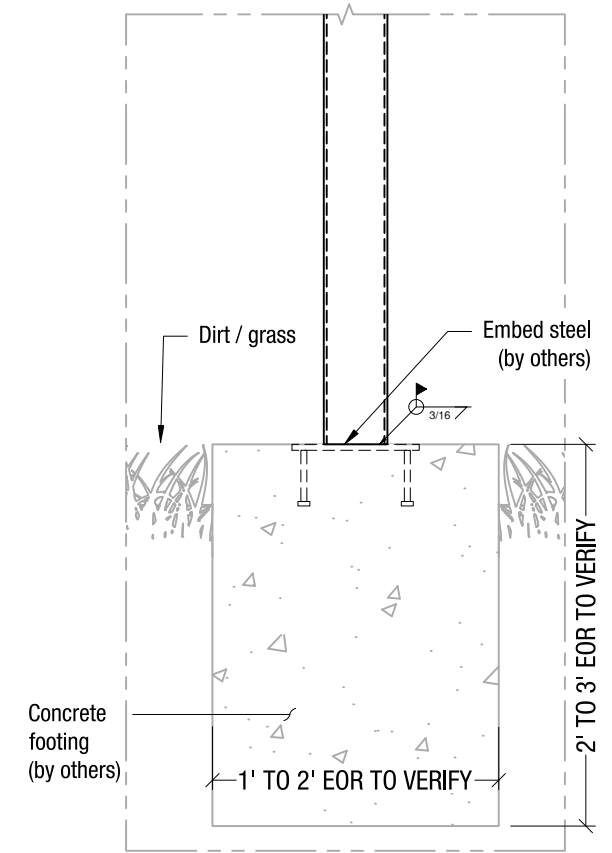
Welded @ Embed Plate - \$
Detail# SS-T02

2



Anchored to Concrete Footing on Dirt - \$
Detail# SS-T03

3



Welded to Embed Footing on Dirt - \$
Detail# SS-T04

4

(1) Min. 4000 PSI concrete, Typ.
(2) \$ to \$\$\$: Indicates finish type comparative cost.

Pattern Collections

Where Performance Meets Personality

At MetalSpaces, we know that Shade Structures are more than functional barriers—they are expressive design elements that shape the identity of a space. Our curated pattern categories are tailored for wall applications requiring both aesthetic strength and technical excellence:

Primary

Crisp, modern, and minimal — these linear patterns add structure and repetition to building exteriors.

Geometric

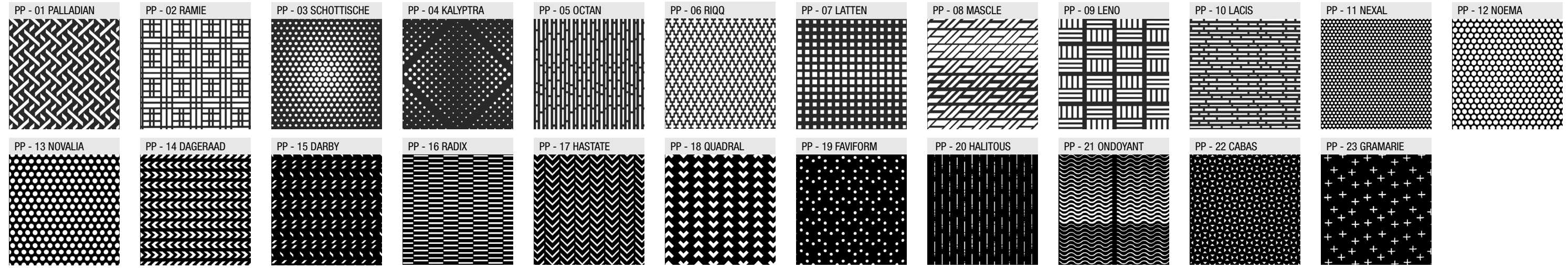
Symmetrical, tessellated designs that bring rhythm and movement to facades.

Organic

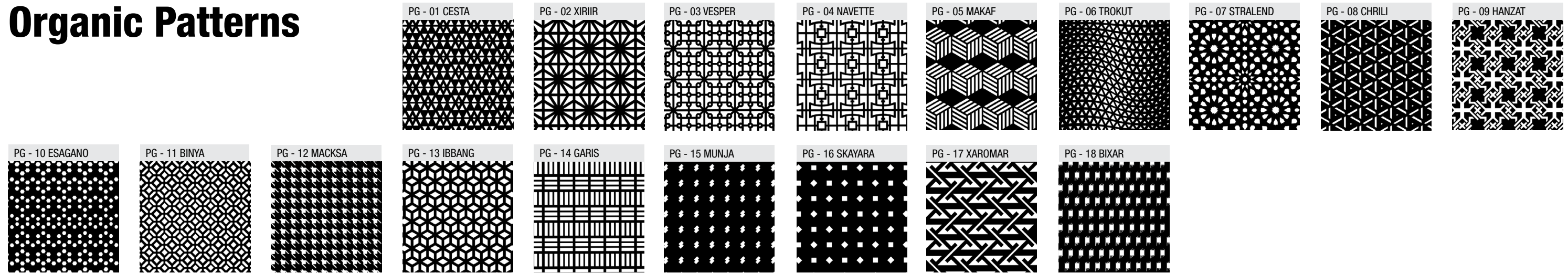
Soft, flowing forms that evoke nature. A biophilic touch in even the most urban environments.



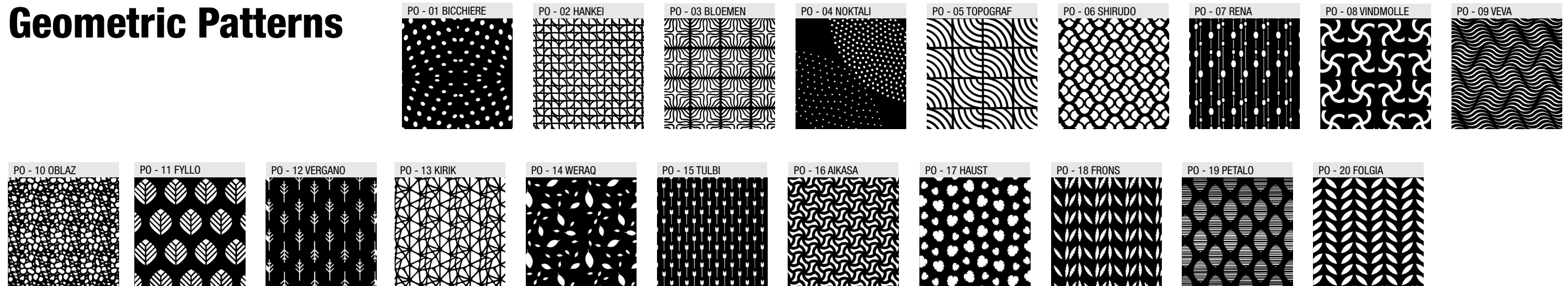
Primary Patterns



Organic Patterns



Geometric Patterns





DESIGN + ENGINEER + FABRICATE + INSTALL

151 W. Vista Ridge Mall Dr. Lewisville, TX 75067

(Dallas/Fort Worth Metroplex)

PH: 972.353.8482 | info@vivarailings.com
vivarailings.com



Inc. Magazine 500 | 5000
VIVA RAILINGS, LLC.
Among The Fastest Growing
US Companies
Eight Years in a Row
2012-2019



Inc. Magazine 500 | 5000
VIVA RAILINGS, LLC.
Among The Fastest Growing
Texas Companies
#211



ICC-ES 4405 Certified
SHOE™
Structural Glass Railing System



LEED
Material & Resources Credits 4.1 and 4.2



The American Institute of Architects



The California Contractors State License
Board Certified

