



# SHADE STRUCTURE

Integrated Shade + Sun Control Systems

**METAL**  
SPACES  
A division of Viva Railings, LLC.



**VIVA RAILINGS**  
LEADERS IN ARCHITECTURAL RAILING SYSTEMS



# System Overview

 **Engineered sun control and shade systems: Freestanding Shade Structures**


 **CSI Division: 10 10700 – Sun Control Systems**

 **Delivery Model: Turnkey (primary) or supply-only**

Freestanding architectural canopies for plazas, courtyards, and outdoor amenity spaces, engineered for comfort, durability, and visual presence.




## APPLICATIONS \_\_\_\_\_

 **Plazas and courtyards:** commercial, civic, and mixed-use gathering spaces

 **Outdoor amenity areas:** hospitality pool decks, hotel terraces, restaurant patios

 **Campus and education:** school courtyards, university quads, outdoor classrooms

 **Transit and civic:** school courtyards, university quads, outdoor classrooms

 **Feature centerpieces:** round canopies as gathering nodes and civic landmark

## KEY FEATURES \_\_\_\_\_

- **Three Geometries:** Square, Rectangular, and Round configurations; custom sizes available
- **Engineered Structural Support:** Steel column and base plate systems designed for wind, weather, and long-term use
- **Multiple Foundation Conditions:** Anchored or embedded options for new and existing site conditions
- **Design Flexibility:** Standard pattern library, custom patterns, or solid panels
- **Turnkey Delivery:** Single-source design, engineering, fabrication, and optional installation



SHADE STRUCTURE TYPE	DIMENSIONS (ft.)	PANEL MATERIAL	FINISH
Square	Square: 10 x 10	Aluminum 1/8" Aluminum 3/16" Aluminum 1/4"	Powder Coat (AAMA 2604) <sup>2</sup> PVDF (AAMA 2605) <sup>1</sup>
Rectangular	Rectangular: 16 x 20		
Round	Round: 12 OD / 16 OD	Steel 14 Ga Steel 11 Ga	Zinc Rich Primer + Powder Coat Mill Finish (paint by others)
Framing	Varies per project specific engineering	HSS Steel	Zinc Rich Primer + Powder Coat Red Oxide Primer (paint by others)

(1) Available as an Upgrade.

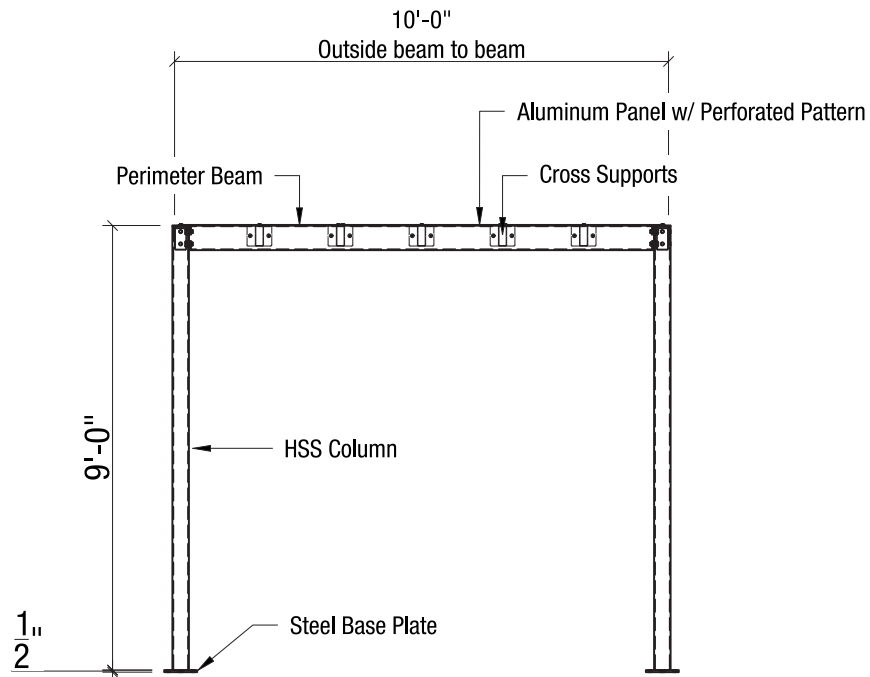
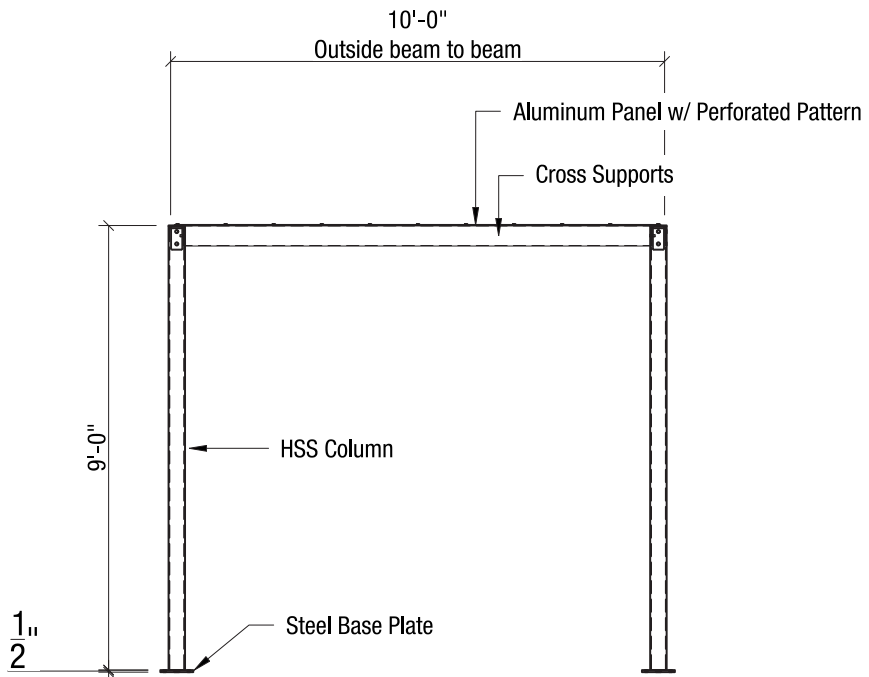
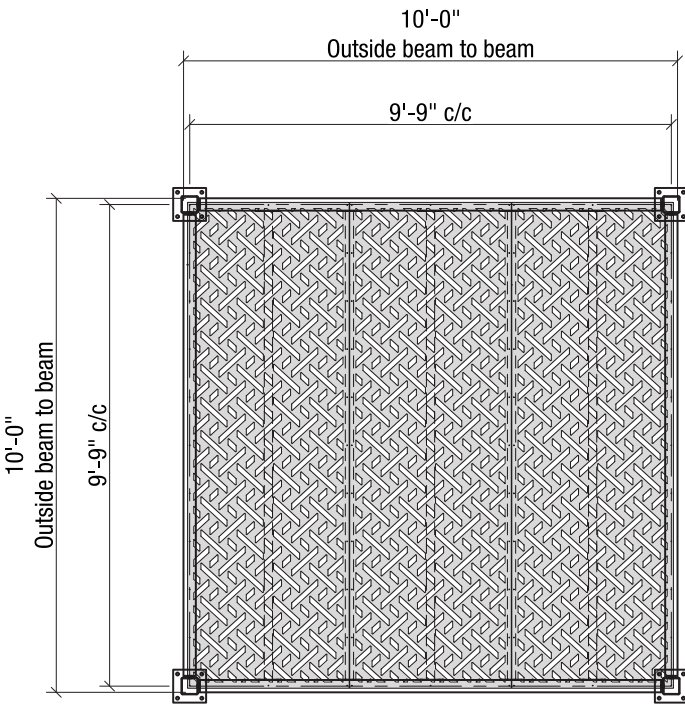
(2) \$ to \$\$\$: Indicates finish type comparative cost.





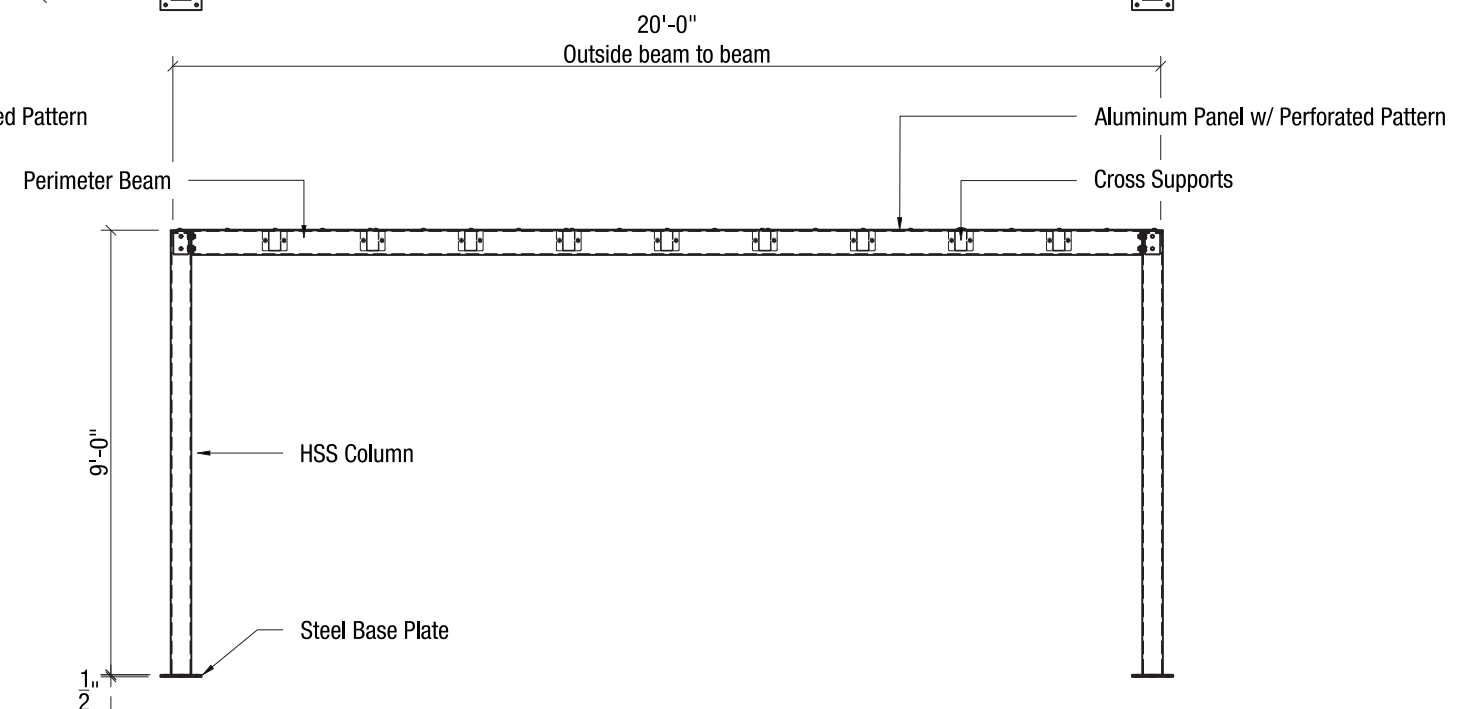
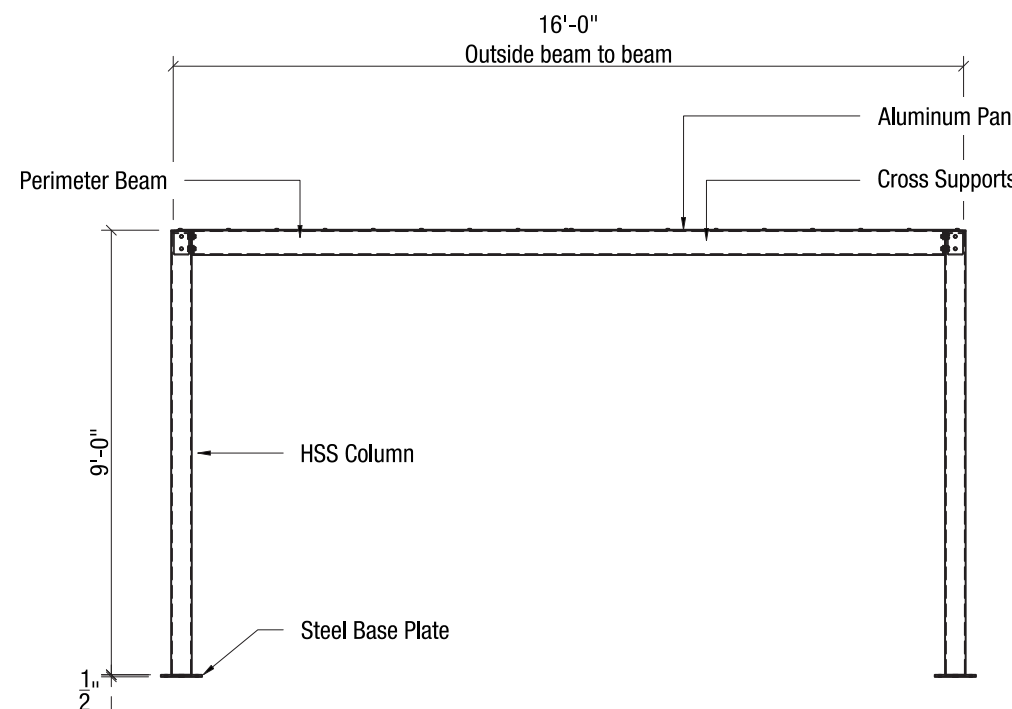
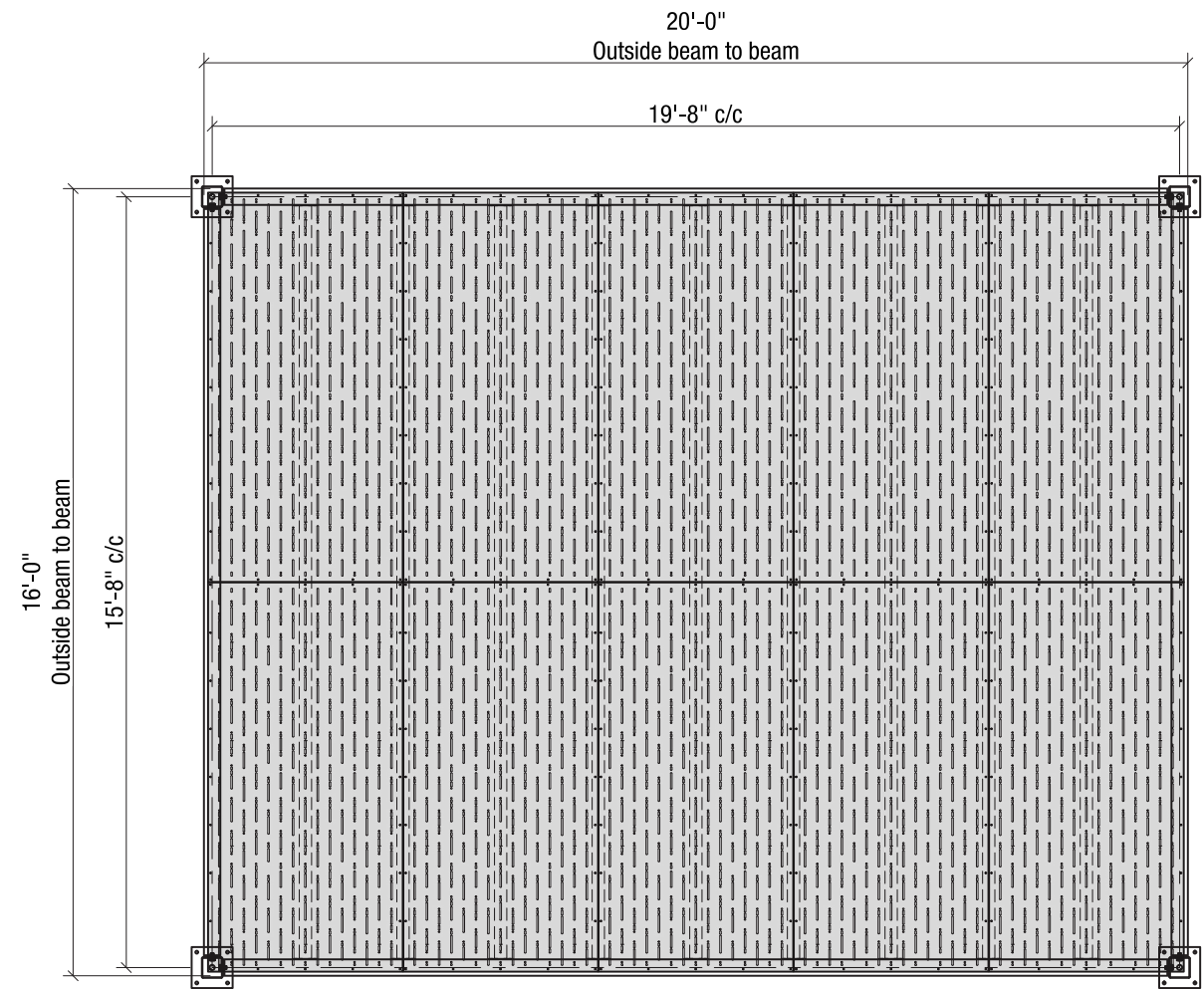
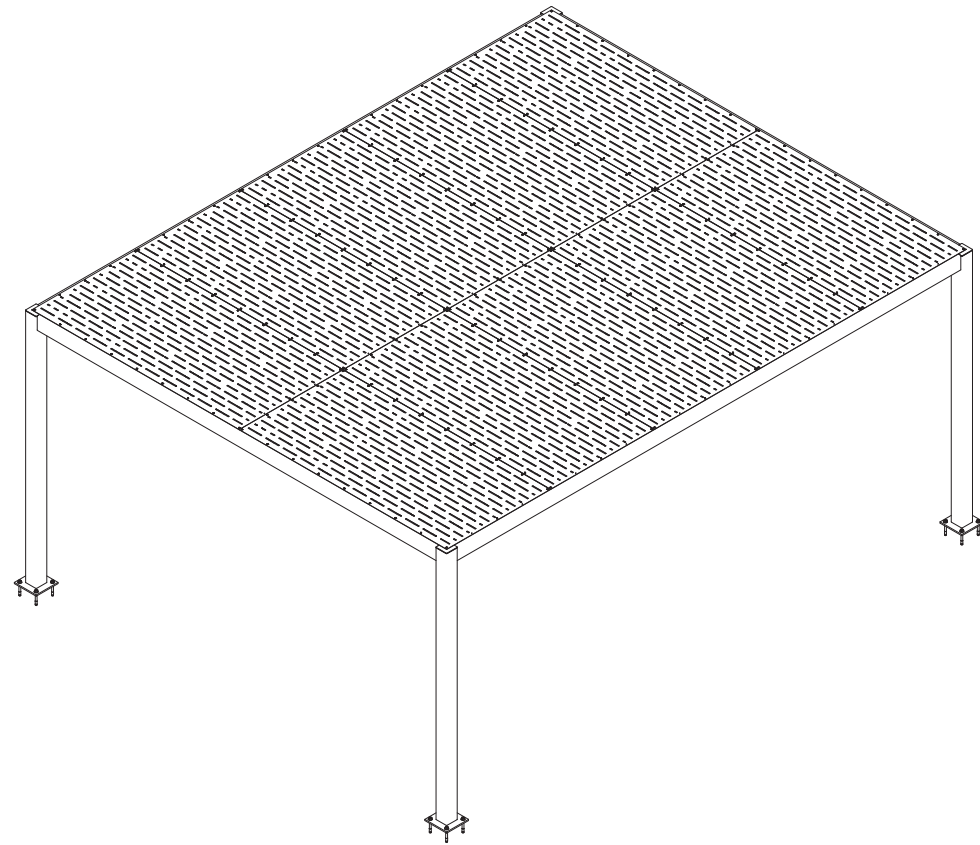
# Square Shade Structure

DIMENSIONS	
Square	10'-0" x 10'-0"
Custom sizes available per request.	



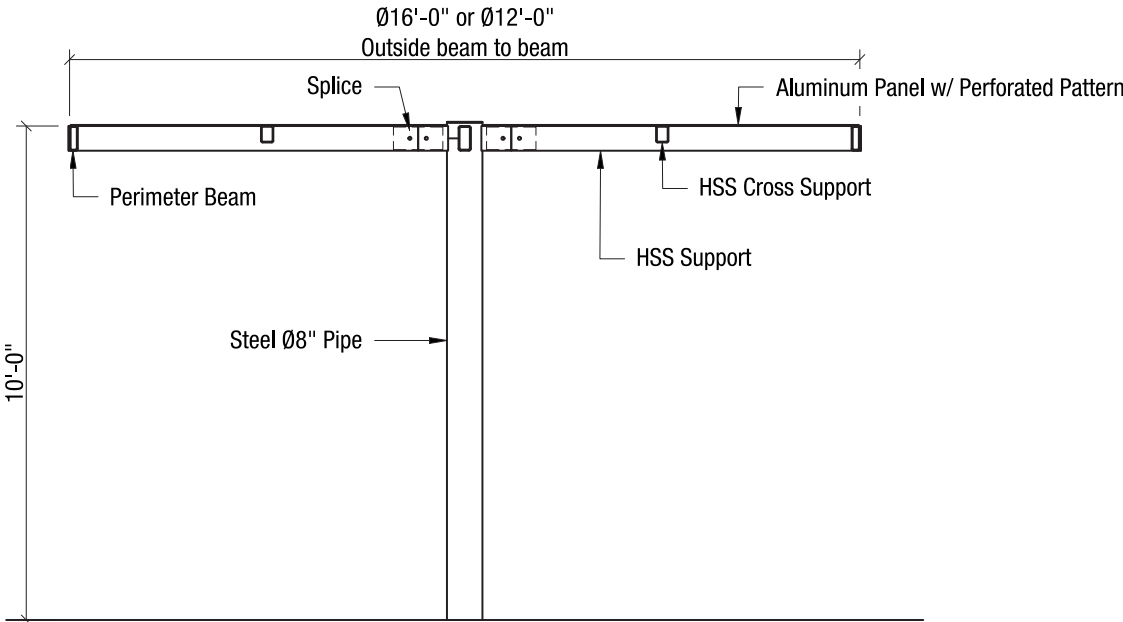
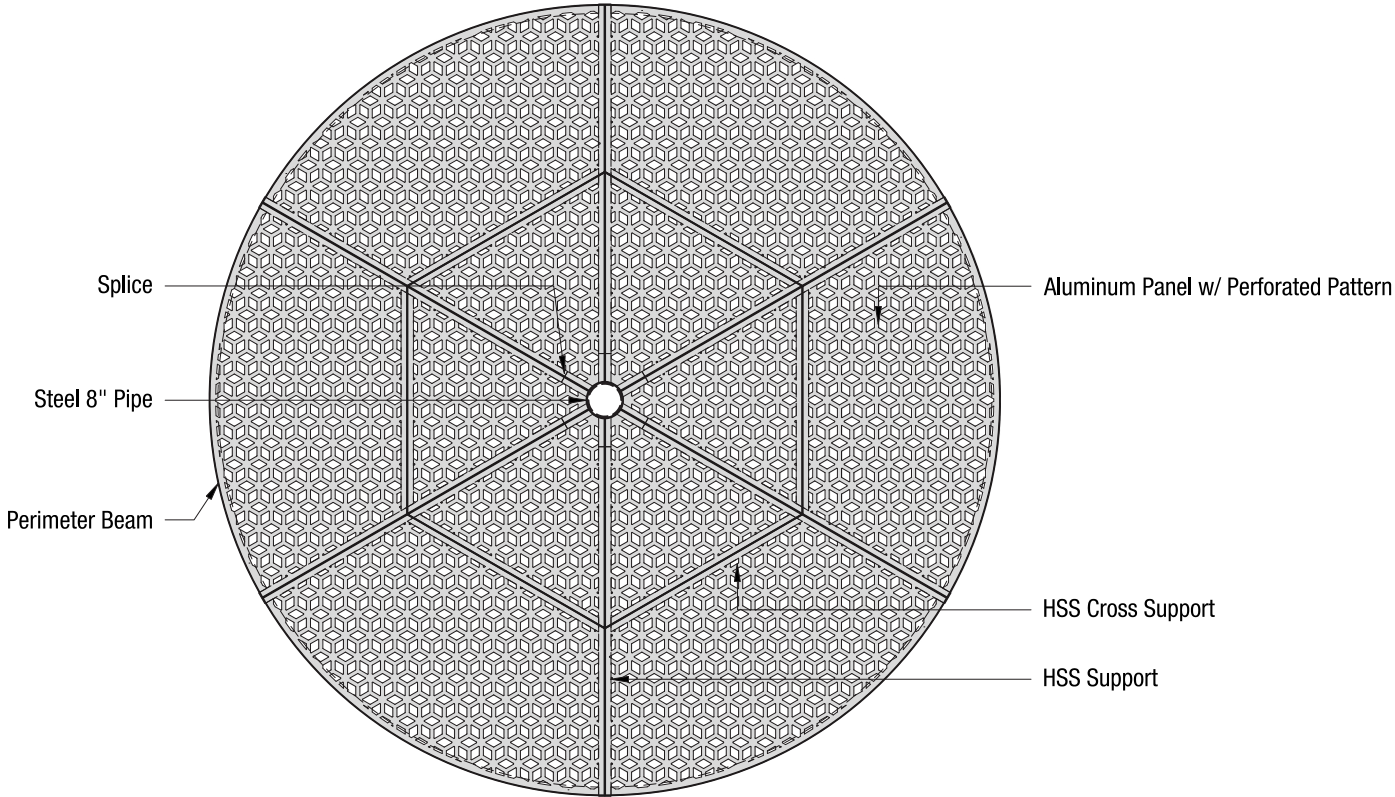
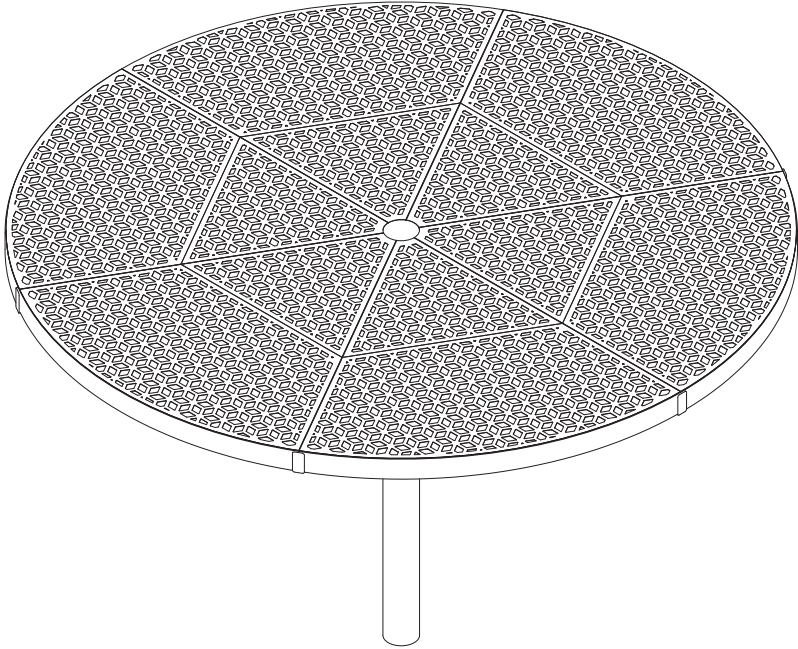
# Rectangular Shade Structure

DIMENSIONS	
Rectangular	12'-0" x 15'-0"
	16'-0" x 20'-0"
Custom sizes available per request.	

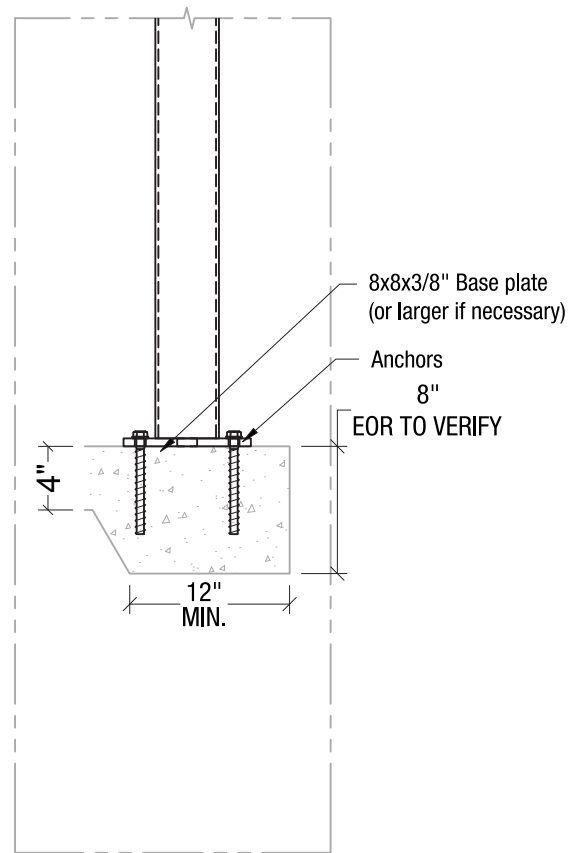


# Round Shade Structure

DIMENSIONS	
Round	12'-0" O.D.
	16'-0" O.D.
Custom sizes available per request.	

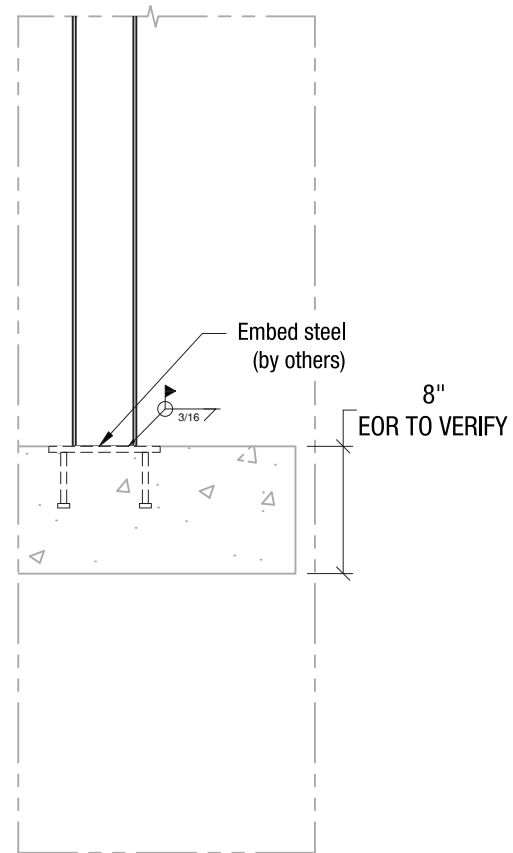


# Mounting Conditions



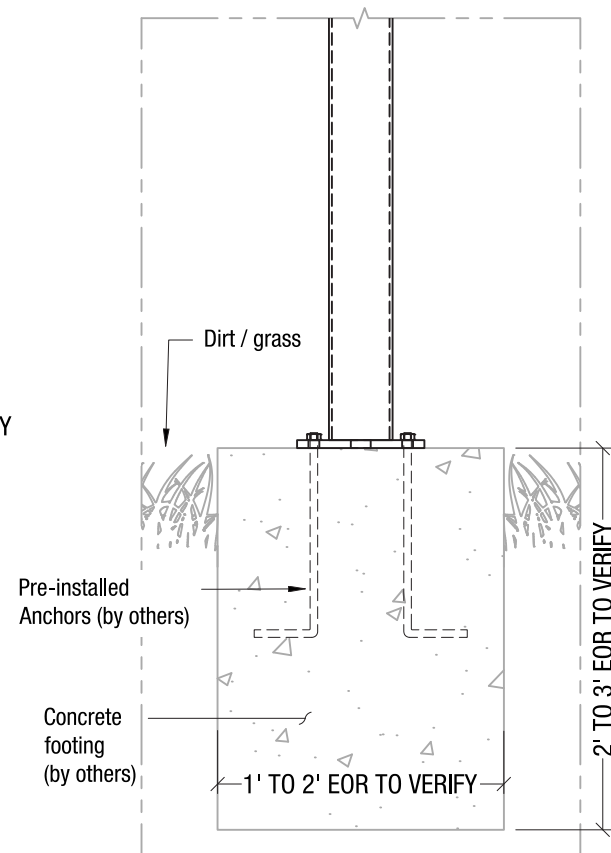
Anchored to Concrete<sup>1</sup> - \$<sup>2</sup>  
Detail# SS-T01

1



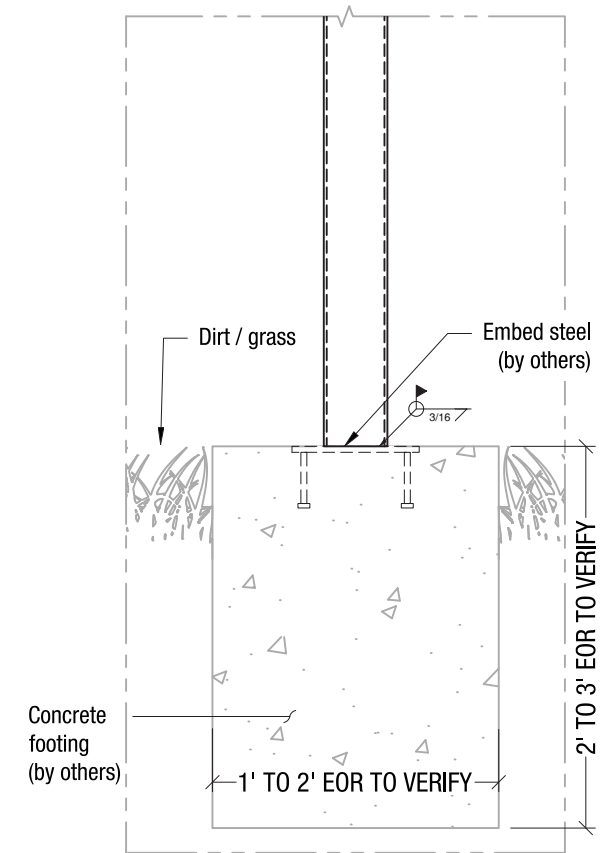
Welded @ Embed Plate - \$  
Detail# SS-T02

2



Anchored to Concrete Footing on Dirt - \$  
Detail# SS-T03

3



Welded to Embed Footing on Dirt - \$  
Detail# SS-T04

4

(1) Min. 4000 PSI concrete, Typ.

(2) \$ to \$\$\$: Indicates finish type comparative cost.

# Pattern Collections

## Where Performance Meets Personality

At MetalSpaces, we know that Shade Structures are more than functional barriers—they are expressive design elements that shape the identity of a space. Our curated pattern categories are tailored for wall applications requiring both aesthetic strength and technical excellence:

### **Primary**

Crisp, modern, and minimal — these linear patterns add structure and repetition to building exteriors.

### **Geometric**

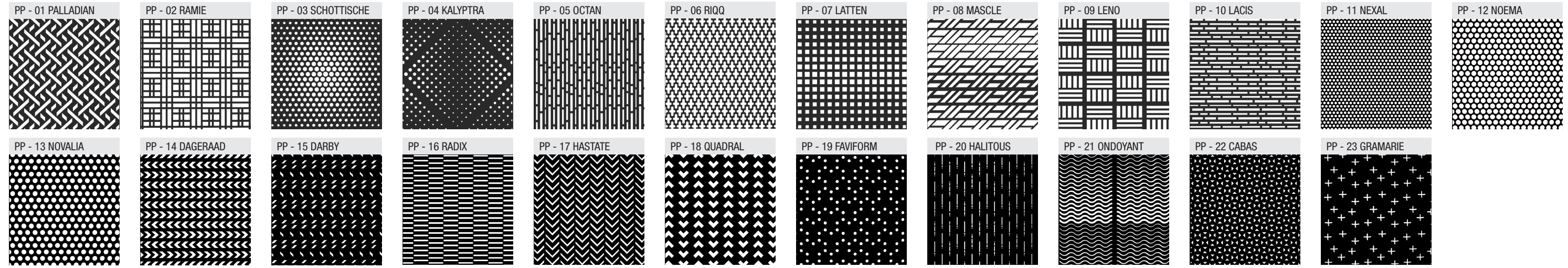
Symmetrical, tessellated designs that bring rhythm and movement to facades.

### **Organic**

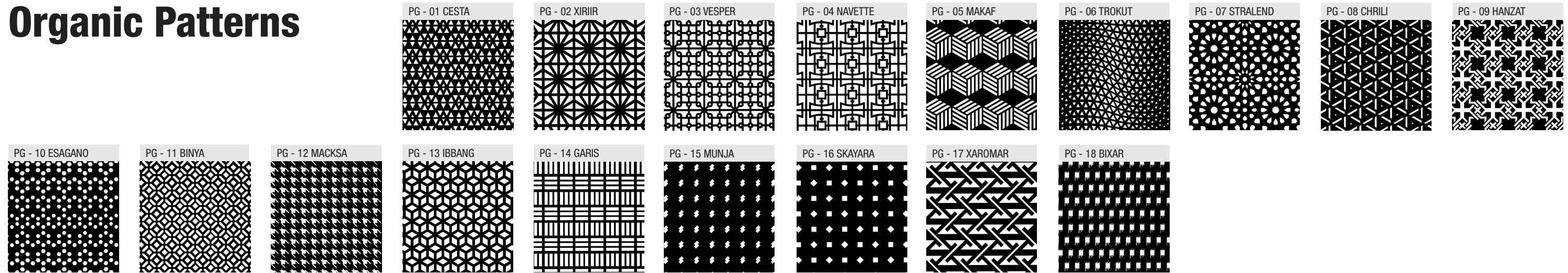
Soft, flowing forms that evoke nature. A biophilic touch in even the most urban environments.



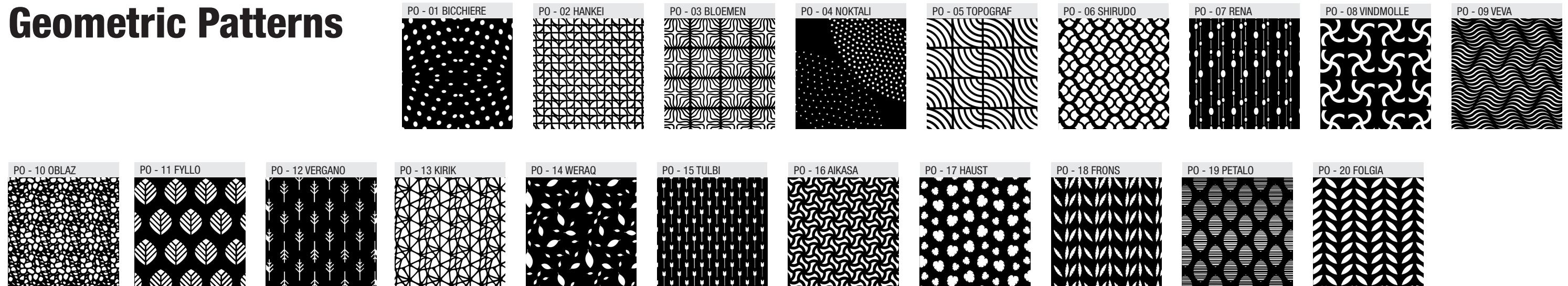
# Primary Patterns



# Organic Patterns



# Geometric Patterns





**DESIGN + ENGINEER + FABRICATE + INSTALL**

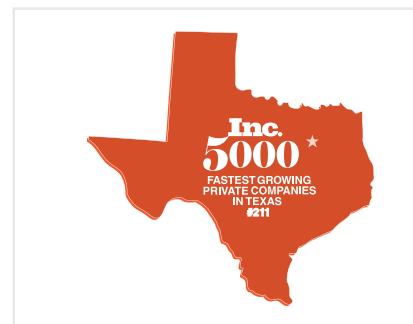
**151 W. Vista Ridge Mall Dr. Lewisville, TX 75067**

(Dallas/Fort Worth Metroplex)

PH: 972.353.8482 | [info@vivarailings.com](mailto:info@vivarailings.com)  
[vivarailings.com](http://vivarailings.com)



Inc. Magazine 500 | 5000  
VIVA RAILINGS, LLC.  
Among The Fastest Growing  
US Companies  
Eight Years in a Row  
**2012-2019**



Inc. Magazine 500 | 5000  
VIVA RAILINGS, LLC.  
Among The Fastest Growing  
Texas Companies  
**#211**



ICC-ES 4405 Certified  
**SHOE™**  
Structural Glass Railing System



LEED  
Material & Resources Credits 4.1 and 4.2



The American Institute of Architects



The California Contractors State License  
Board Certified

