



# LANDSCAPE SCREENS & FENCES

Turnkey Architectural Wall Systems. Engineered to Perform.

**METAL**  
SPACES  
A division of Viva Railings, LLC.



**VIVA RAILINGS**  
LEADERS IN ARCHITECTURAL RAILING SYSTEMS



# System Overview

 **Engineered laser-cut panel and screen systems for signature facades and complex installations**





 **CSI Division: 07 42200 – Custom Wall Panels**

 **Delivery Model: Turnkey (primary) or supply-only**

A freestanding architectural screen and fence system designed for exterior landscape, privacy, and site definition applications. Engineered with a 3×3 pregalvanized steel post-and-panel system, standard 8ft fence heights, and the full MetalSpaces pattern library for design flexibility.



## APPLICATIONS

-  **Privacy screens and landscape dividers:** commercial, hospitality, multifamily, and institutional outdoor spaces
-  **Site perimeter fencing:** property definition with architectural finish
-  **Exterior amenity areas:** pool, courtyard, terrace, and rooftop screening
-  **HVAC and equipment screening:** outdoor mechanical enclosures requiring design continuity

## KEY FEATURES

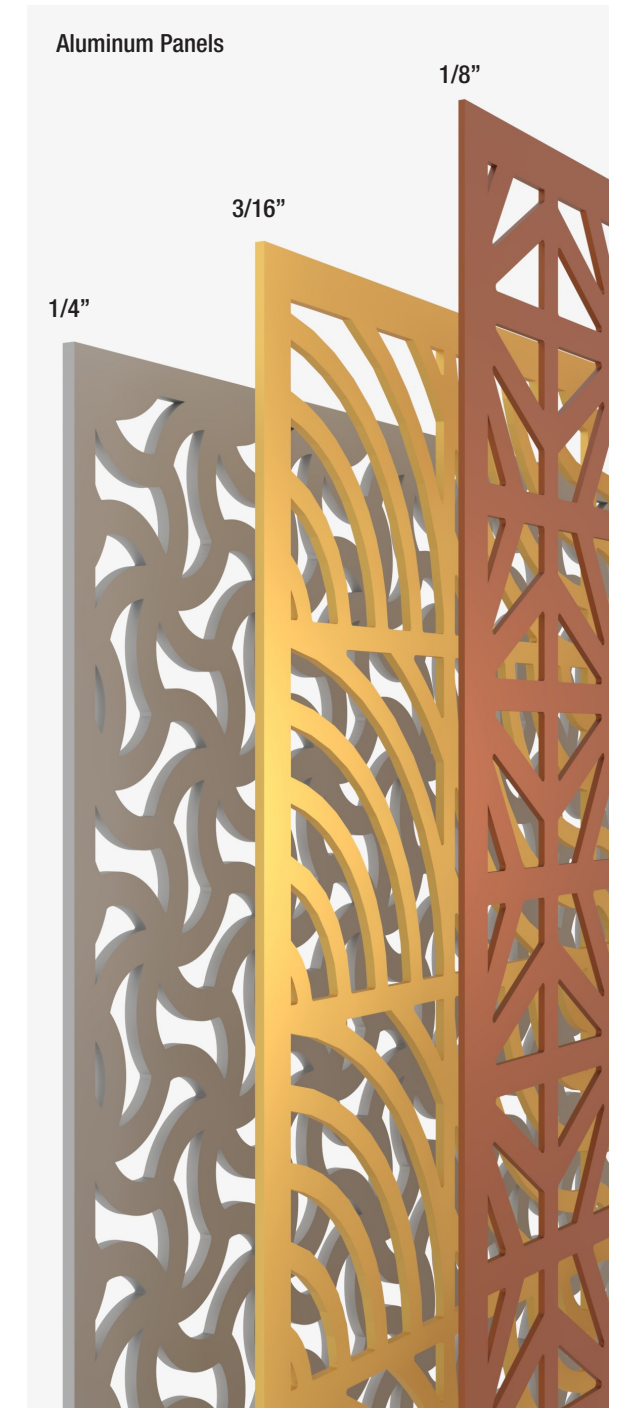
- **Post-and-Panel System:** 3×3 pregalvanized steel posts with post caps; standard 8ft fence panels (44×92" and 48×92")
- **Material Range:** Pregalvanized Steel, Aluminum (1/8", 3/16", 1/4"), Stainless Steel 14 Ga, Steel 14 Ga and 11 Ga
- **Finish Options:** Powder Coat (AAMA 2604), PVDF (AAMA 2605), Zinc-Rich Primer + Powder Coat, Mill Finish
- **Foundation Conditions:** Embed on slab (LS-T02), anchored to concrete footing on dirt (LS-T03), welded to embed footing on dirt (LS-T04)
- **Design Flexibility:** Full MetalSpaces pattern library or custom laser-cut patterns



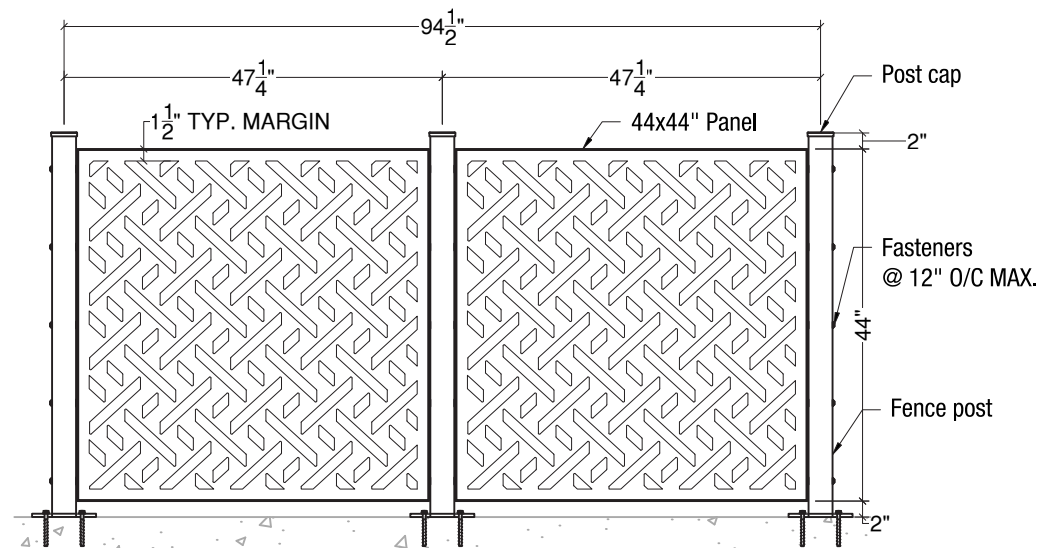
| APPLICATION                    | DIMENSIONS (IN)                           | PANEL MATERIAL                                   | FINISH  |
|--------------------------------|---|--|---|
| POST                           | 3 W x 3 H                                 | Pregalvanized Steel 1/8" Thk.                    | Zinc Rich Primer + Powder Coat<br>Mill Finish (paint by others)               |
| IN-LINE PANELS (BETWEEN POSTS) | 44 W x 44 H<br>44 W x 68 H<br>44 W x 92 H | Aluminum 1/8"<br>Aluminum 3/16"<br>Aluminum 1/4" | Powder Coat (AAMA 2604) \$ <sup>2</sup><br>PVDF (AAMA 2605) <sup>1</sup> \$\$ |
| SURFACE PANELS                 | 48 W x 44 H<br>48 W x 68 H<br>48 W x 92 H | Stainless Steel 14 Ga                            | Brushed Satin   |
|                                |   | Steel 14 Ga<br>Steel 11 Ga                       | Zinc Rich Primer + Powder Coat<br>Mill Finish (paint by others)               |

(1) Available as an Upgrade

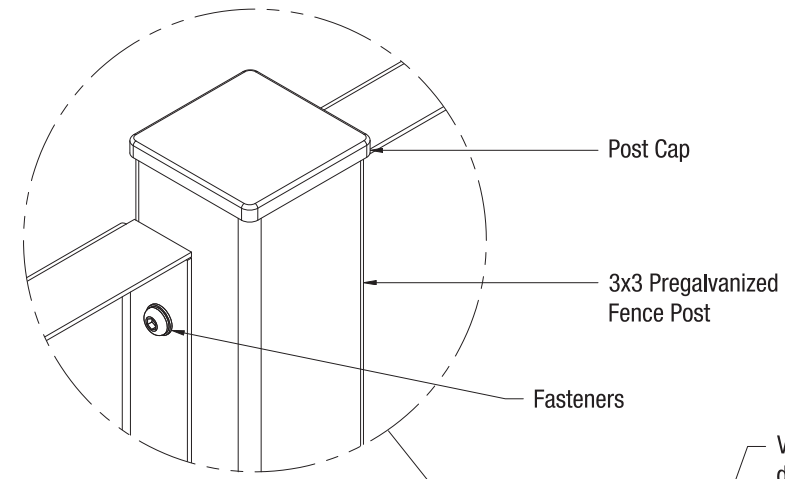
(2) \$ to \$\$\$: Indicates finish type comparative cost



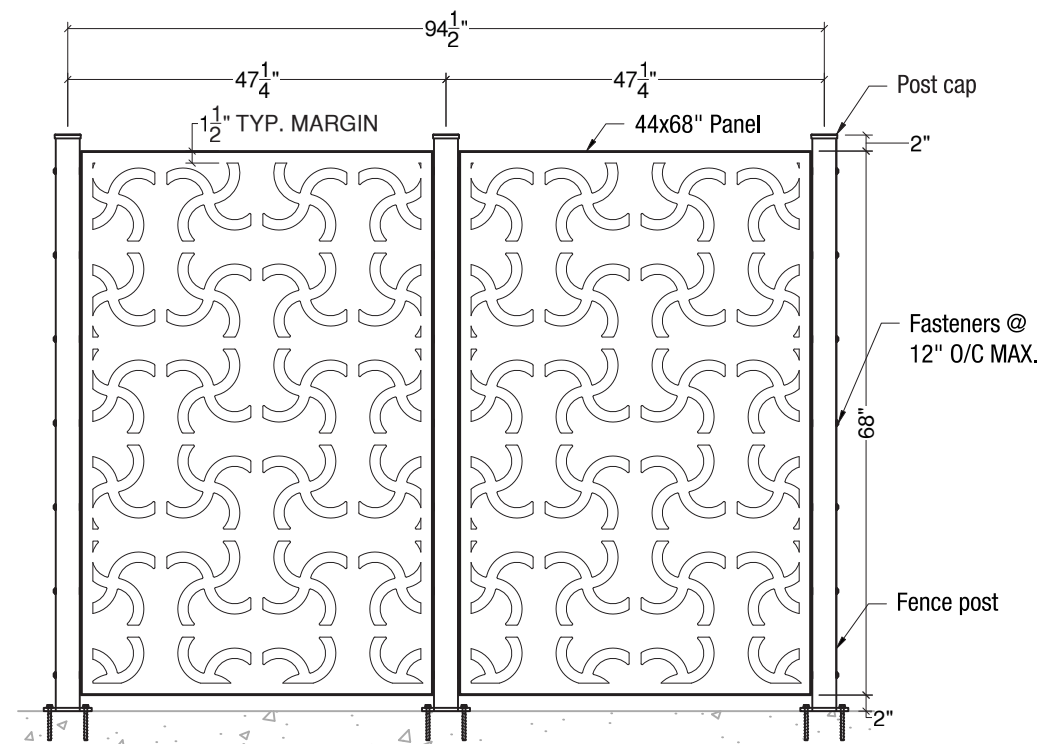
# Inline Panels



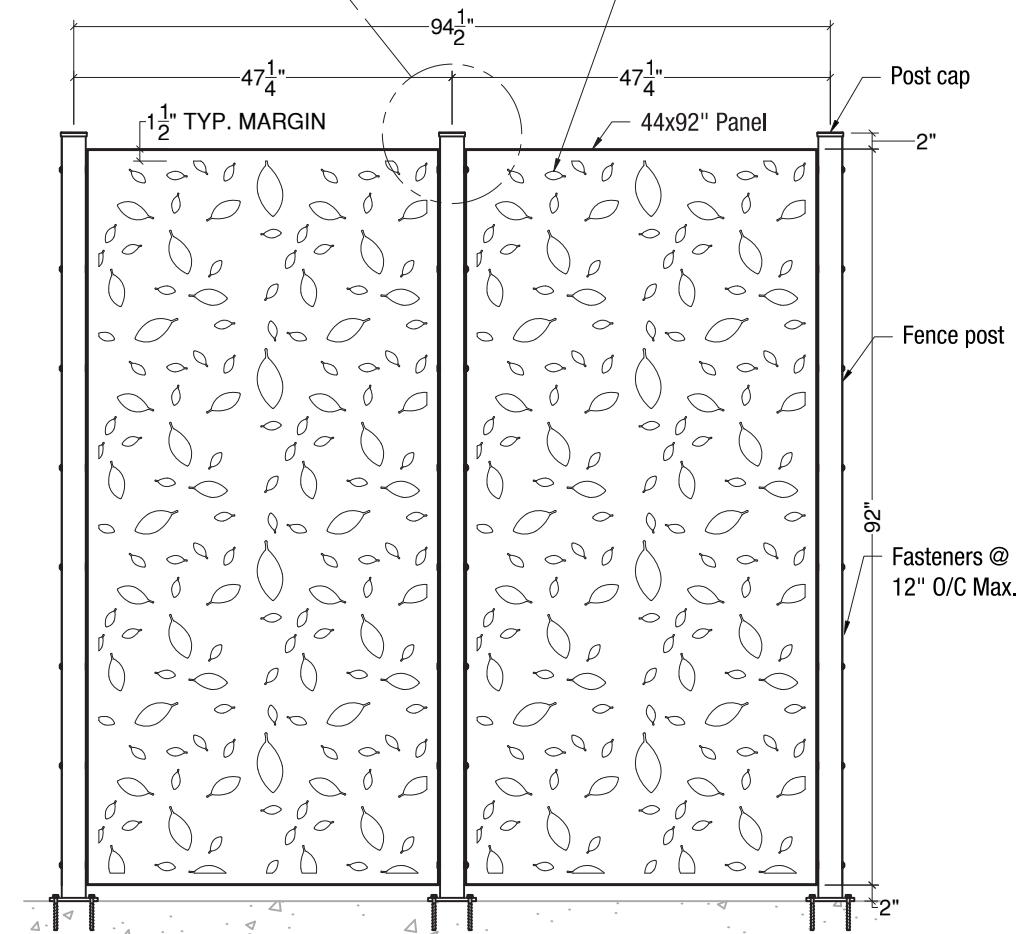
4ft Fence



Visit [VIVARAILINGS.COM](http://VIVARAILINGS.COM) for range of design patterns or provide your custom one.



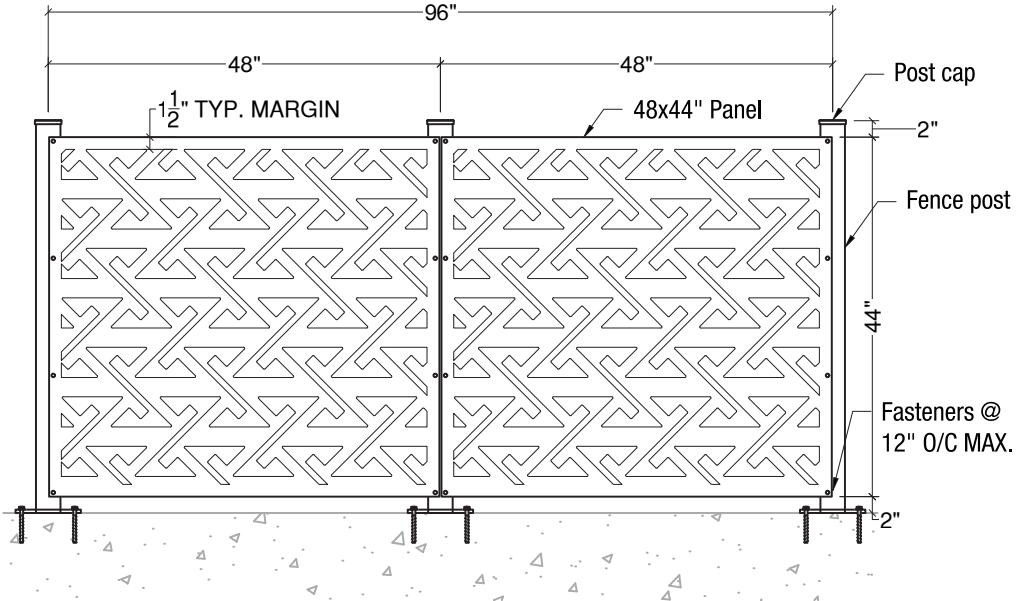
6ft Fence



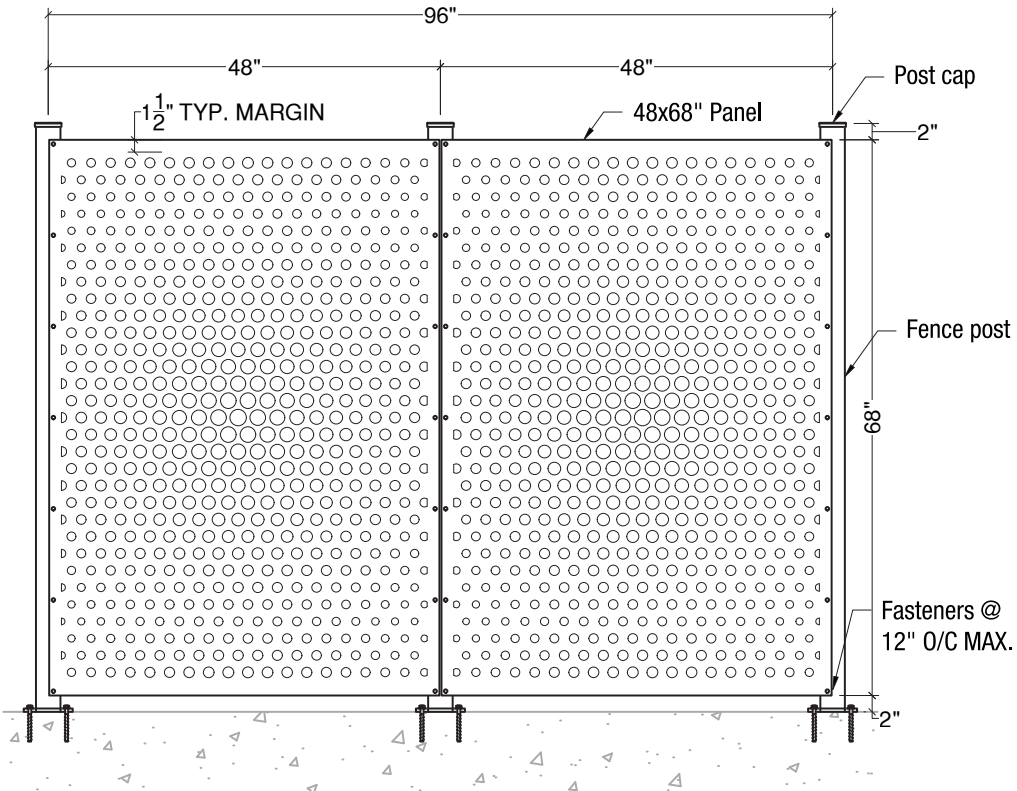
8ft Fence



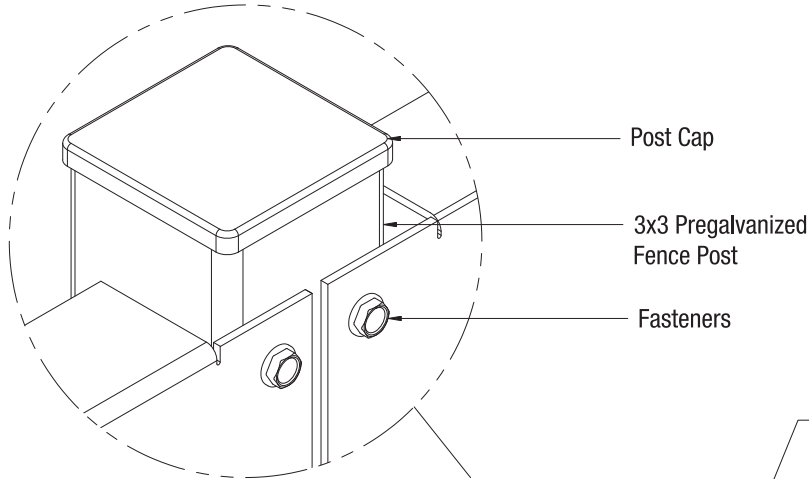
# Surface Panel



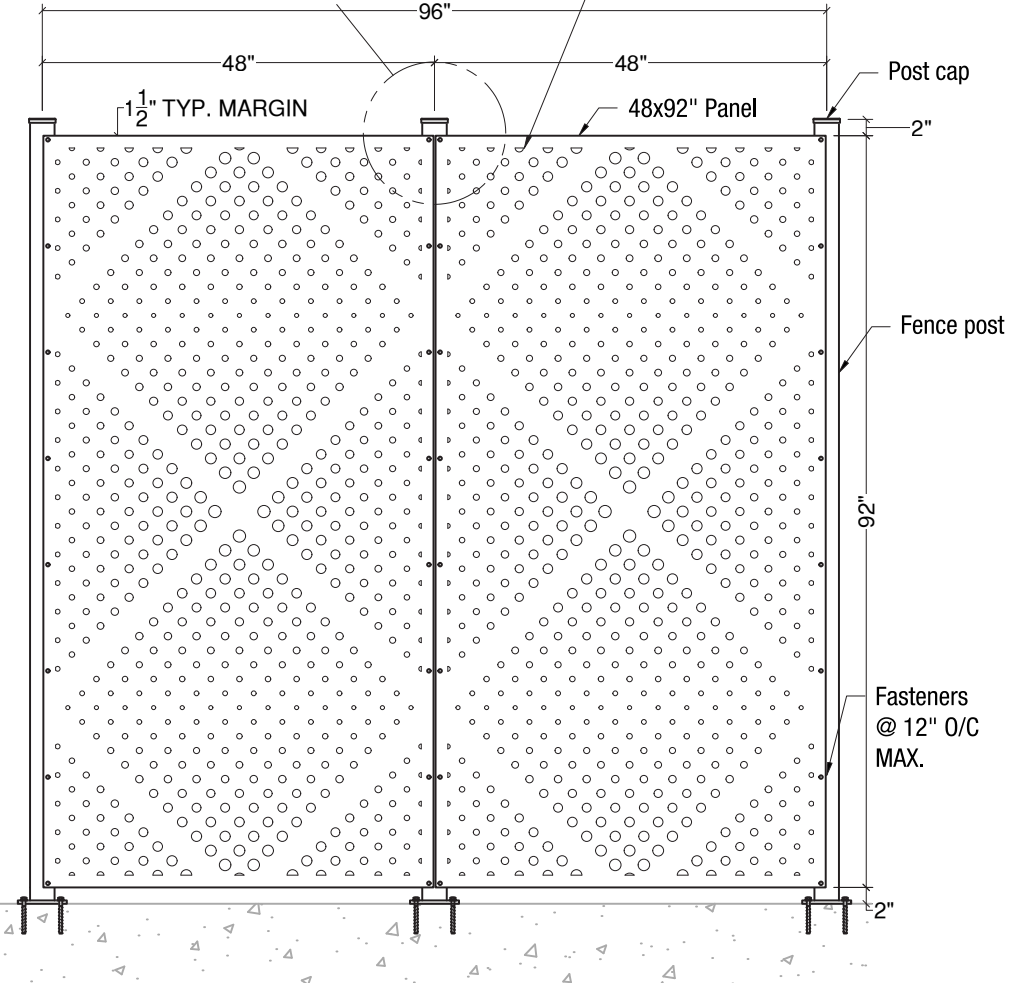
4ft Fence



6ft Fence



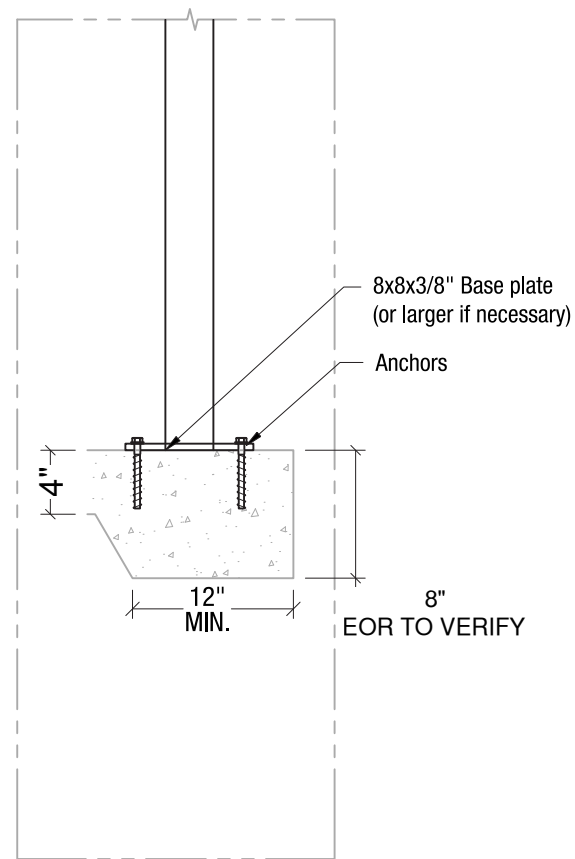
Visit [VIVARAILINGS.COM](http://VIVARAILINGS.COM) for range of design patterns or provide your custom one.



8ft Fence

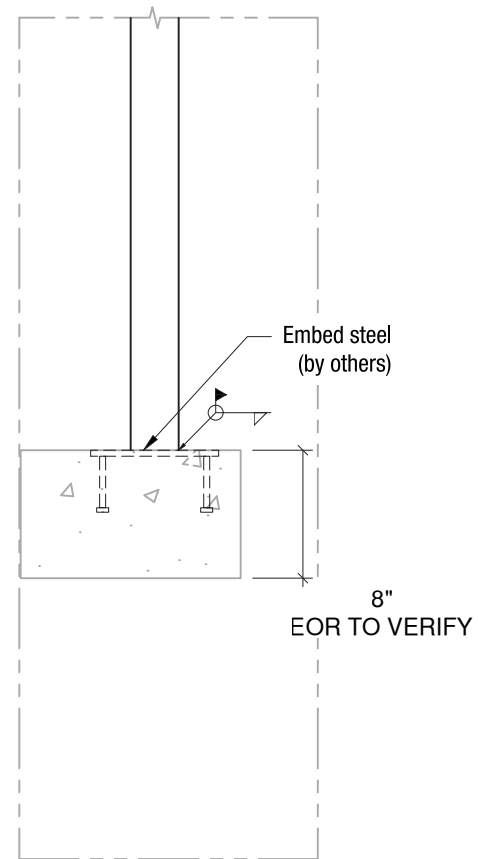


# Mounting Condition



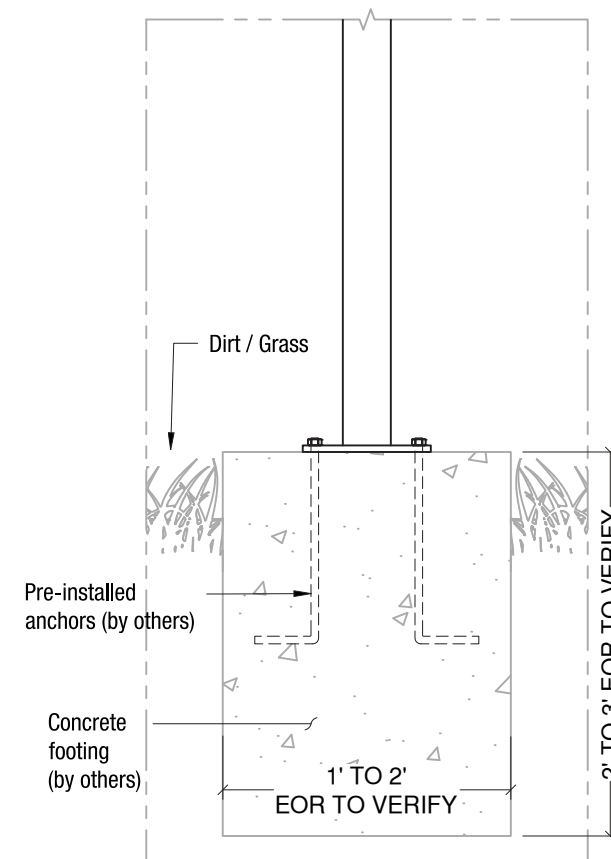
Anchored to Concrete<sup>1</sup> Slab - \$<sup>2</sup>  
Detail# LS-T01

1



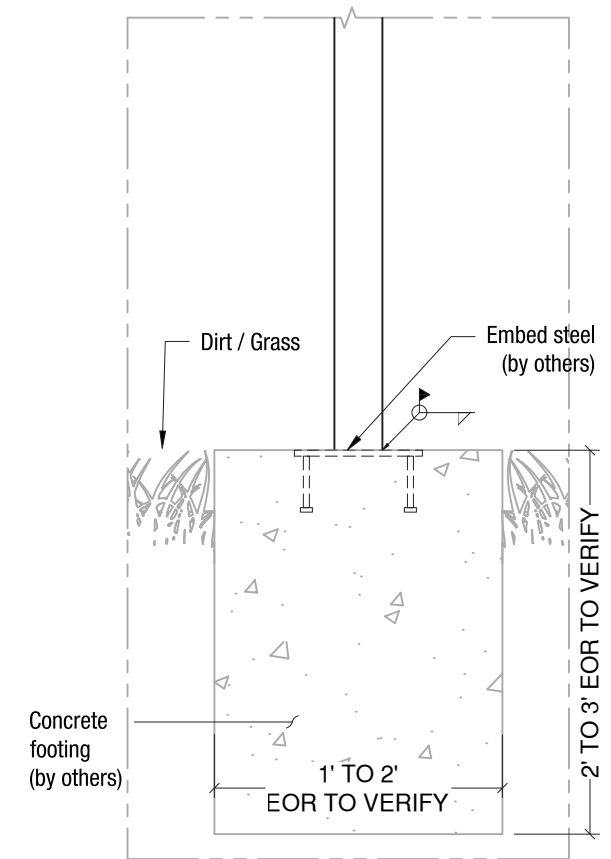
Welded to Embed on Slab - \$  
Detail# LS-T02

2



Anchored to Concrete Footing on Dirt - \$  
Detail# LS-T03

3



Welded to Embed Footing on Dirt - \$  
Detail# LS-T04

4

(1) Min. 4000 PSI concrete, Typ.  
(2) \$ to \$\$\$: Indicates finish type comparative cost.

# Pattern Collections

## Where Performance Meets Personality

At MetalSpaces, we know that WallScapes are more than functional barriers—they are expressive design elements that shape the identity of a space. Our curated pattern categories are tailored for wall applications requiring both aesthetic strength and technical excellence:

### **Primary**

Crisp, modern, and minimal — these linear patterns add structure and repetition to building exteriors.

### **Geometric**

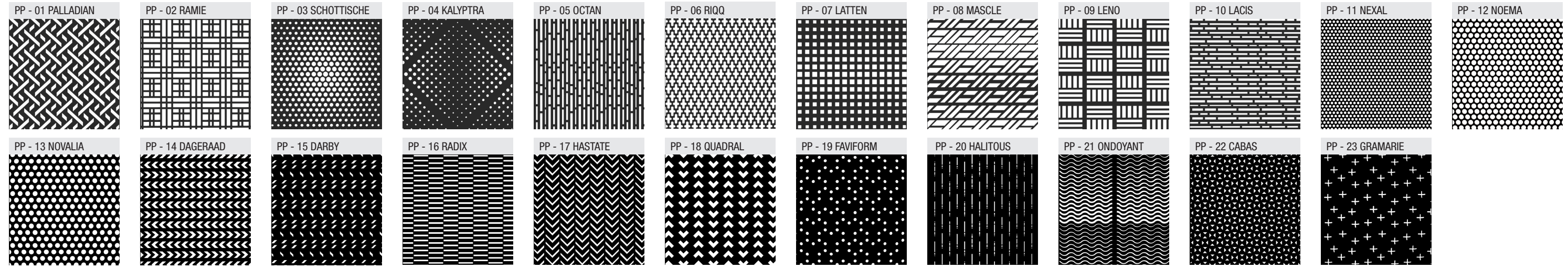
Symmetrical, tessellated designs that bring rhythm and movement to facades.

### **Organic**

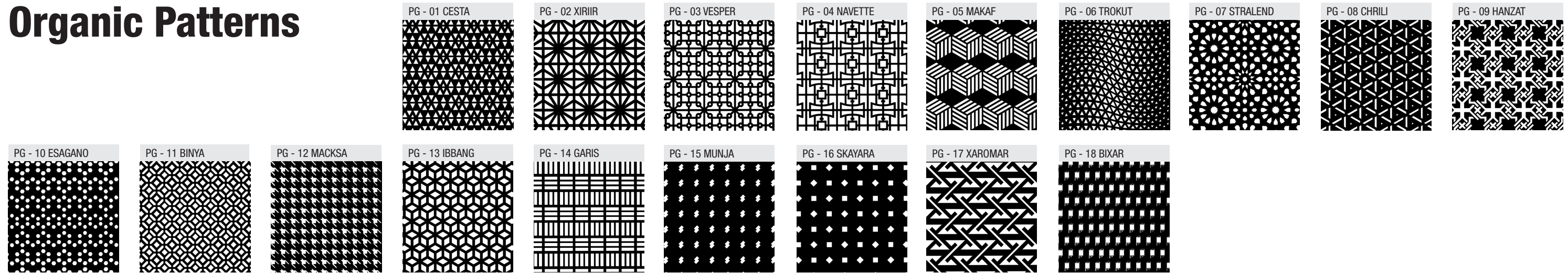
Soft, flowing forms that evoke nature. A biophilic touch in even the most urban environments.



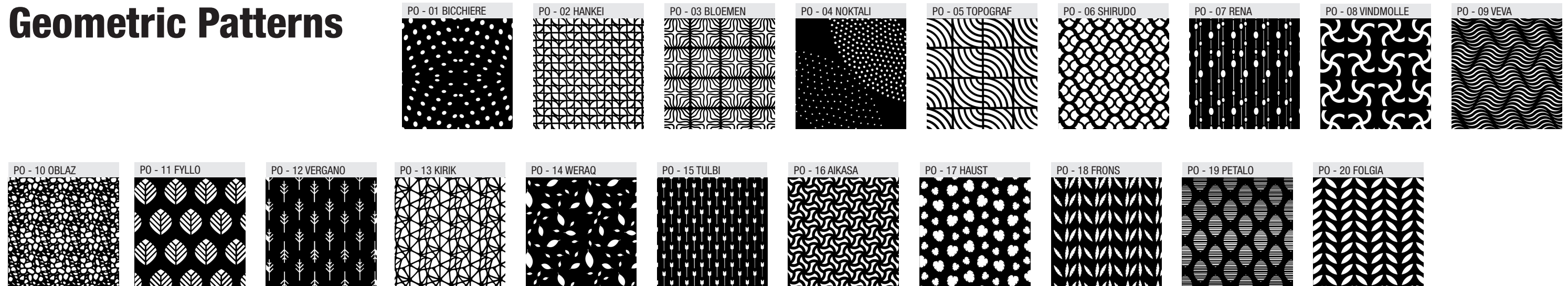
# Primary Patterns



# Organic Patterns



# Geometric Patterns





**DESIGN + ENGINEER + FABRICATE + INSTALL**

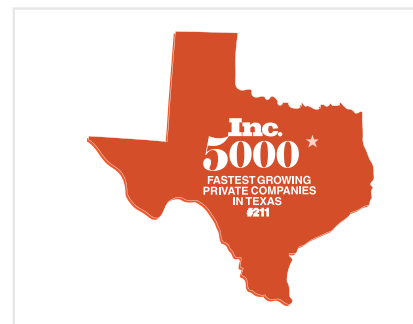
**151 W. Vista Ridge Mall Dr. Lewisville, TX 75067**

(Dallas/Fort Worth Metroplex)

PH: 972.353.8482 | [info@vivarailings.com](mailto:info@vivarailings.com)  
[vivarailings.com](http://vivarailings.com)



Inc. Magazine 500 | 5000  
VIVA RAILINGS, LLC.  
Among The Fastest Growing  
US Companies  
Eight Years in a Row  
**2012-2019**



Inc. Magazine 500 | 5000  
VIVA RAILINGS, LLC.  
Among The Fastest Growing  
Texas Companies  
**#211**



ICC-ES 4405 Certified  
**SHOE™**  
Structural Glass Railing System



LEED  
Material & Resources Credits 4.1 and 4.2



The American Institute of Architects



The California Contractors State License  
Board Certified

