

iRAIL - SCONCE LED System

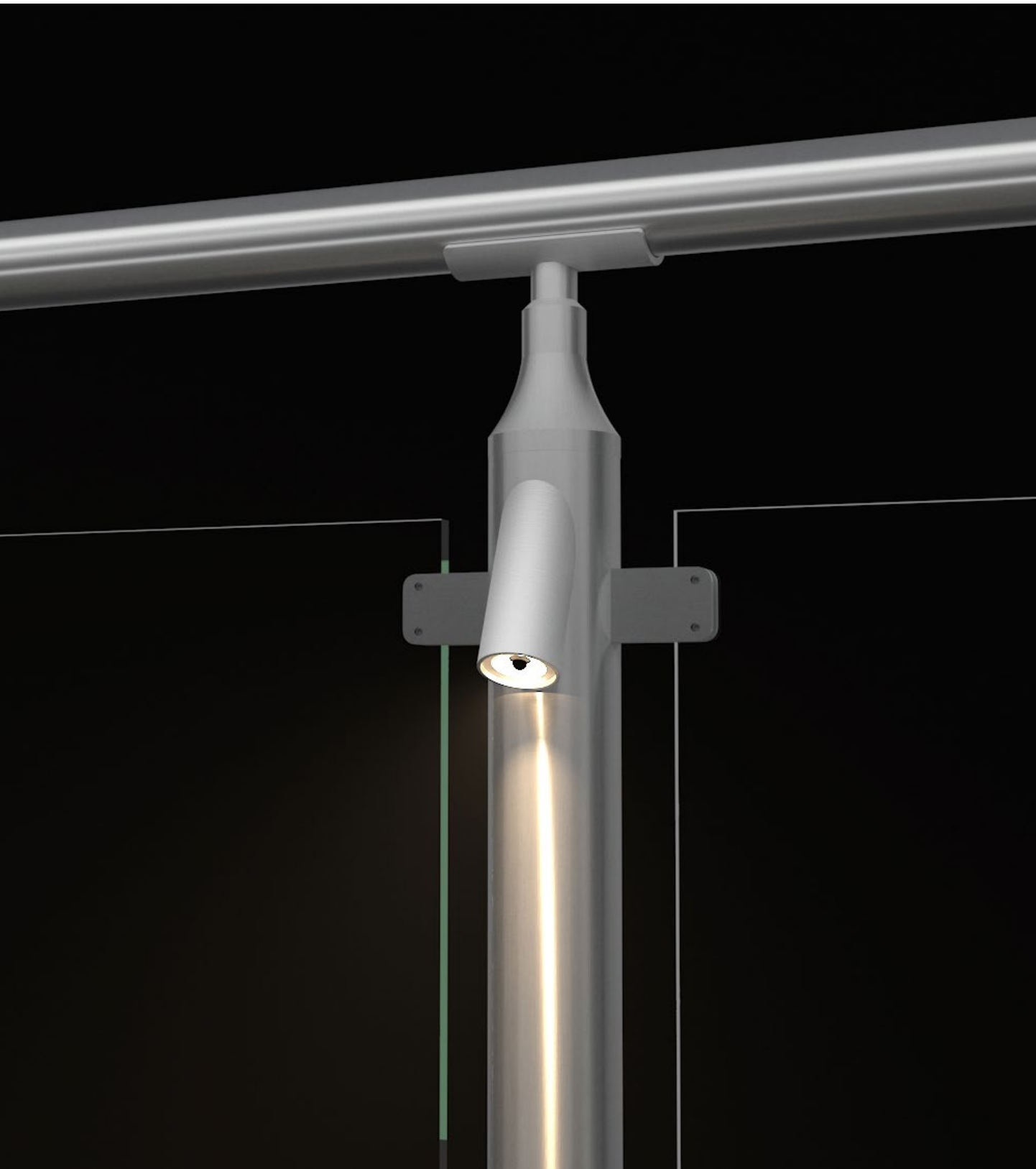
Lighting Integration for Architectural Railings



DESIGN * ENGINEER * FABRICATE * INSTALL



iRAIL SCONCE LED SYSTEM



The LED Sconce is a compact and elegantly integrated lighting fixture offered as an accent illumination option within VIVA Railings systems. Designed to provide subtle yet effective lighting, the LED Sconce mounts directly onto the railing post, casting a soft downward glow that enhances both safety and aesthetics without visual clutter.

Key Features:


- Post-mounted LED fixture, seamlessly blending with the overall railing architecture.
- Directional lighting, ideal for pathways, corridors, or stairways where visibility is essential.
- Clean, minimalistic form, aligning with modern architectural themes.
- Compatible with VIVA systems such as WAVE, CIRCA, CUBE and FSR
- ETL certified, ensuring compliance with North American safety standards.
- This sconce provides a beautiful architectural detail while fulfilling a practical role in low-light environments.



DETAILS



TOP RAIL / HAND RAIL	FINISH	SPEC
Ø2" Post Stainless steel (304 or 316)	#6 Satin	Color: 3000K Warm White or 4000K Cool White. Output: 3W/light - 212lm Sym. Beam Angle: 120° Orientation: 25° Power: Input 120 - 277 V AC, Output 24 V DC Lens: Frosted CRI: >80 Rating: IP67
2"X2" Post Stainless Steel (304 or 316)		
Ø2" Post Stainless steel (201)	Powder Coat	
2"X2" Post Stainless Steel (201)		

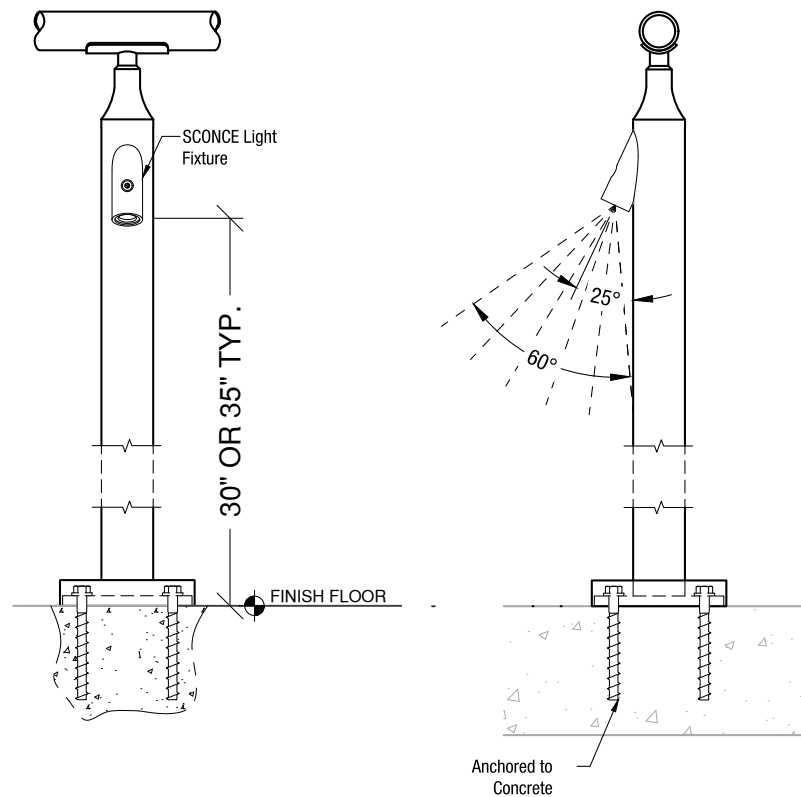
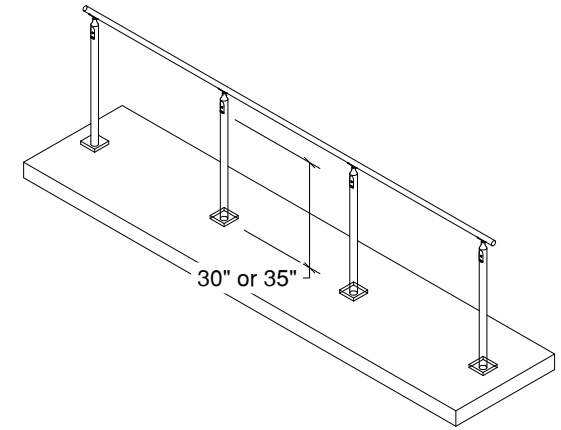
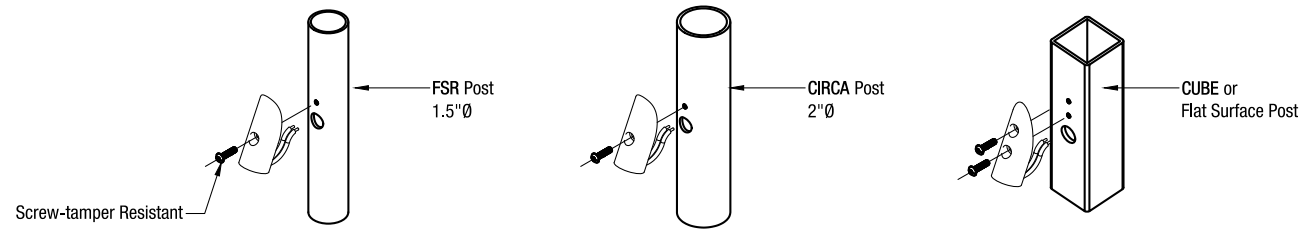
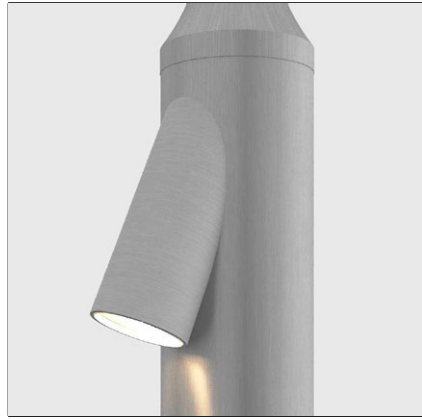


Intertek

All LED SCONCE products are ETL certified; ETL mark is proof of product compliance to North American safety standard.



OVERVIEW

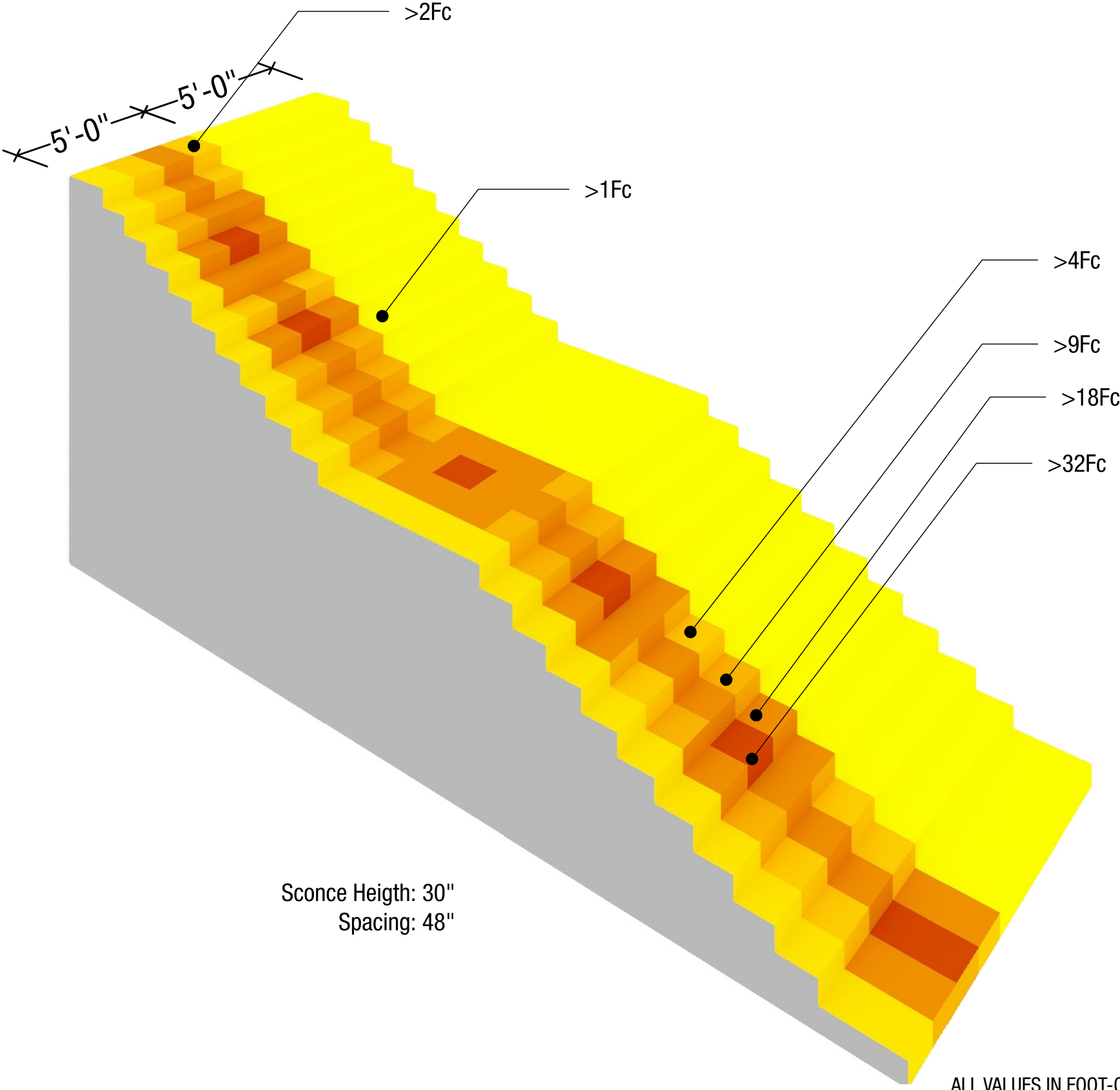
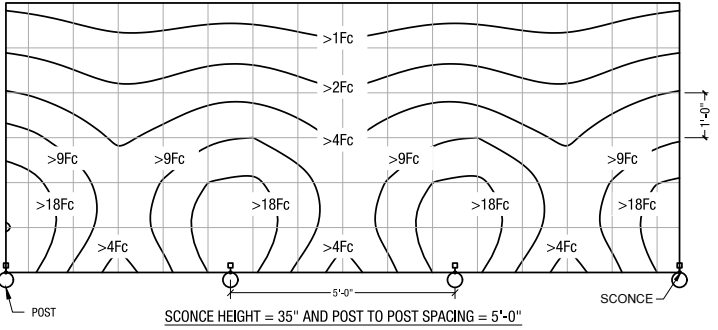
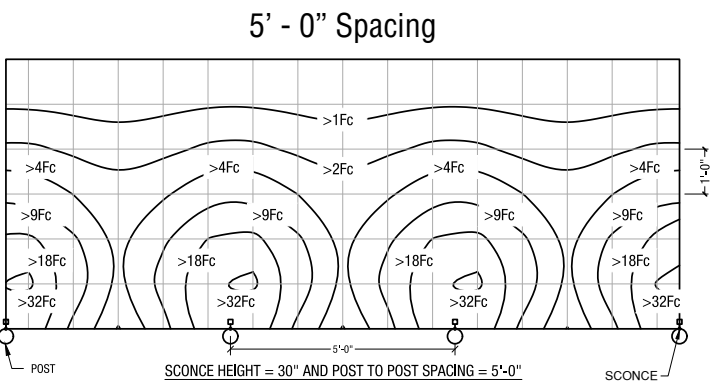
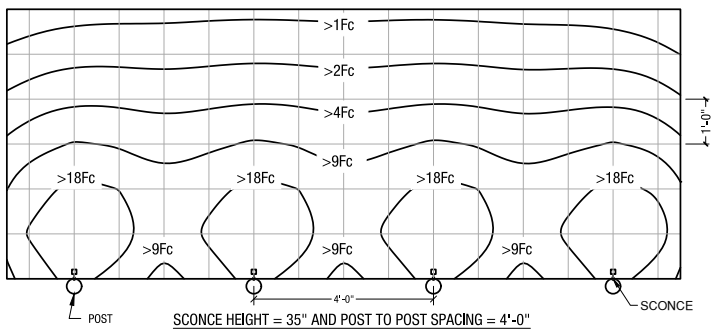
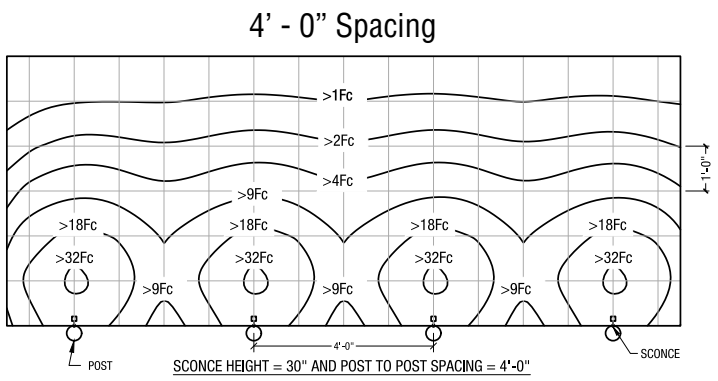


VIVA RAILINGS IS NOT RESPONSIBLE FOR THE STRUCTURAL INTEGRITY OF ANY BUILDING SYSTEMS OR OTHER MATERIALS NOT FURNISHED BY VIVA RAILINGS. VIVA RAILINGS HAS NO WAY OF KNOWING AND SPECIFICALLY DISCLAIMS WHETHER OR NOT THE BUILDING SYSTEMS TO WHICH VIVA RAILINGS' PRODUCTS ARE TO BE ATTACHED ARE STRUCTURALLY SOUND OR DESIGNED TO PROPERLY SUPPORT VIVA RAILINGS'S MATERIALS. ANY SUCH DESIGN RESPONSIBILITY BELONGS TO OTHERS FOR WHOM VIVA RAILINGS IS NOT RESPONSIBLE. THESE DRAWINGS ARE INTENDED FOR THE SOLE USE OF VIVA RAILINGS' CUSTOMER AND THEIR AGENTS FOR THE INSTALLATION OF PRODUCTS FURNISHED BY VIVA RAILINGS. VIVA RAILINGS REMAINS THE SOLE OWNER OF ALL DESIGNS AND INTELLECTUAL PROPERTY CONTAINED WITHIN. REPRODUCTION AND USE OF THESE DESIGNS FOR ANY OTHER PURPOSE IS FORBIDDEN. SCALES ARE PROVIDED FOR REFERENCE ONLY. FOR PRODUCT INFORMATION AND TECHNICAL SUPPORT, PLEASE CONTACT VIVA RAILINGS.



DISPERSION DIAGRAM

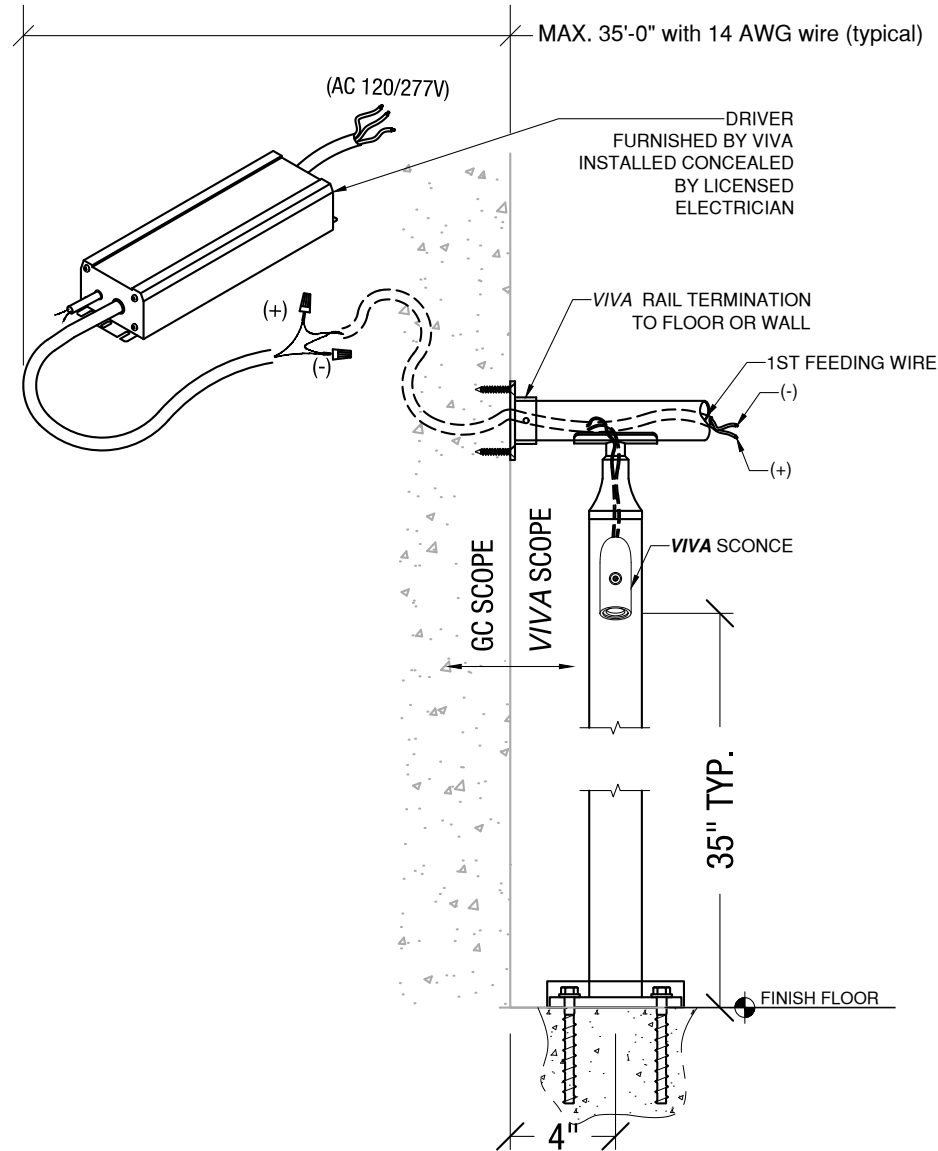
Legend	
Color	Intensity (ft/cl)
Yellow	>1ft/cl
Light Orange	>2ft/cl
Orange	>4ft/cl
Dark Orange	>9ft/cl
Red-Orange	>18ft/cl
Red	>32ft/cl
Dark Red	>45ft/cl
Dark Red	>75ft/cl



VIVA RAILINGS IS NOT RESPONSIBLE FOR THE STRUCTURAL INTEGRITY OF ANY BUILDING SYSTEMS OR OTHER MATERIALS NOT FURNISHED BY VIVA RAILINGS. VIVA RAILINGS HAS NO WAY OF KNOWING AND SPECIFICALLY DISCLAIMS WHETHER OR NOT THE BUILDING SYSTEMS TO WHICH VIVA RAILINGS' PRODUCTS ARE TO BE ATTACHED ARE STRUCTURALLY SOUND OR DESIGNED TO PROPERLY SUPPORT VIVA RAILINGS'S MATERIALS. ANY SUCH DESIGN RESPONSIBILITY BELONGS TO OTHERS FOR WHOM VIVA RAILINGS IS NOT RESPONSIBLE. THESE DRAWINGS ARE INTENDED FOR THE SOLE USE OF VIVA RAILINGS' CUSTOMER AND THEIR AGENTS FOR THE INSTALLATION OF PRODUCTS FURNISHED BY VIVA RAILINGS. VIVA RAILINGS REMAINS THE SOLE OWNER OF ALL DESIGNS AND INTELLECTUAL PROPERTY CONTAINED WITHIN. REPRODUCTION AND USE OF THESE DESIGNS FOR ANY OTHER PURPOSE IS FORBIDDEN. SCALES ARE PROVIDED FOR REFERENCE ONLY. FOR PRODUCT INFORMATION AND TECHNICAL SUPPORT, PLEASE CONTACT VIVA RAILINGS.

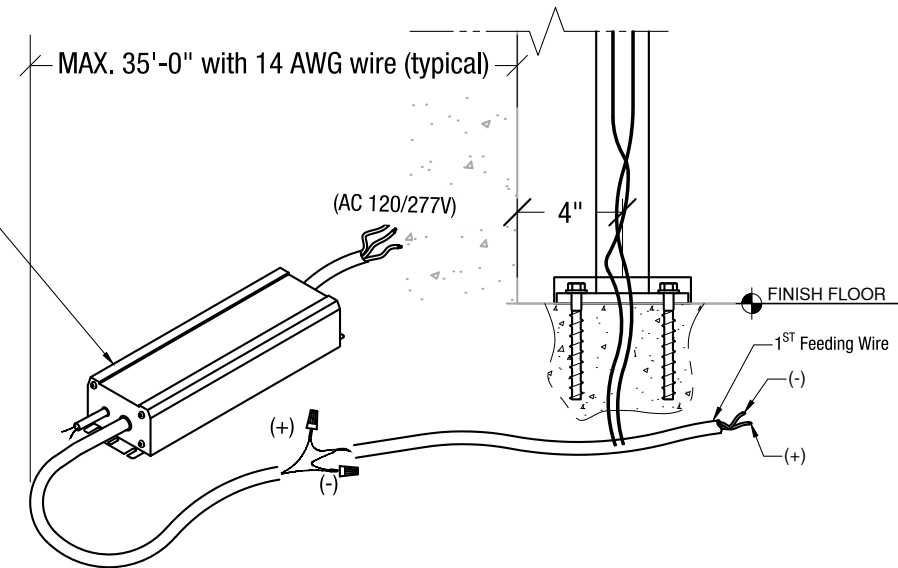


LIGHTED POST



DRIVER SET FURNISHED BY VIVA INSTALLED CONCEALED BY LICENSED ELECTRICIAN.

TO BE INSTALLED IN DRY ENVIRONMENT OR WITHIN A NEMA-RATED ENCLOSURE.



Feeding trough post

iRail SCENCE Order Code:

IR-SCO- C2 -304-30K

Light color: Warm white 3000k 30K
Cool white 4000k 40K

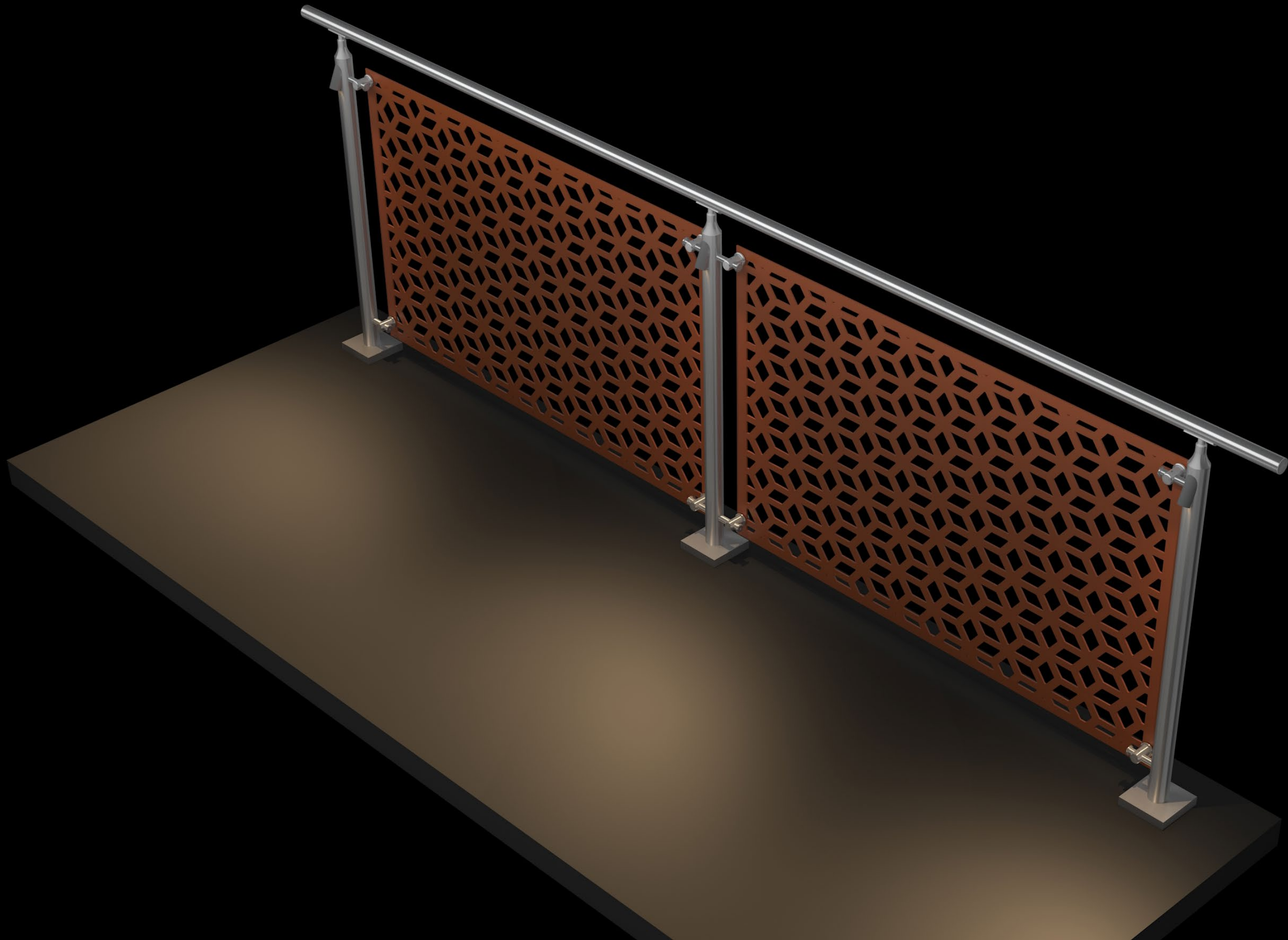
Alloy Composition: Stainless Steel 304 304
Stainless Steel 316 316
Stainless Steel 201 201

Available Applications: Ø2" Tube C2
Tubular Flat Surfaces SQ
Ø1.5" Tube C1

iRAIL Sconce SCO

VIVA RAILINGS IS NOT RESPONSIBLE FOR THE STRUCTURAL INTEGRITY OF ANY BUILDING SYSTEMS OR OTHER MATERIALS NOT FURNISHED BY VIVA RAILINGS. VIVA RAILINGS HAS NO WAY OF KNOWING AND SPECIFICALLY DISCLAIMS WHETHER OR NOT THE BUILDING SYSTEMS TO WHICH VIVA RAILINGS' PRODUCTS ARE TO BE ATTACHED ARE STRUCTURALLY SOUND OR DESIGNED TO PROPERLY SUPPORT VIVA RAILINGS'S MATERIALS. ANY SUCH DESIGN RESPONSIBILITY BELONGS TO OTHERS FOR WHOM VIVA RAILINGS IS NOT RESPONSIBLE. THESE DRAWINGS ARE INTENDED FOR THE SOLE USE OF VIVA RAILINGS' CUSTOMER AND THEIR AGENTS FOR THE INSTALLATION OF PRODUCTS FURNISHED BY VIVA RAILINGS. VIVA RAILINGS REMAINS THE SOLE OWNER OF ALL DESIGNS AND INTELLECTUAL PROPERTY CONTAINED WITHIN. REPRODUCTION AND USE OF THESE DESIGNS FOR ANY OTHER PURPOSE IS FORBIDDEN. SCALES ARE PROVIDED FOR REFERENCE ONLY. FOR PRODUCT INFORMATION AND TECHNICAL SUPPORT, PLEASE CONTACT VIVA RAILINGS.





iRAIL LIGHTED RAILING SYSTEM GRANITE PARK VI

GRANITE PARK VI - PLANO, TX
General Contractor: Austin Comm.
Architect: BOKA Powell



iRAIL LIGHTED RAILING SYSTEM MCGRATH AMPHITHEATRE VENUE

MCGRATH AMPHITHEATRE - CEDAR RAPIDS, IA
General Contractor: Justice Electric



iRAIL LIGHTED RAILING SYSTEM CHOCTAW CASINO & RESORT

CHOCTAW CASINO & RESORT - DURANT, OK
General Contractor: TEPCO Glass
Architect: JCJ Architecture



iRAIL LIGHTED RAILING SYSTEM ANDRETTI / GRANDSCAPE

ANDRETTI / GRANDSCAPE - THE COLONY, TX
General Contractor: VCC Construction Corp.
Architect: Merriman - MAA Architects





DESIGN + ENGINEER + FABRICATE + INSTALL

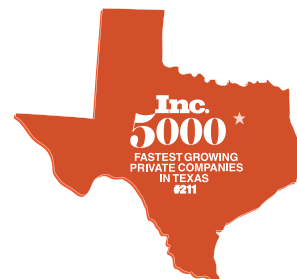
151 W. Vista Ridge Mall Dr. Lewisville, TX 75067

(Dallas/Fort Worth Metroplex)

PH: 972.353.8482 | info@vivarailings.com
vivarailings.com



Inc. Magazine 500 | 5000
VIVA RAILINGS, LLC.
Among The Fastest Growing
US Companies
Eight Years in a Row
2012-2019



Inc. Magazine 500 | 5000
VIVA RAILINGS, LLC.
Among The Fastest Growing
Texas Companies
#211



ICC-ES 4405 Certified
SHOE™
Structural Glass Railing System



LEED
Material & Resources Credits 4.1 and 4.2



The American Institute of Architects



The California Contractors State License
Board Certified