

CIRCA™ PICKET RAILING SYSTEM PRODUCT DATA



VIVA RAILINGS
LEADERS IN ARCHITECTURAL RAILING SYSTEMS

DESIGN + ENGINEER + FABRICATE + INSTALL

CIRCA - AVAILABLE INFILLS

Glass

Perforated Metal

Wire Mesh

Picket Panel

CableNet

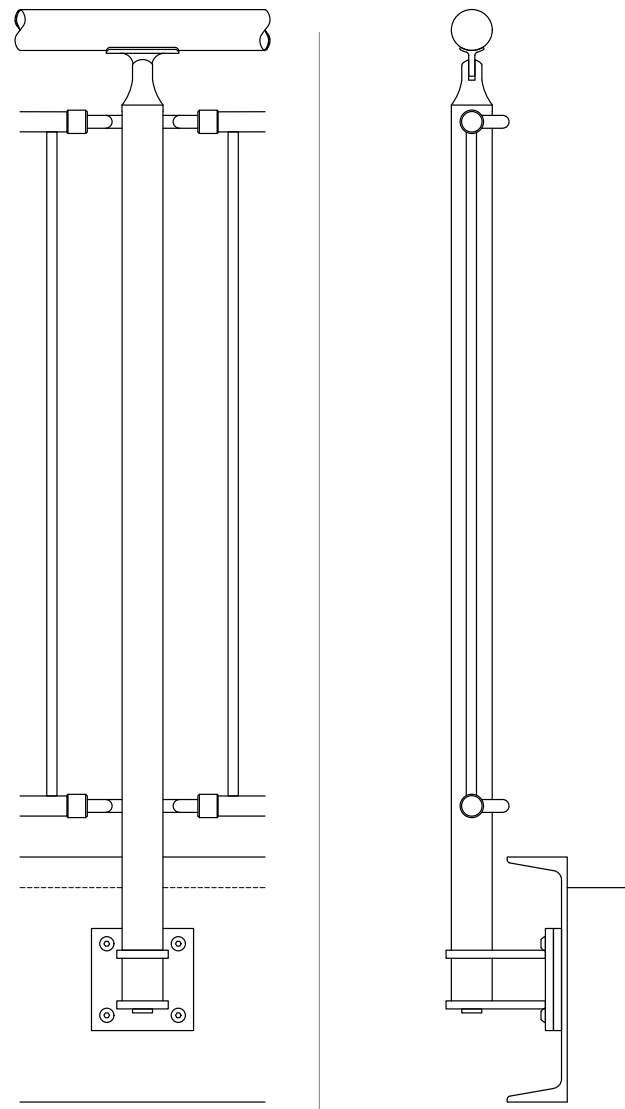
Multiline

Cable

Laser Cut Panel



CIRCA™ PICKET RAILING SYSTEM

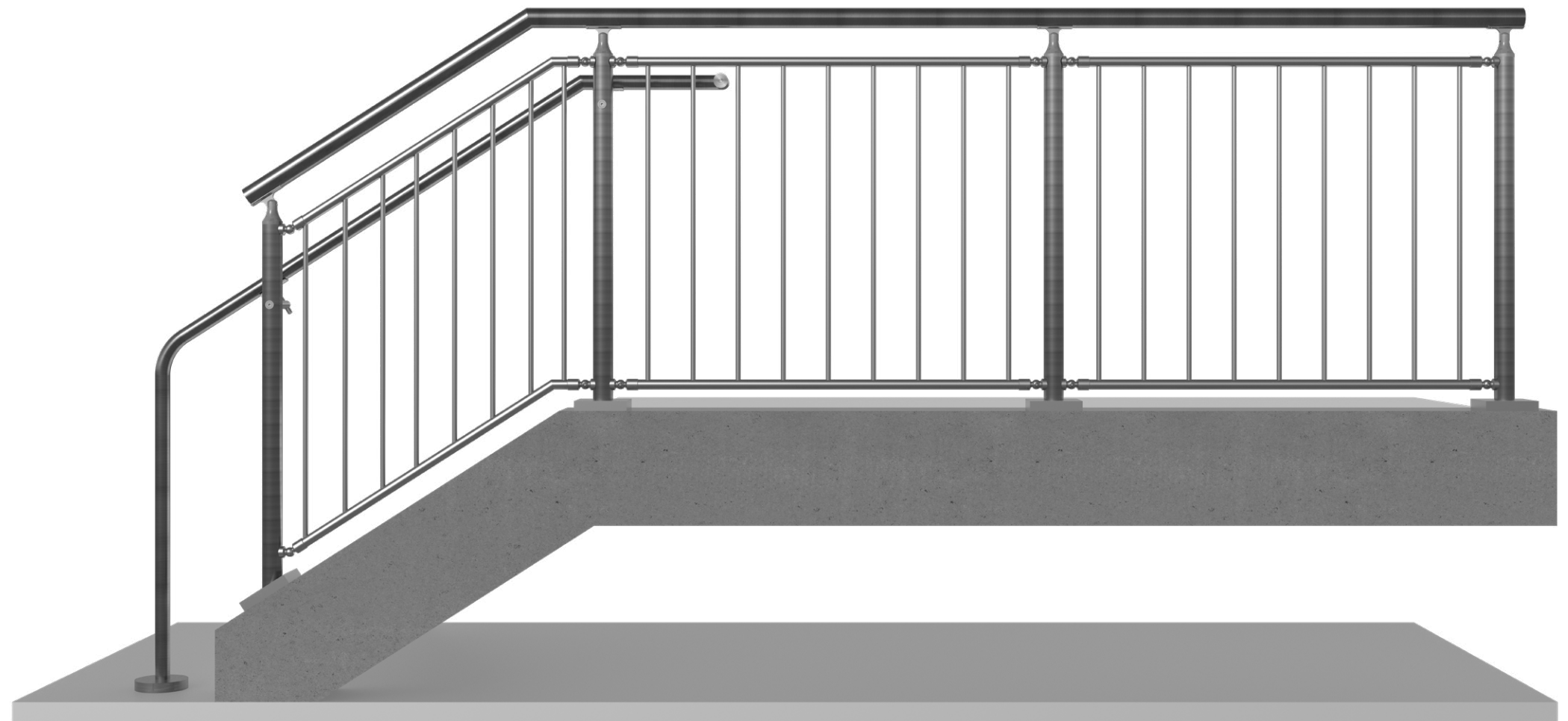


Other mounting options available.

CIRCA - AVAILABLE INFILLS

- Glass
- Perforated Metal
- Wire Mesh
- Picket Panel
- CableNet
- Multiline
- Cable
- Laser Cut Panel

Our CIRCA Stainless Steel Railing System provides a simple yet timeless look. The system consists of round tubular posts and the railing in-fill between the posts is mounted via fixed point holders.



CIRCA™ GLASS & METAL SYSTEM - TECHNICAL DATA



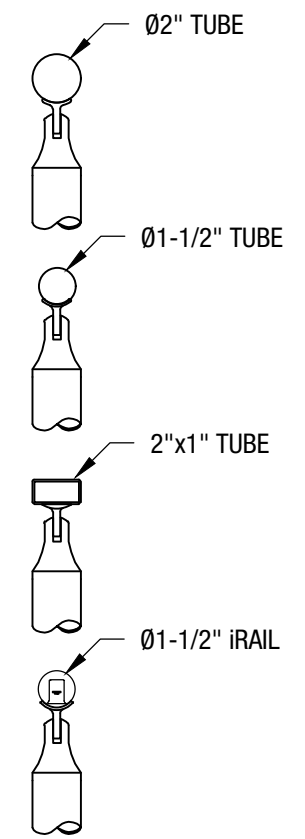
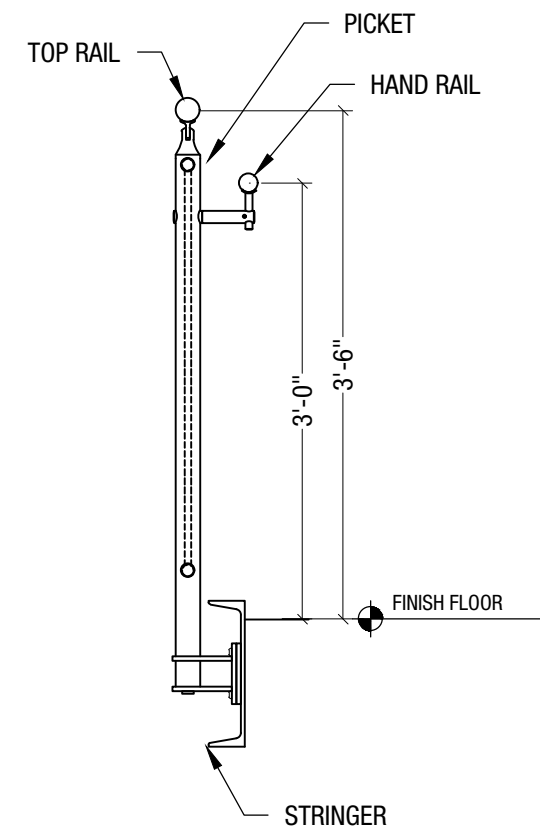
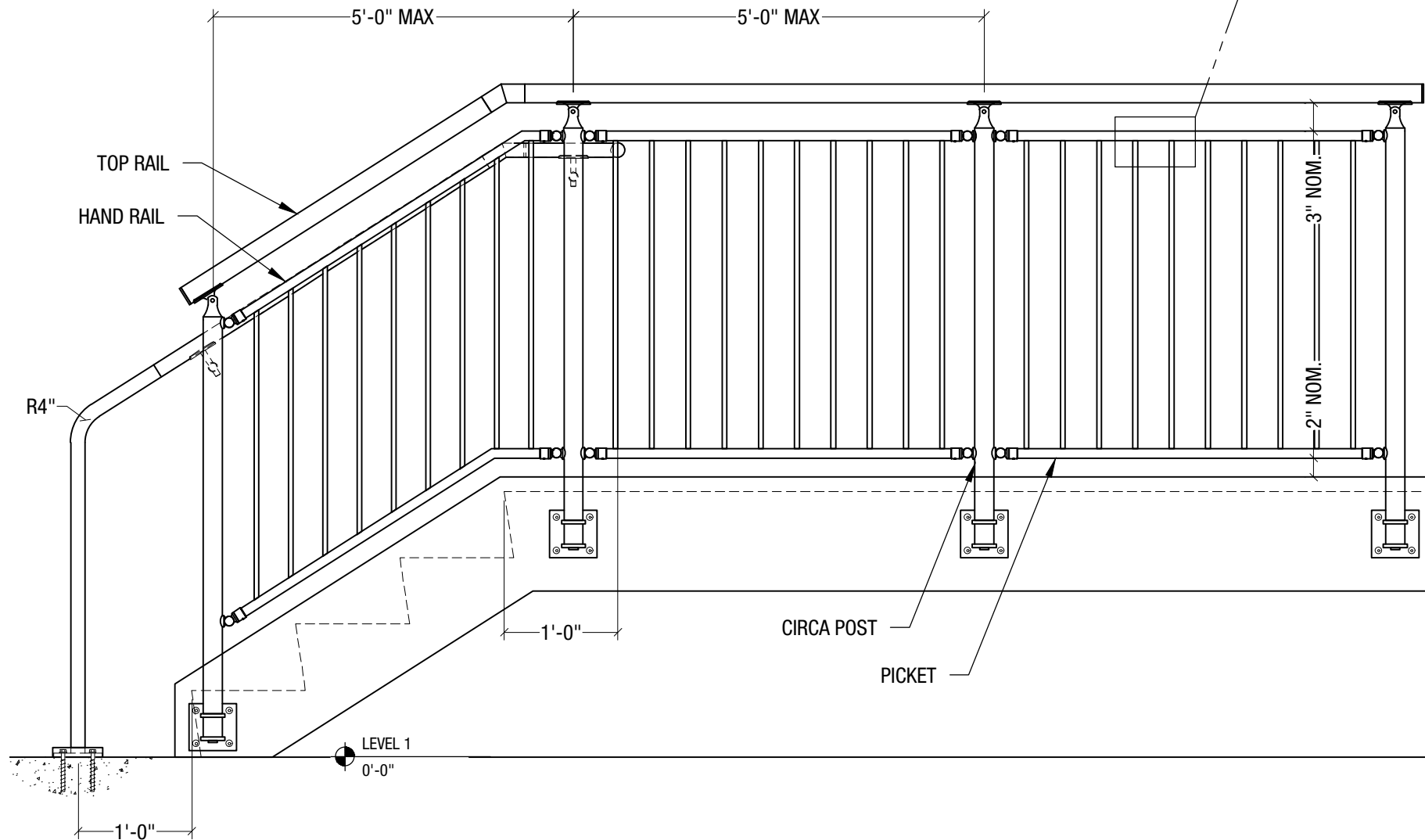
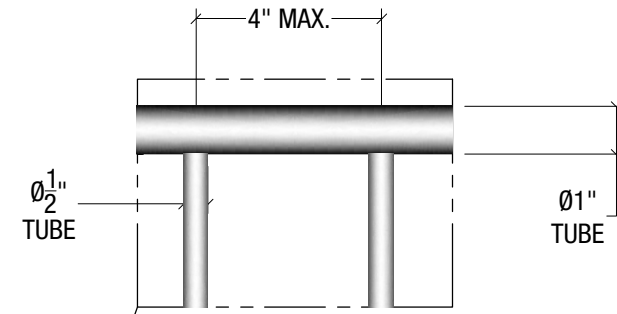
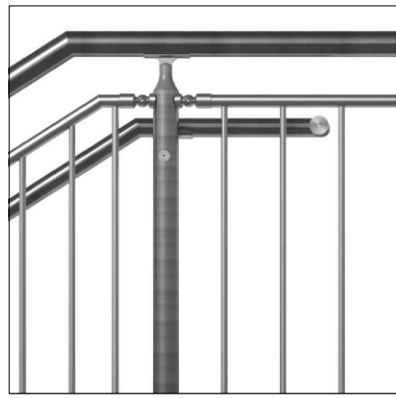
	MATERIAL	FINISH	SIZE/SPACING
POST	Stainless Steel (304 or 316) Stainless Steel (201)	#6 Satin CeraShield (Recommended) Powder Coat PVDF <small>VIVA Standard: All brackets, spiders, and accessories are satin finish stainless steel and are not coated. A coated finish is available upon request.</small>	Ø2" @ 5'-0" max. O.C. 4'-6" max. for perforated and wire mesh infill. 4'-0" max. for Multiline and cable infill. Fascia, Top or Core mount.
INFILL OPTIONS	Glass	Clear, Digitally Printed, Tinted, Colored Interlayer	Min. 3/8" laminated glass with PVB or SGP interlayer ¹ Glass standard thickness: 3/8", 1/2", 5/8", 3/4" Interlayer standard thickness: SGP: 0.035", 0.06" PVB: 0.035"
	Picket	#6 Satin CeraShield (Recommended) Powder Coat PVDF	1" wide frame
	Perforated Metal	CeraShield (Recommended) Powder Coat PVDF	1/4" thick aluminum
	Laser Cut	#6 Satin	1" wide frame
	Steel Wire Mesh Weld <small>Applies for WM-38ST and WM-50ST wire mesh options.</small>	#6 Satin	Ø1/2" multiline
	Stainless Steel Wire Mesh Weld <small>Applies for WM-38SS and WM-50SS wire mesh options.</small>	#6 Satin	Ø3/16" cable
	Stainless Steel Wire Mesh Woven <small>Applies for WM-10SS, WM-11SS, WM-13SS and WM-14SS wire mesh options.</small>	#6 Satin	Ø1" frame, Ø1/16" (1.5mm) cable mesh
	Multiline	#6 Satin	Ø1-1/2" or Ø2" for Hand Rail Ø1-1/2", Ø2" or 2"x1" Rectangular Tube for Top Rail Ø1-1/2" with LED LINEAR, Ø1-1/2" or Ø2" with LED POD Ø2" Ø2" with LED LINEAR
TOP RAIL/HAND RAIL	Stainless Steel Tube Stainless Steel Tube with LED ² Wood (Red Oak, Cherry or Maple) ³ Wood (Red Oak, Cherry or Maple) with LED	#6 Satin (Recommended) CeraShield Powder Coat PVDF Unstained	



1. IBC 2015 & newer requires railing glass to be laminated. VIVA recommends SGP for exterior applications.
2. All LED LINEAR products are ETL certified; ETL mark is proof of product compliance to North American safety standard.
3. Other species available upon request.



CIRCA RAILING SYSTEM PICKET PANEL INFILL



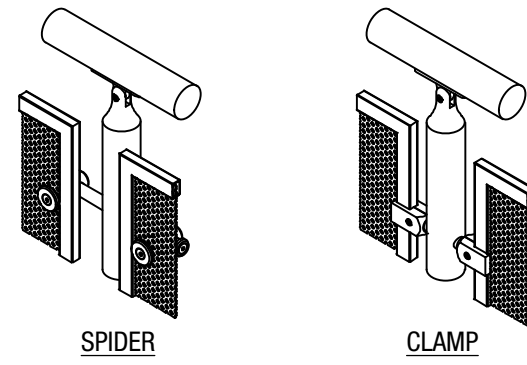
TOP RAIL OPTIONS

VIVA RAILINGS IS NOT RESPONSIBLE FOR THE STRUCTURAL INTEGRITY OF ANY BUILDING SYSTEMS OR OTHER MATERIALS NOT FURNISHED BY VIVA RAILINGS. VIVA RAILINGS HAS NO WAY OF KNOWING AND SPECIFICALLY DISCLAIMS WHETHER OR NOT THE BUILDING SYSTEMS TO WHICH VIVA RAILINGS' PRODUCTS ARE TO BE ATTACHED ARE STRUCTURALLY SOUND OR DESIGNED TO PROPERLY SUPPORT VIVA RAILINGS'S MATERIALS. ANY SUCH DESIGN RESPONSIBILITY BELONGS TO OTHERS FOR WHOM VIVA RAILINGS IS NOT RESPONSIBLE. THESE DRAWINGS ARE INTENDED FOR THE SOLE USE OF VIVA RAILINGS' CUSTOMER AND THEIR AGENTS FOR THE INSTALLATION OF PRODUCTS FURNISHED BY VIVA RAILINGS. VIVA RAILINGS REMAINS THE SOLE OWNER OF ALL DESIGNS AND INTELLECTUAL PROPERTY CONTAINED WITHIN. REPRODUCTION AND USE OF THESE DESIGNS FOR ANY OTHER PURPOSE IS FORBIDDEN. SCALES ARE PROVIDED FOR REFERENCE ONLY. FOR PRODUCT INFORMATION AND TECHNICAL SUPPORT, PLEASE CONTACT VIVA RAILINGS.

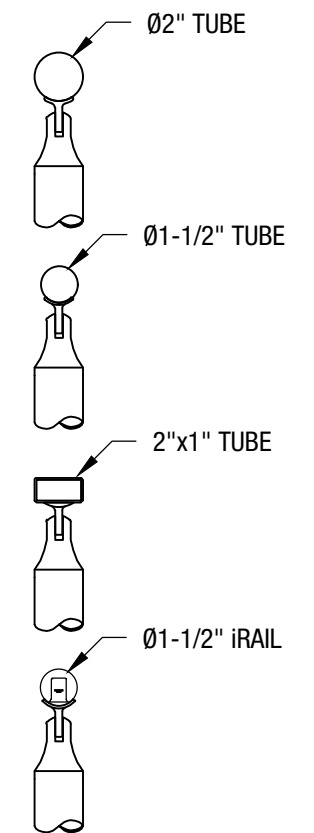
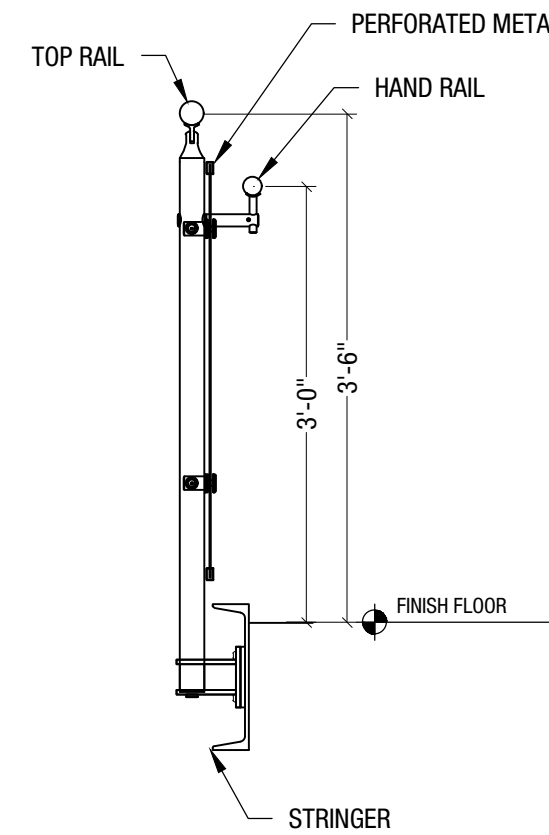
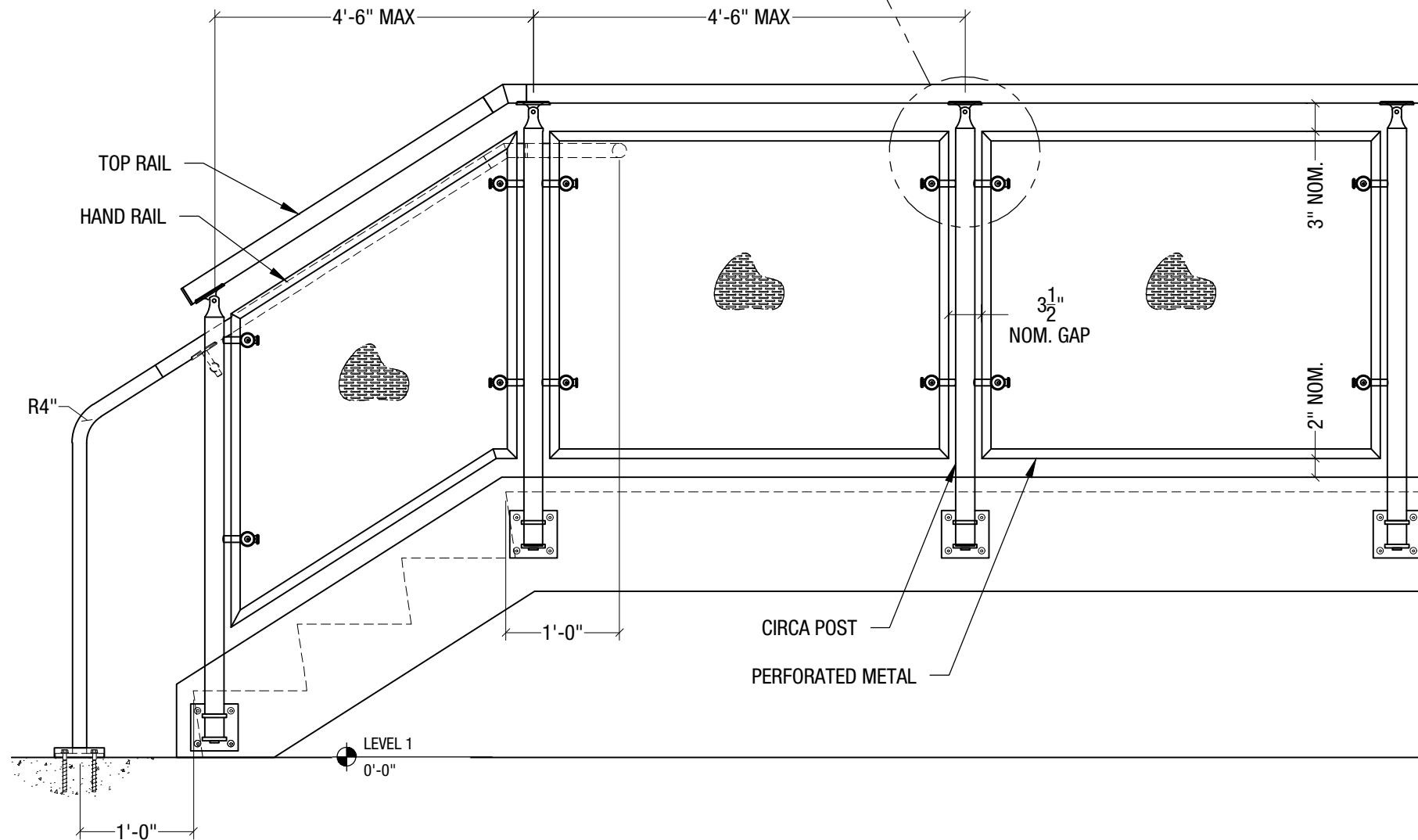
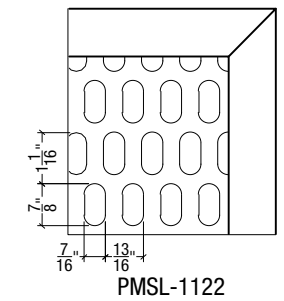
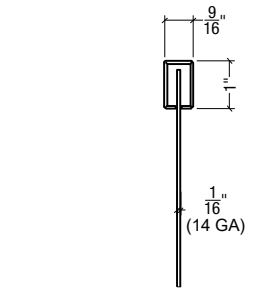
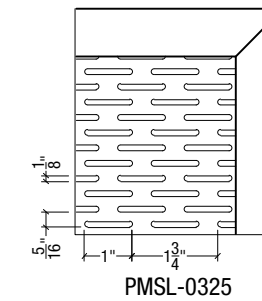
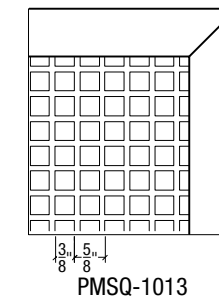
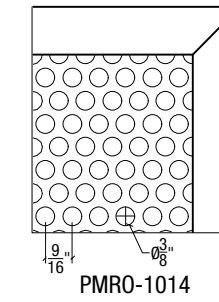
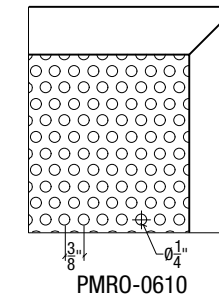
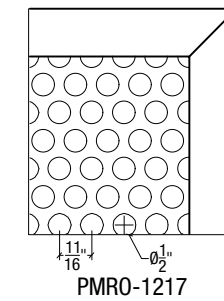


CIRCA RAILING SYSTEM

PERFORATED METAL INFILL



AVAILABLE PERFORATED TYPES

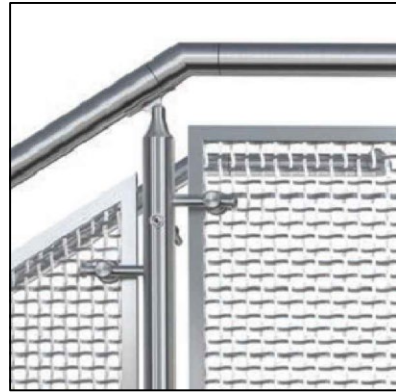


TOP RAIL OPTIONS

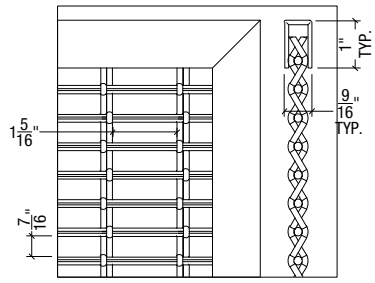
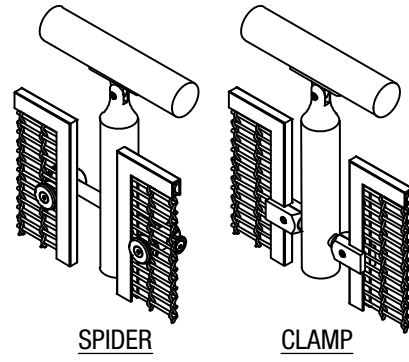
VIVA RAILINGS IS NOT RESPONSIBLE FOR THE STRUCTURAL INTEGRITY OF ANY BUILDING SYSTEMS OR OTHER MATERIALS NOT FURNISHED BY VIVA RAILINGS. VIVA RAILINGS HAS NO WAY OF KNOWING AND SPECIFICALLY DISCLAIMS WHETHER OR NOT THE BUILDING SYSTEMS TO WHICH VIVA RAILINGS' PRODUCTS ARE TO BE ATTACHED ARE STRUCTURALLY SOUND OR DESIGNED TO PROPERLY SUPPORT VIVA RAILINGS'S MATERIALS. ANY SUCH DESIGN RESPONSIBILITY BELONGS TO OTHERS FOR WHOM VIVA RAILINGS IS NOT RESPONSIBLE. THESE DRAWINGS ARE INTENDED FOR THE SOLE USE OF VIVA RAILINGS' CUSTOMER AND THEIR AGENTS FOR THE INSTALLATION OF PRODUCTS FURNISHED BY VIVA RAILINGS. VIVA RAILINGS REMAINS THE SOLE OWNER OF ALL DESIGNS AND INTELLECTUAL PROPERTY CONTAINED WITHIN. REPRODUCTION AND USE OF THESE DESIGNS FOR ANY OTHER PURPOSE IS FORBIDDEN. SCALES ARE PROVIDED FOR REFERENCE ONLY. FOR PRODUCT INFORMATION AND TECHNICAL SUPPORT, PLEASE CONTACT VIVA RAILINGS.



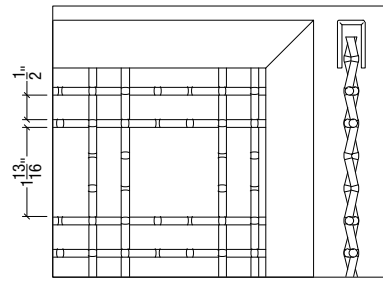
CIRCA RAILING SYSTEM WIRE MESH INFILL



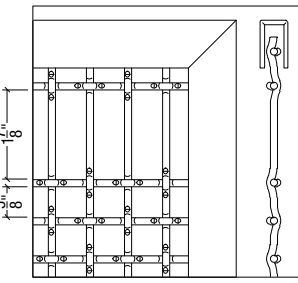
AVAILABLE WIRE MESH TYPES



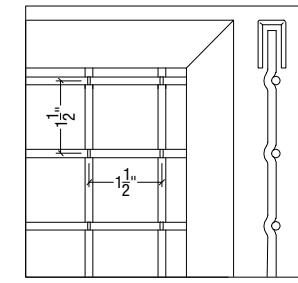
WM-10SS
(Woven SS)



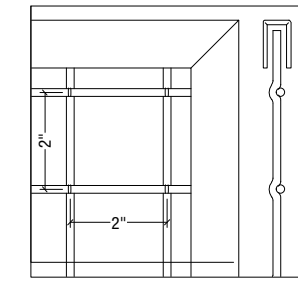
WM-13SS
(Woven SS)



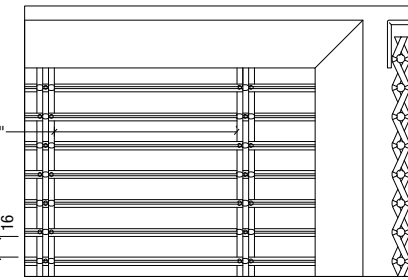
WM-17SS
(Woven SS)



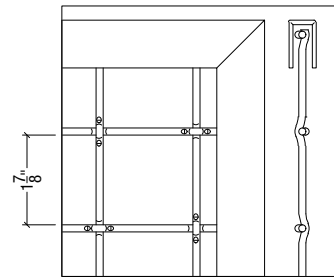
WM-38ST
(Welded Steel)



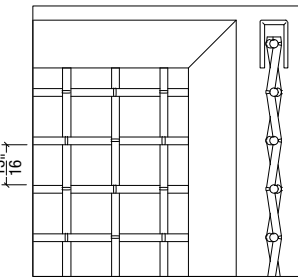
WM-50ST
(Welded Steel)



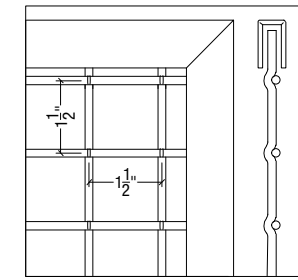
WM-11SS
(Woven SS)



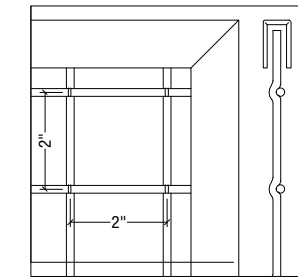
WM-14SS
(Woven SS)



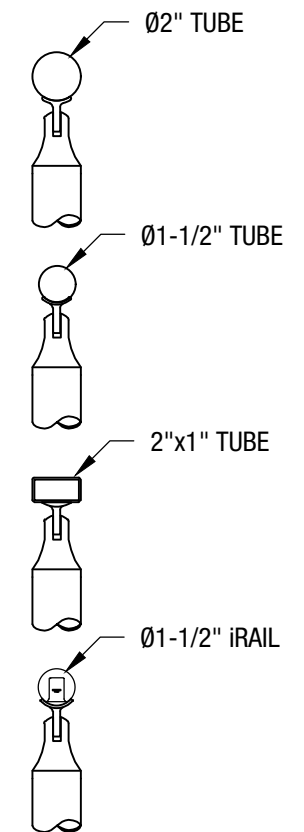
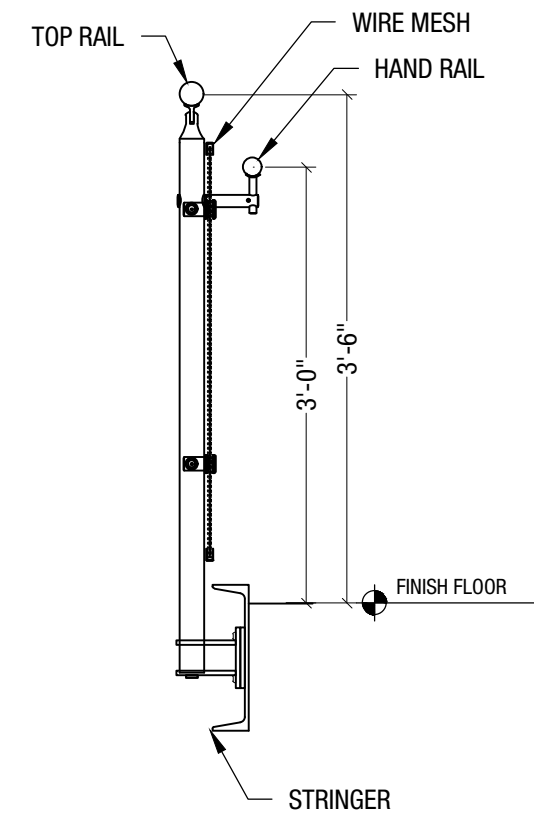
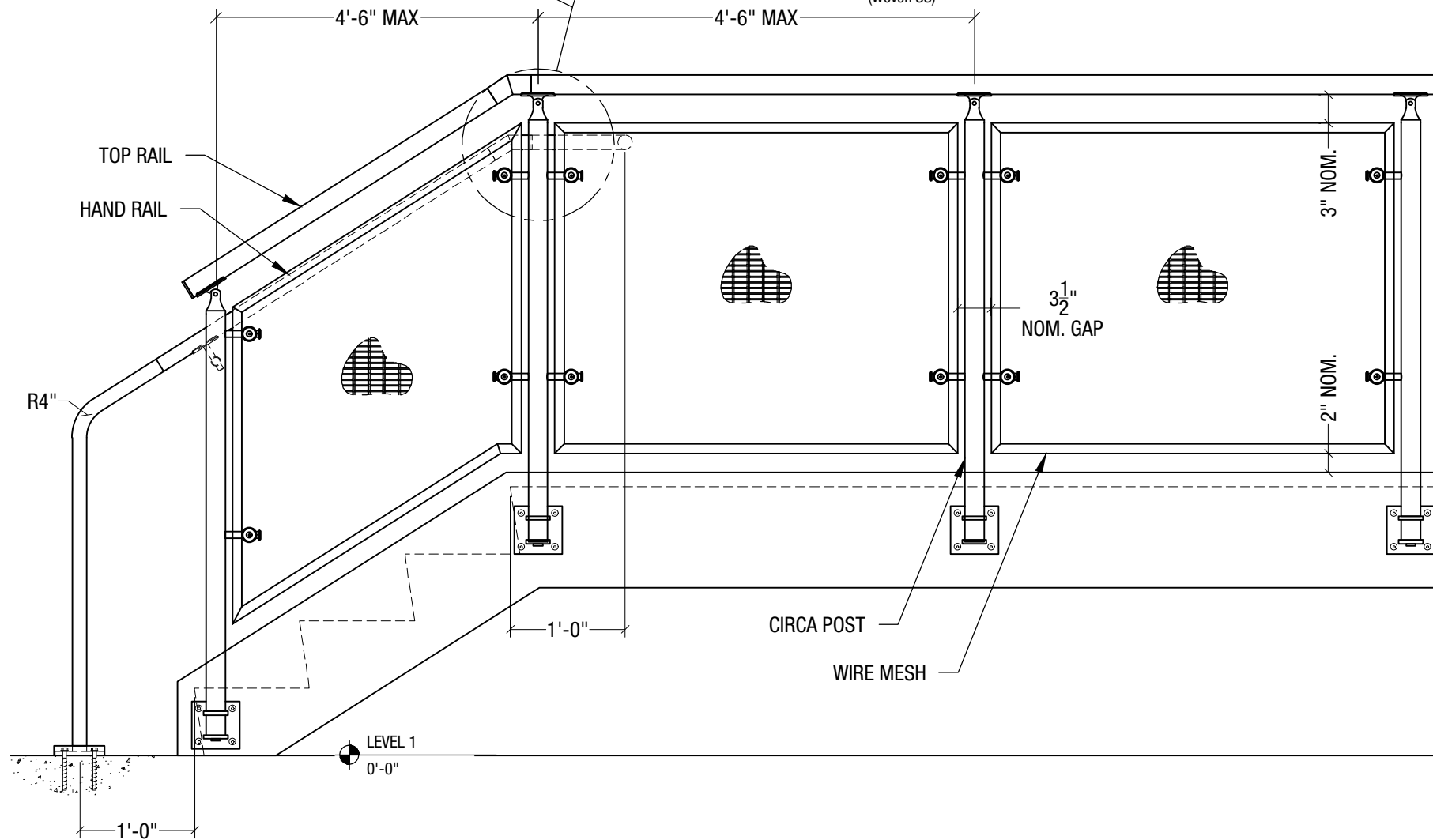
WM-20SS
(Woven SS)



WM-38SS
(Welded Stainless Steel)



WM-50SS
(Welded Stainless Steel)

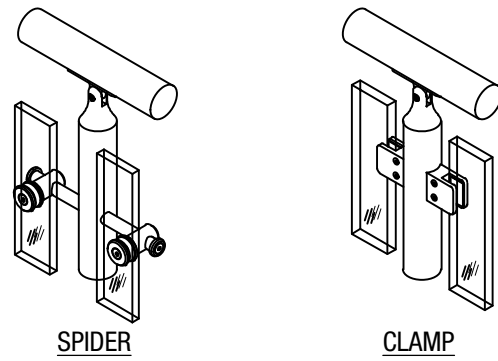


TOP RAIL OPTIONS

VIVA RAILINGS IS NOT RESPONSIBLE FOR THE STRUCTURAL INTEGRITY OF ANY BUILDING SYSTEMS OR OTHER MATERIALS NOT FURNISHED BY VIVA RAILINGS. VIVA RAILINGS HAS NO WAY OF KNOWING AND SPECIFICALLY DISCLAIMS WHETHER OR NOT THE BUILDING SYSTEMS TO WHICH VIVA RAILINGS' PRODUCTS ARE TO BE ATTACHED ARE STRUCTURALLY SOUND OR DESIGNED TO PROPERLY SUPPORT VIVA RAILINGS'S MATERIALS. ANY SUCH DESIGN RESPONSIBILITY BELONGS TO OTHERS FOR WHOM VIVA RAILINGS IS NOT RESPONSIBLE. THESE DRAWINGS ARE INTENDED FOR THE SOLE USE OF VIVA RAILINGS' CUSTOMER AND THEIR AGENTS FOR THE INSTALLATION OF PRODUCTS FURNISHED BY VIVA RAILINGS. VIVA RAILINGS REMAINS THE SOLE OWNER OF ALL DESIGNS AND INTELLECTUAL PROPERTY CONTAINED WITHIN. REPRODUCTION AND USE OF THESE DESIGNS FOR ANY OTHER PURPOSE IS FORBIDDEN. SCALES ARE PROVIDED FOR REFERENCE ONLY. FOR PRODUCT INFORMATION AND TECHNICAL SUPPORT, PLEASE CONTACT VIVA RAILINGS.



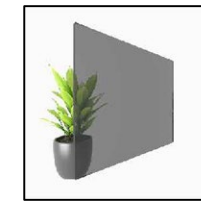
CIRCA RAILING SYSTEM GLASS INFILL



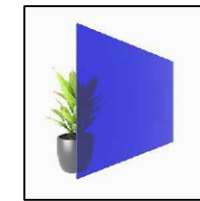
AVAILABLE GLASS TYPES



Clear Laminated
(PVB or SGP)



Tinted



Colored Interlayer



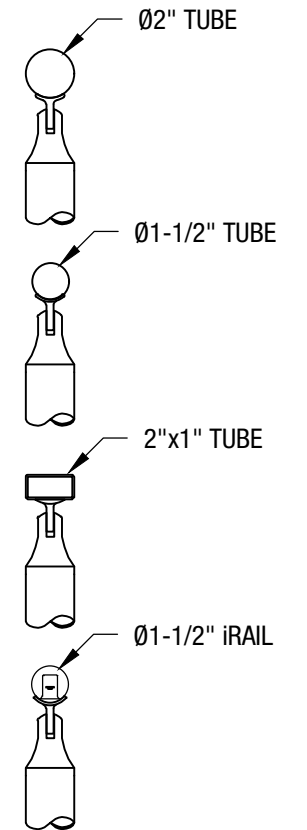
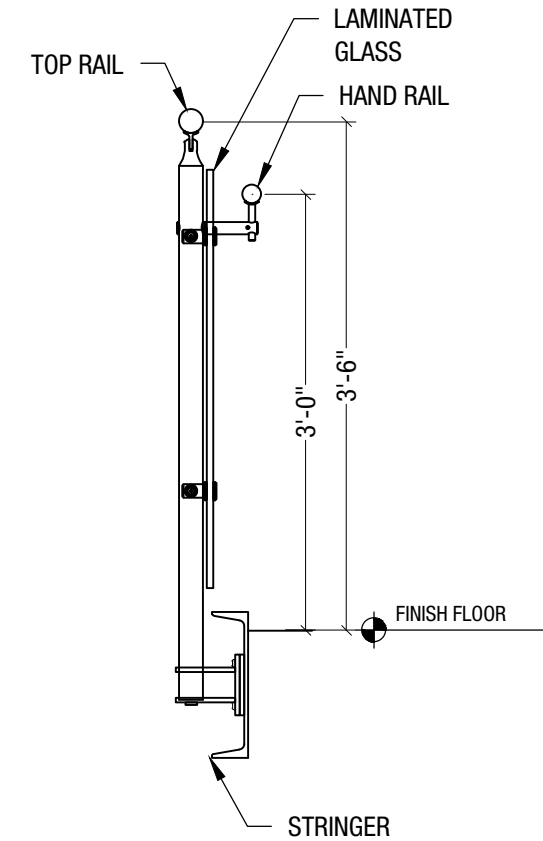
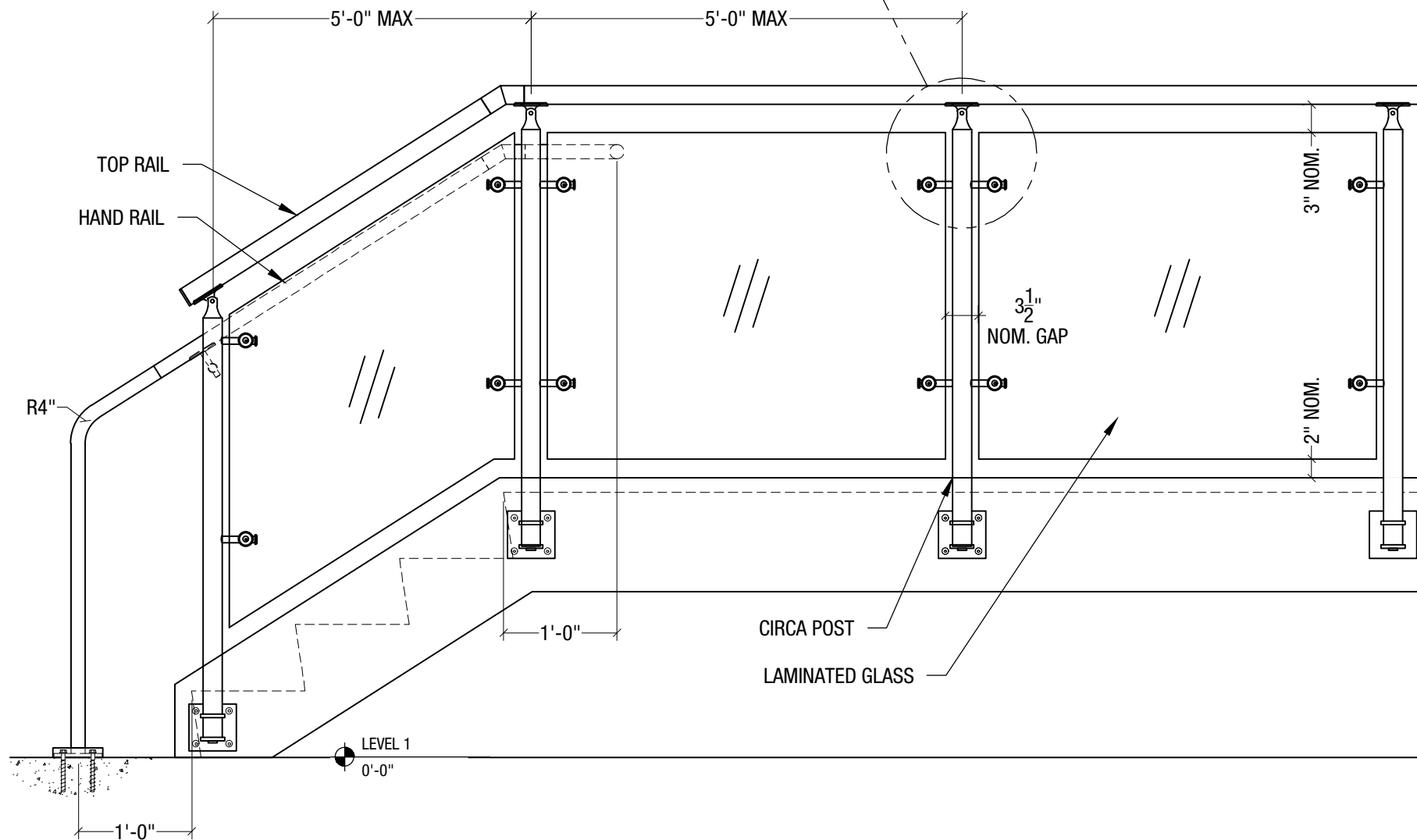
Frosted



Ceramic Frit



Casted

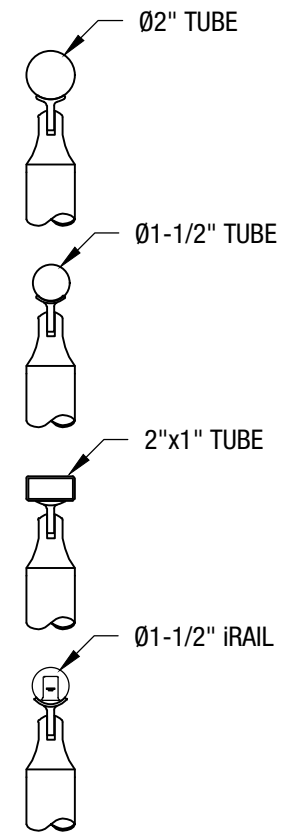
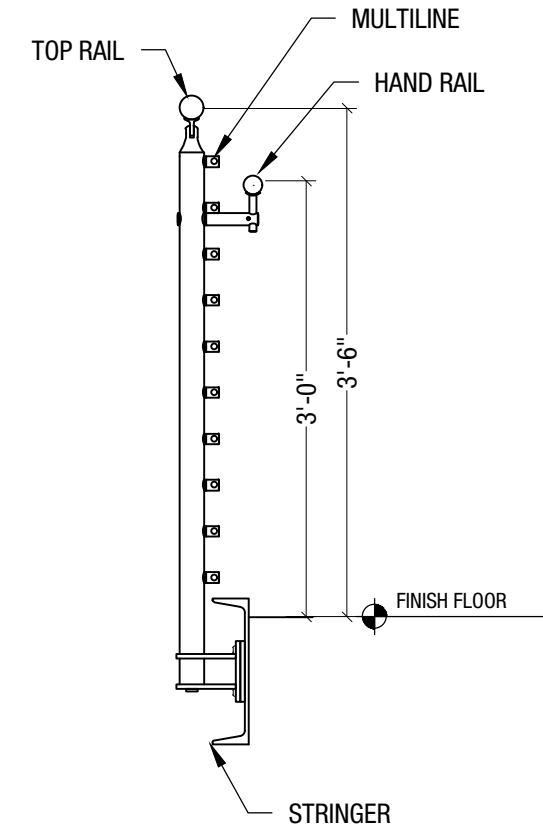
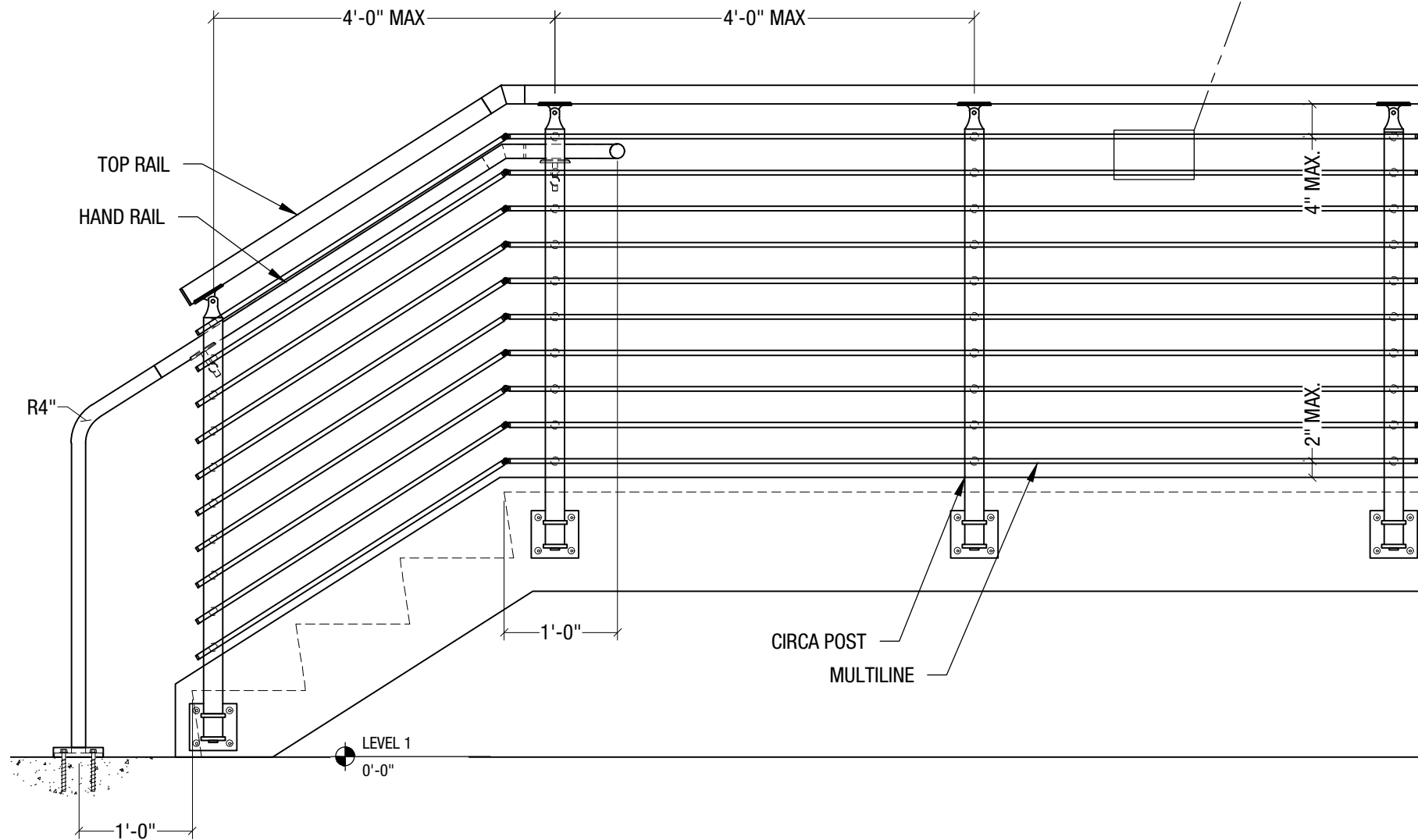
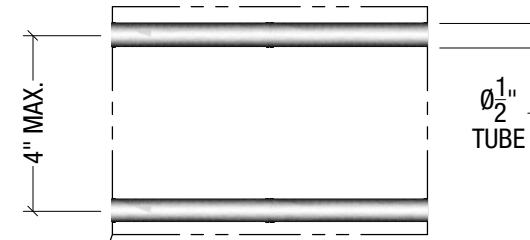


TOP RAIL OPTIONS

VIVA RAILINGS IS NOT RESPONSIBLE FOR THE STRUCTURAL INTEGRITY OF ANY BUILDING SYSTEMS OR OTHER MATERIALS NOT FURNISHED BY VIVA RAILINGS. VIVA RAILINGS HAS NO WAY OF KNOWING AND SPECIFICALLY DISCLAIMS WHETHER OR NOT THE BUILDING SYSTEMS TO WHICH VIVA RAILINGS' PRODUCTS ARE TO BE ATTACHED ARE STRUCTURALLY SOUND OR DESIGNED TO PROPERLY SUPPORT VIVA RAILINGS'S MATERIALS. ANY SUCH DESIGN RESPONSIBILITY BELONGS TO OTHERS FOR WHOM VIVA RAILINGS IS NOT RESPONSIBLE. THESE DRAWINGS ARE INTENDED FOR THE SOLE USE OF VIVA RAILINGS' CUSTOMER AND THEIR AGENTS FOR THE INSTALLATION OF PRODUCTS FURNISHED BY VIVA RAILINGS. VIVA RAILINGS REMAINS THE SOLE OWNER OF ALL DESIGNS AND INTELLECTUAL PROPERTY CONTAINED WITHIN. REPRODUCTION AND USE OF THESE DESIGNS FOR ANY OTHER PURPOSE IS FORBIDDEN. SCALES ARE PROVIDED FOR REFERENCE ONLY. FOR PRODUCT INFORMATION AND TECHNICAL SUPPORT, PLEASE CONTACT VIVA RAILINGS.



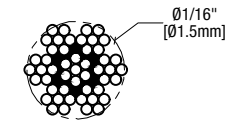
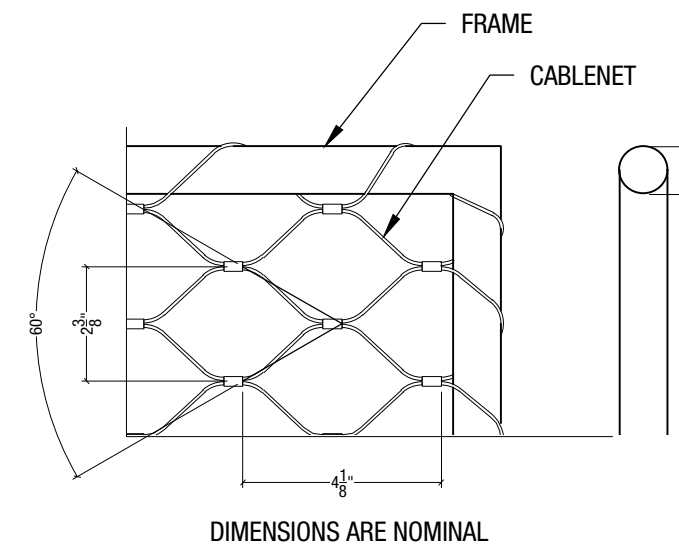
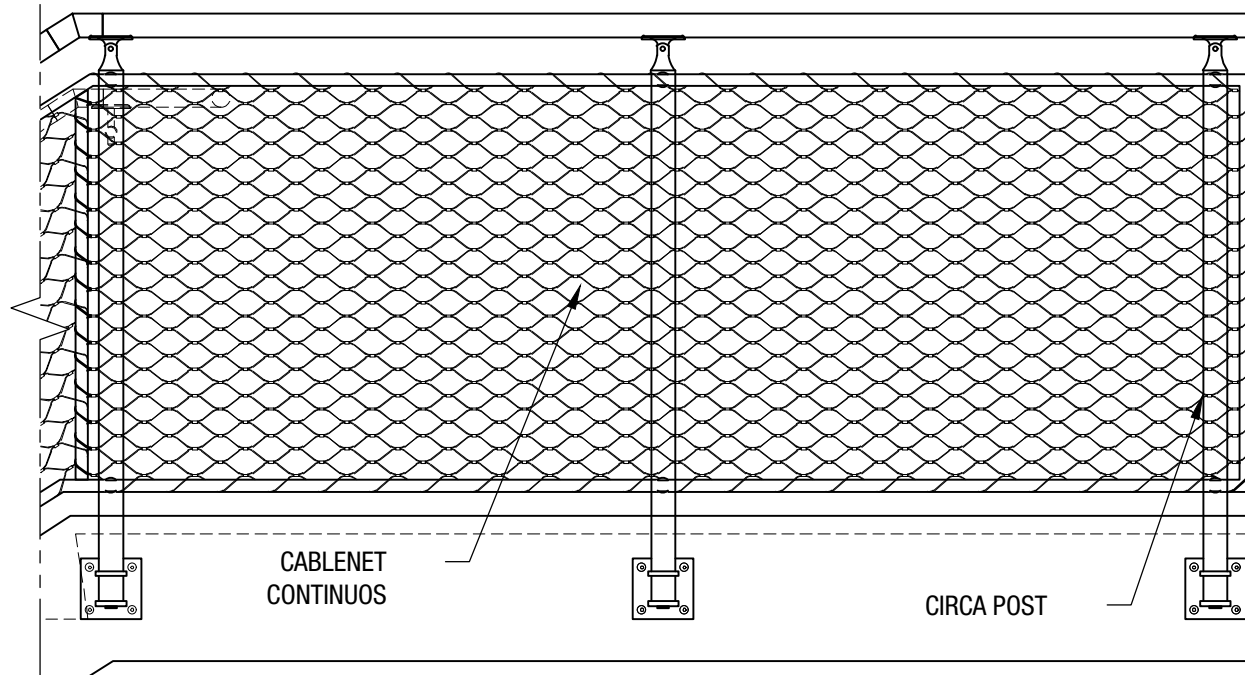
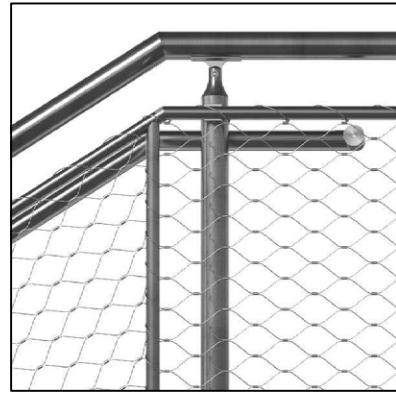
CIRCA RAILING SYSTEM MULTILINE INFILL



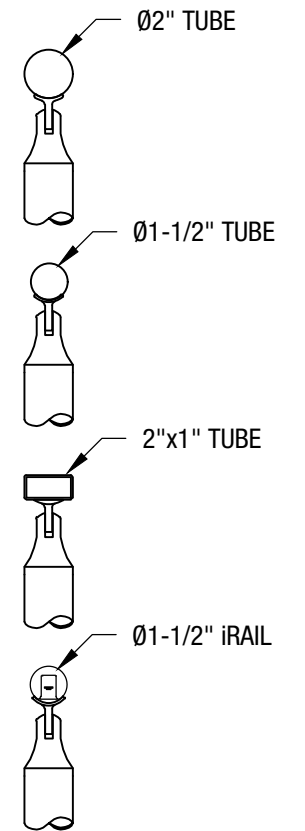
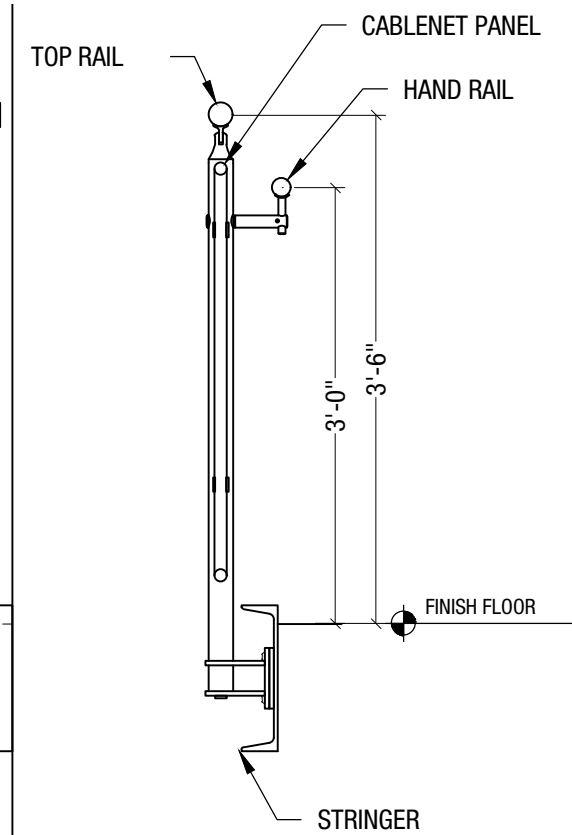
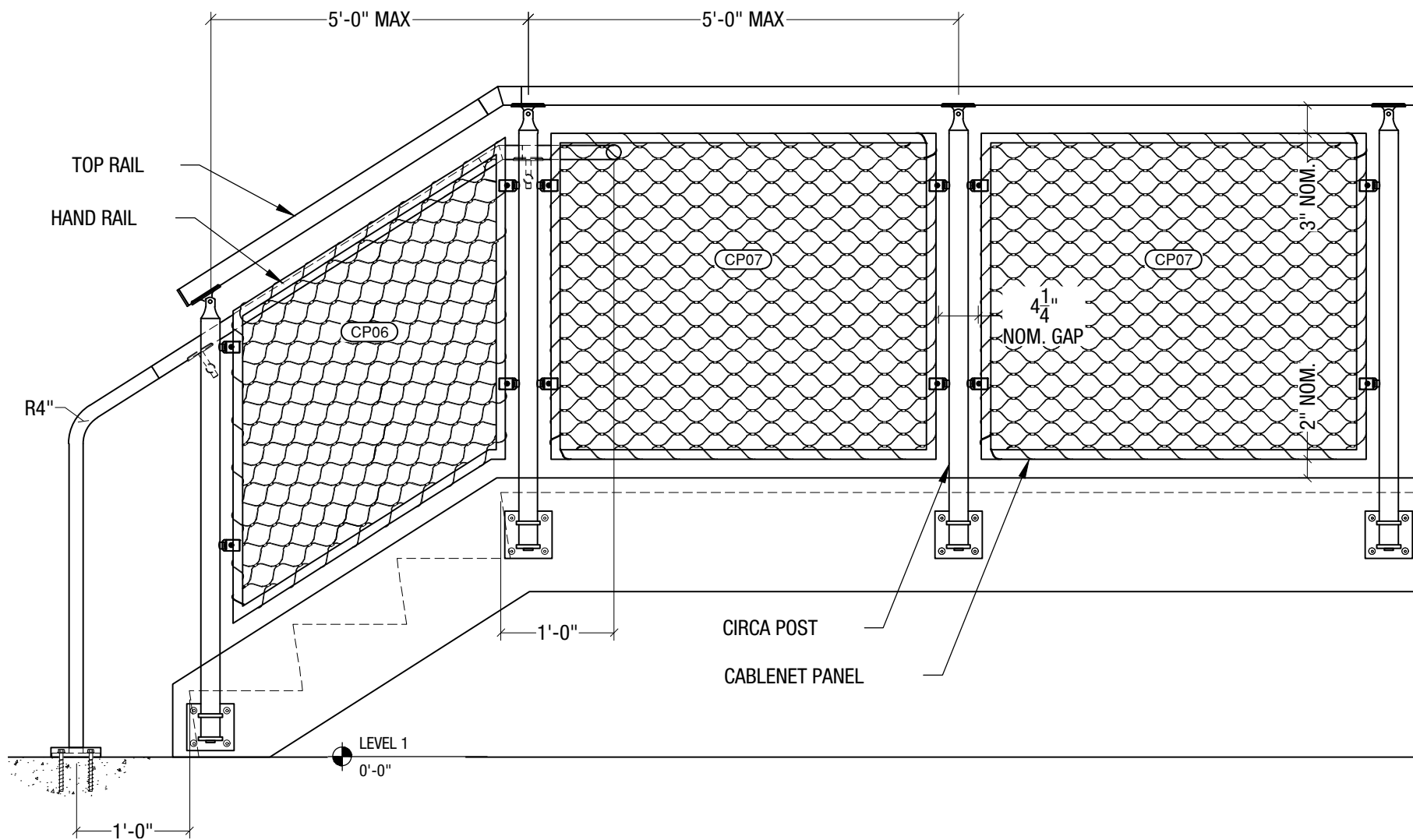
VIVA RAILINGS IS NOT RESPONSIBLE FOR THE STRUCTURAL INTEGRITY OF ANY BUILDING SYSTEMS OR OTHER MATERIALS NOT FURNISHED BY VIVA RAILINGS. VIVA RAILINGS HAS NO WAY OF KNOWING AND SPECIFICALLY DISCLAIMS WHETHER OR NOT THE BUILDING SYSTEMS TO WHICH VIVA RAILINGS' PRODUCTS ARE TO BE ATTACHED ARE STRUCTURALLY SOUND OR DESIGNED TO PROPERLY SUPPORT VIVA RAILINGS'S MATERIALS. ANY SUCH DESIGN RESPONSIBILITY BELONGS TO OTHERS FOR WHOM VIVA RAILINGS IS NOT RESPONSIBLE. THESE DRAWINGS ARE INTENDED FOR THE SOLE USE OF VIVA RAILINGS' CUSTOMER AND THEIR AGENTS FOR THE INSTALLATION OF PRODUCTS FURNISHED BY VIVA RAILINGS. VIVA RAILINGS REMAINS THE SOLE OWNER OF ALL DESIGNS AND INTELLECTUAL PROPERTY CONTAINED WITHIN. REPRODUCTION AND USE OF THESE DESIGNS FOR ANY OTHER PURPOSE IS FORBIDDEN. SCALES ARE PROVIDED FOR REFERENCE ONLY. FOR PRODUCT INFORMATION AND TECHNICAL SUPPORT, PLEASE CONTACT VIVA RAILINGS.



CIRCA RAILING SYSTEM CABLENET INFILL



7x7 CONSTRUCTION
CABLE

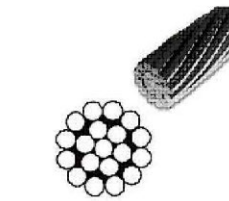
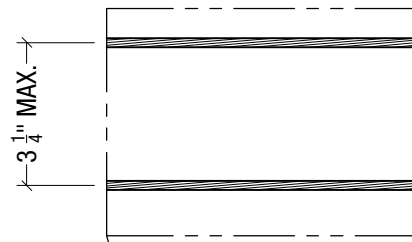
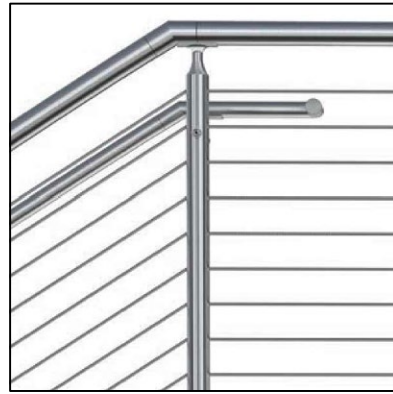


TOP RAIL OPTIONS

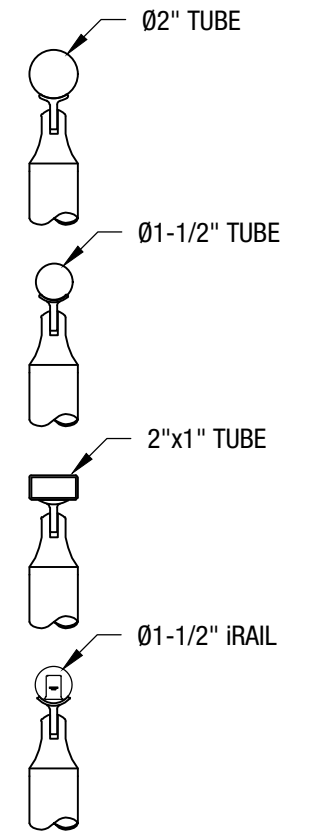
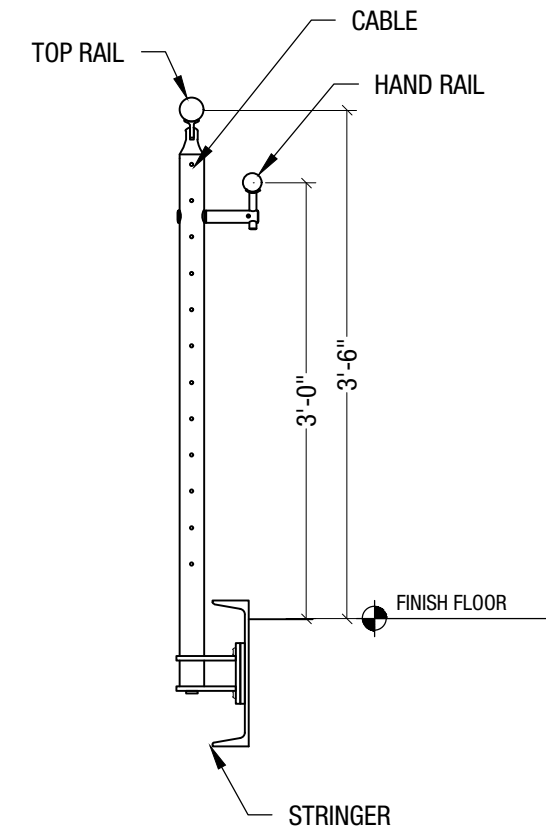
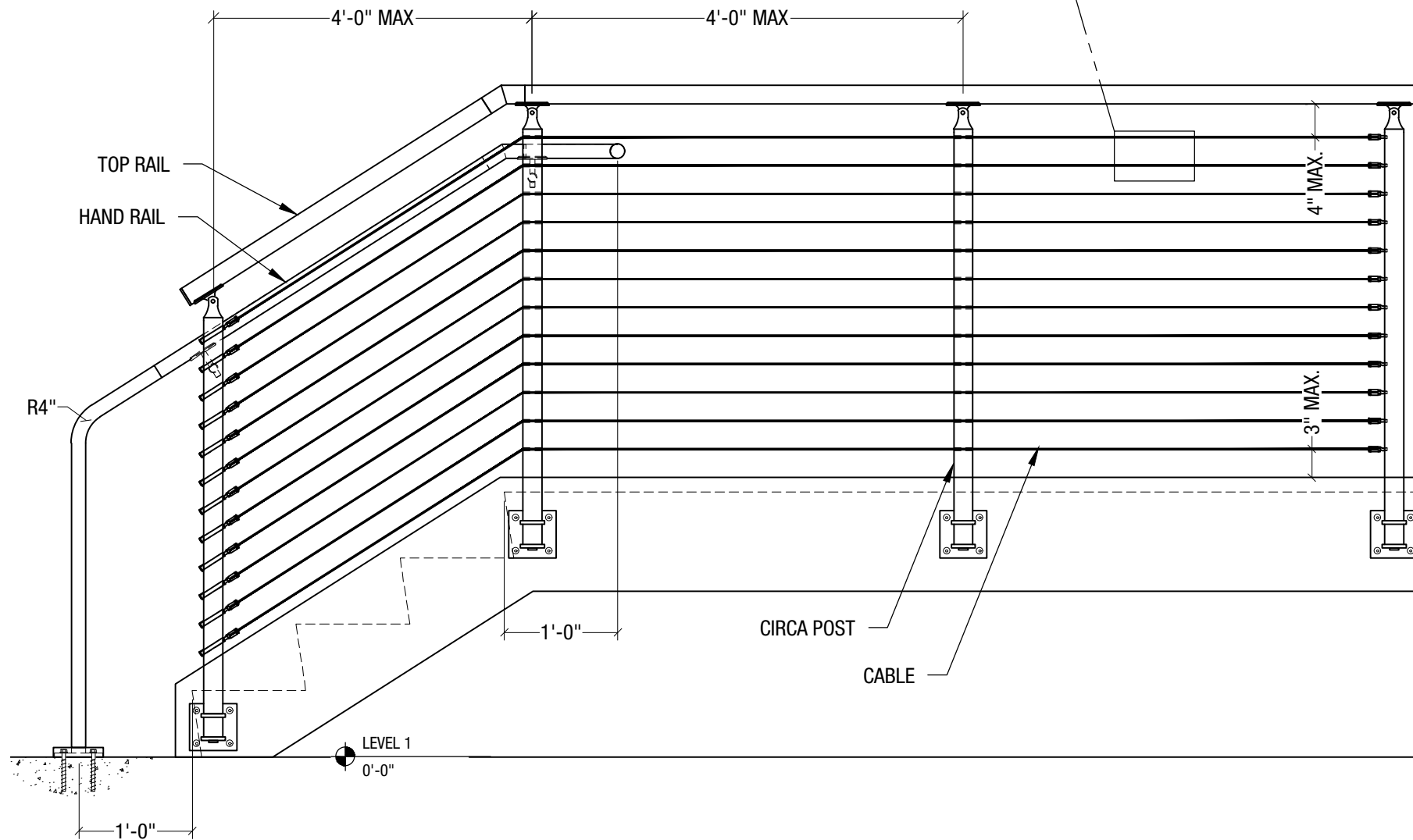
VIVA RAILINGS IS NOT RESPONSIBLE FOR THE STRUCTURAL INTEGRITY OF ANY BUILDING SYSTEMS OR OTHER MATERIALS NOT FURNISHED BY VIVA RAILINGS. VIVA RAILINGS HAS NO WAY OF KNOWING AND SPECIFICALLY DISCLAIMS WHETHER OR NOT THE BUILDING SYSTEMS TO WHICH VIVA RAILINGS' PRODUCTS ARE TO BE ATTACHED ARE STRUCTURALLY SOUND OR DESIGNED TO PROPERLY SUPPORT VIVA RAILINGS'S MATERIALS. ANY SUCH DESIGN RESPONSIBILITY BELONGS TO OTHERS FOR WHOM VIVA RAILINGS IS NOT RESPONSIBLE. THESE DRAWINGS ARE INTENDED FOR THE SOLE USE OF VIVA RAILINGS' CUSTOMER AND THEIR AGENTS FOR THE INSTALLATION OF PRODUCTS FURNISHED BY VIVA RAILINGS. VIVA RAILINGS REMAINS THE SOLE OWNER OF ALL DESIGNS AND INTELLECTUAL PROPERTY CONTAINED WITHIN. REPRODUCTION AND USE OF THESE DESIGNS FOR ANY OTHER PURPOSE IS FORBIDDEN. SCALES ARE PROVIDED FOR REFERENCE ONLY. FOR PRODUCT INFORMATION AND TECHNICAL SUPPORT, PLEASE CONTACT VIVA RAILINGS.



CIRCA RAILING SYSTEM CABLE INFILL



Stainless Steel 316 Cable
Ø3/16", 1X19 Construction

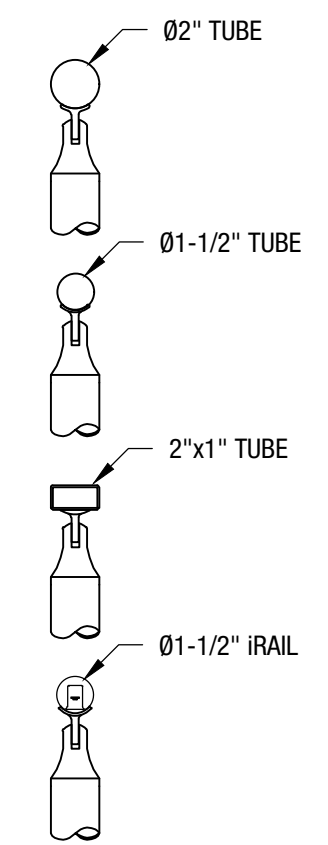
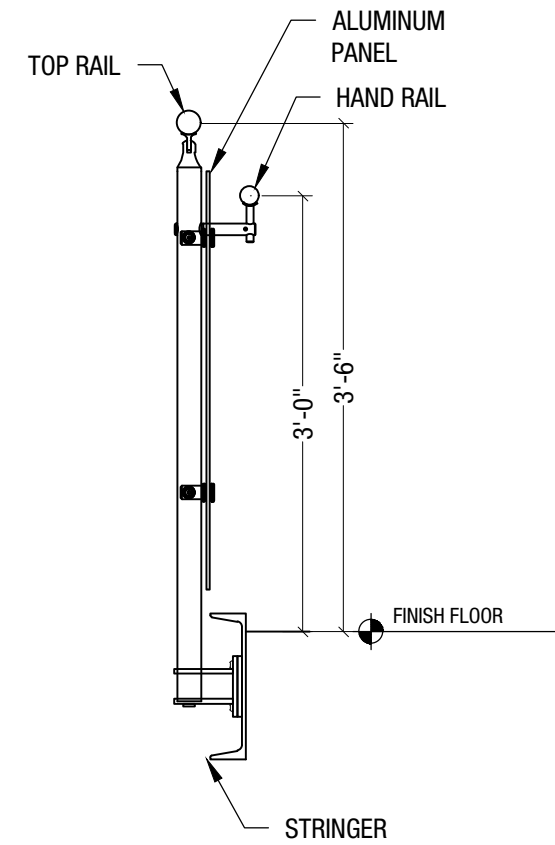
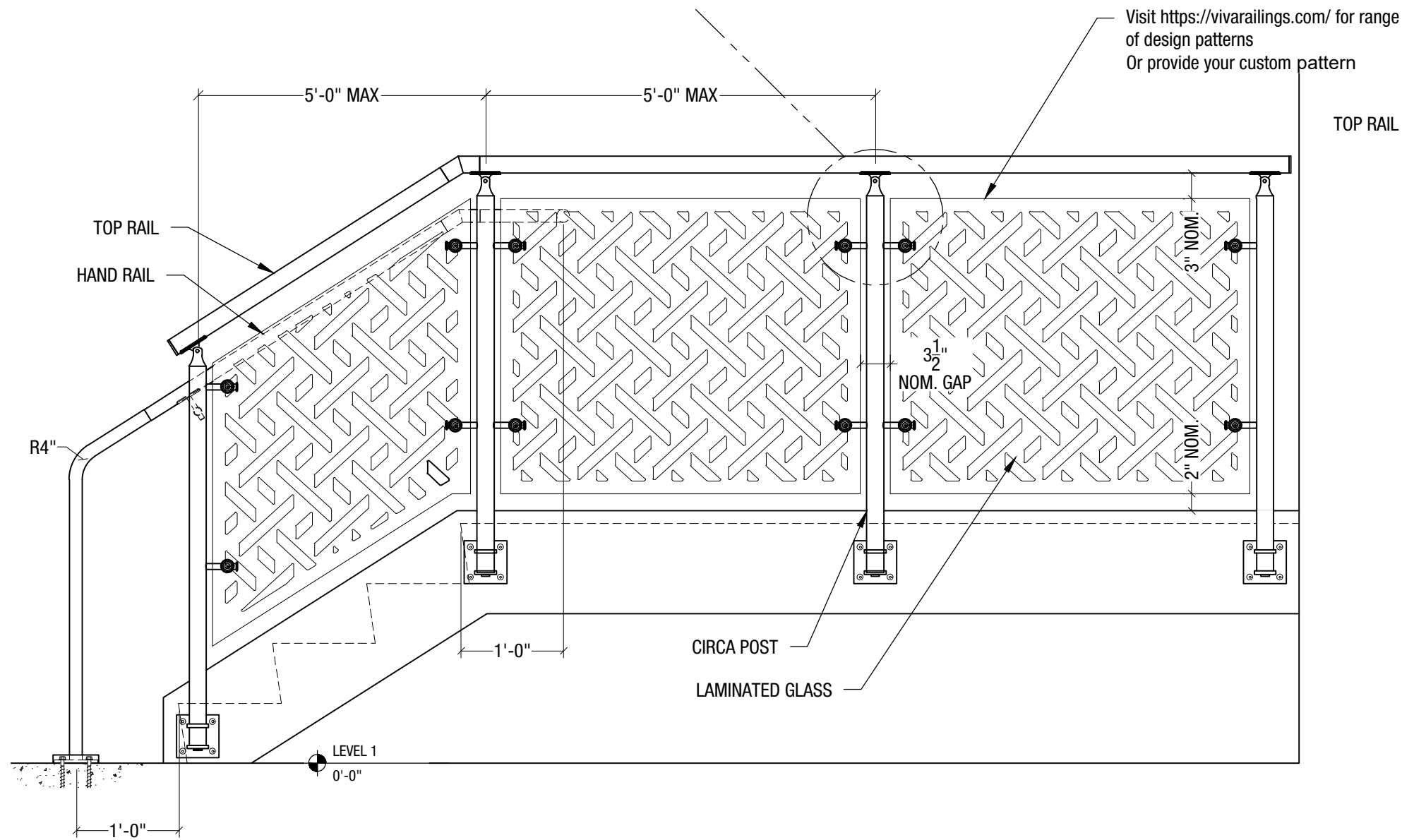
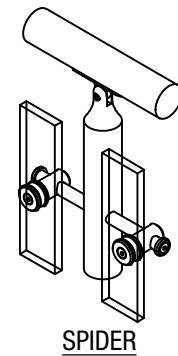
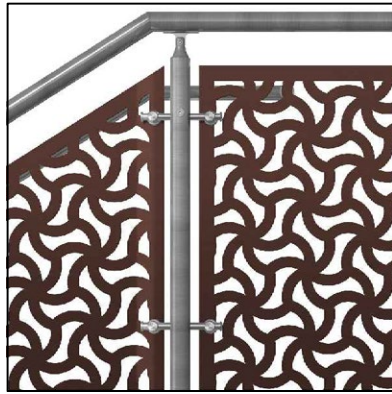


TOP RAIL OPTIONS

VIVA RAILINGS IS NOT RESPONSIBLE FOR THE STRUCTURAL INTEGRITY OF ANY BUILDING SYSTEMS OR OTHER MATERIALS NOT FURNISHED BY VIVA RAILINGS. VIVA RAILINGS HAS NO WAY OF KNOWING AND SPECIFICALLY DISCLAIMS WHETHER OR NOT THE BUILDING SYSTEMS TO WHICH VIVA RAILINGS' PRODUCTS ARE TO BE ATTACHED ARE STRUCTURALLY SOUND OR DESIGNED TO PROPERLY SUPPORT VIVA RAILINGS'S MATERIALS. ANY SUCH DESIGN RESPONSIBILITY BELONGS TO OTHERS FOR WHOM VIVA RAILINGS IS NOT RESPONSIBLE. THESE DRAWINGS ARE INTENDED FOR THE SOLE USE OF VIVA RAILINGS' CUSTOMER AND THEIR AGENTS FOR THE INSTALLATION OF PRODUCTS FURNISHED BY VIVA RAILINGS. VIVA RAILINGS REMAINS THE SOLE OWNER OF ALL DESIGNS AND INTELLECTUAL PROPERTY CONTAINED WITHIN. REPRODUCTION AND USE OF THESE DESIGNS FOR ANY OTHER PURPOSE IS FORBIDDEN. SCALES ARE PROVIDED FOR REFERENCE ONLY. FOR PRODUCT INFORMATION AND TECHNICAL SUPPORT, PLEASE CONTACT VIVA RAILINGS.



CIRCA RAILING SYSTEM LASER CUT INFILL

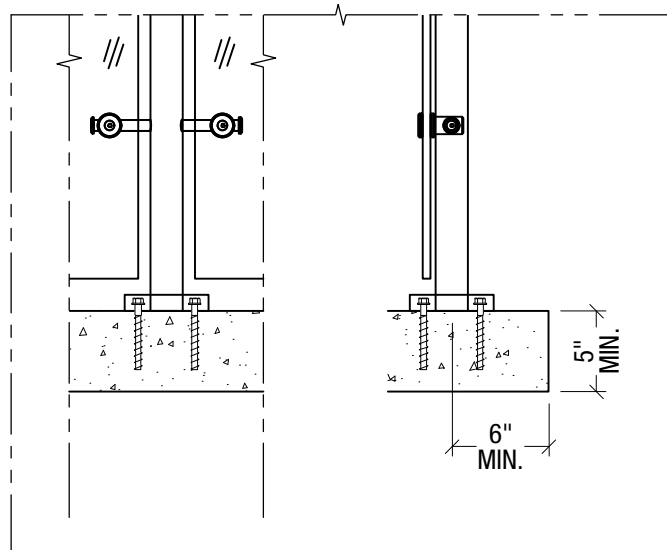


VIVA RAILINGS IS NOT RESPONSIBLE FOR THE STRUCTURAL INTEGRITY OF ANY BUILDING SYSTEMS OR OTHER MATERIALS NOT FURNISHED BY VIVA RAILINGS. VIVA RAILINGS HAS NO WAY OF KNOWING AND SPECIFICALLY DISCLAIMS WHETHER OR NOT THE BUILDING SYSTEMS TO WHICH VIVA RAILINGS' PRODUCTS ARE TO BE ATTACHED ARE STRUCTURALLY SOUND OR DESIGNED TO PROPERLY SUPPORT VIVA RAILINGS'S MATERIALS. ANY SUCH DESIGN RESPONSIBILITY BELONGS TO OTHERS FOR WHOM VIVA RAILINGS IS NOT RESPONSIBLE. THESE DRAWINGS ARE INTENDED FOR THE SOLE USE OF VIVA RAILINGS' CUSTOMER AND THEIR AGENTS FOR THE INSTALLATION OF PRODUCTS FURNISHED BY VIVA RAILINGS. VIVA RAILINGS REMAINS THE SOLE OWNER OF ALL DESIGNS AND INTELLECTUAL PROPERTY CONTAINED WITHIN. REPRODUCTION AND USE OF THESE DESIGNS FOR ANY OTHER PURPOSE IS FORBIDDEN. SCALES ARE PROVIDED FOR REFERENCE ONLY. FOR PRODUCT INFORMATION AND TECHNICAL SUPPORT, PLEASE CONTACT VIVA RAILINGS.



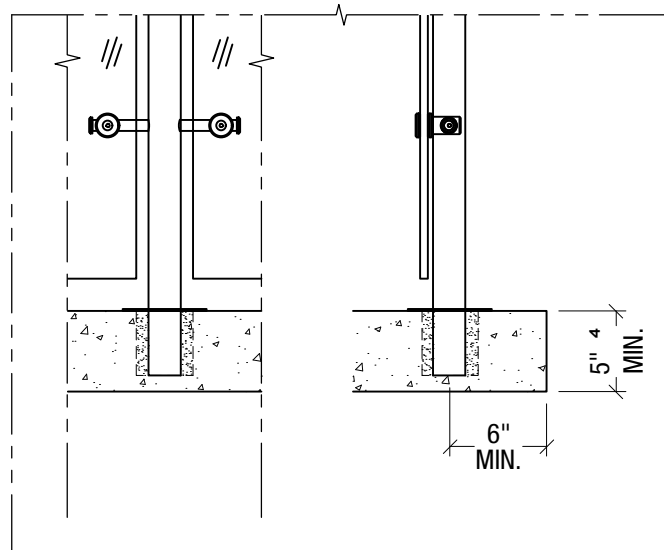
CIRCA RAILING SYSTEM

MOUNTING CONDITION, TOP MOUNTED POST



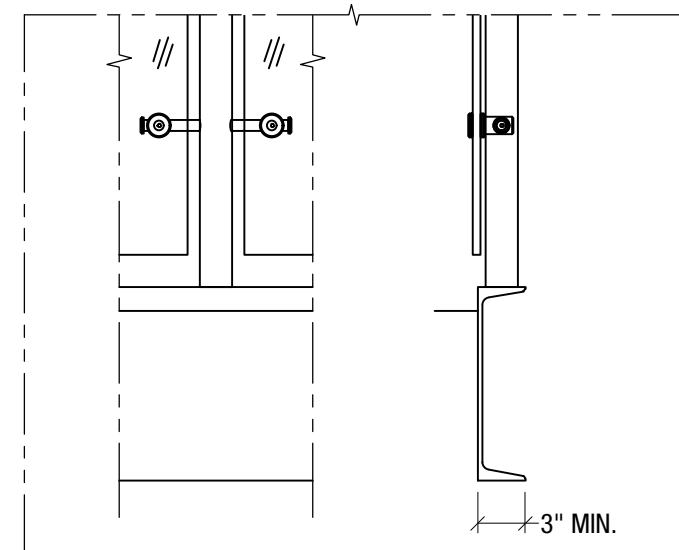
Anchored to Concrete ¹ - \$ ²

Detail# CA-T01 ³



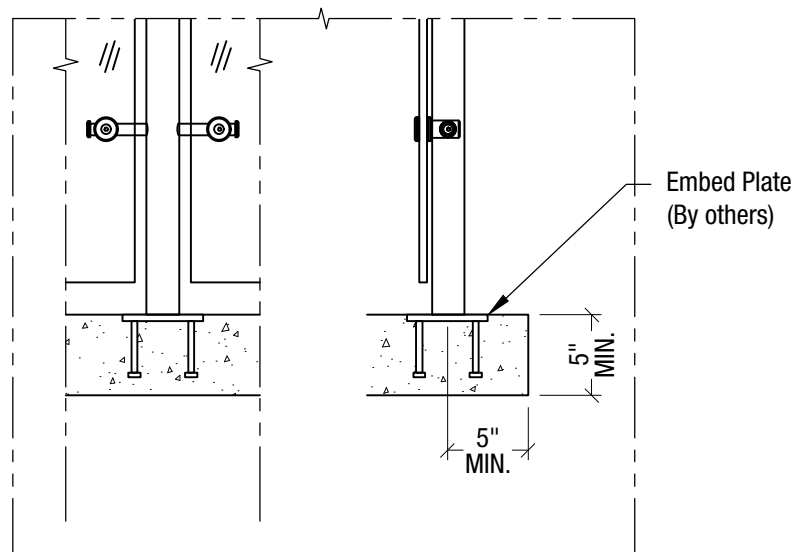
Cored into Concrete - \$\$\$

Detail# CA-T02



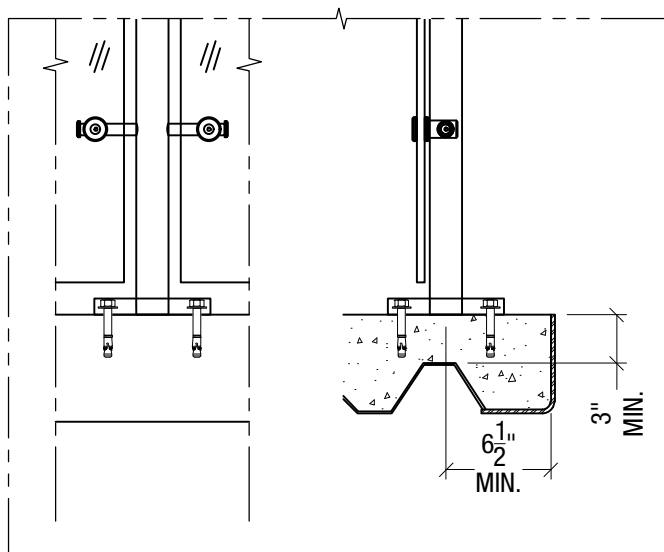
Welded @ Steel Channel - \$

Detail# CA-T03



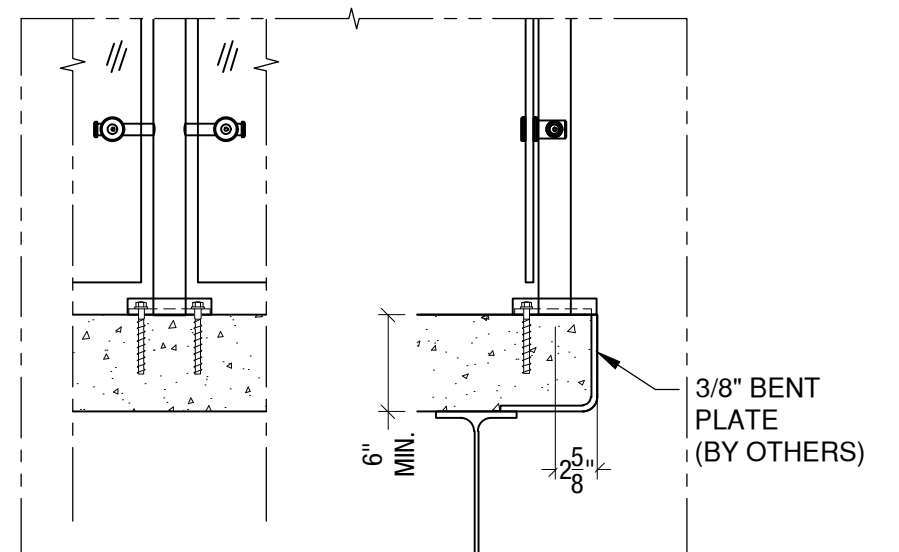
Welded @ Embed Plate - \$

Detail# CA-T04



Anchored to Concrete Slab on Deck - \$\$\$

Detail# CA-T05



Anchored to Concrete
Welded to Steel Plate - \$

Detail# CA-T06

(1) Min. 4000 PSI concrete, Typ.

(2) \$ to \$\$\$: Indicates mounting type comparative cost

(3) Anchoring is not an available option for top mount with cable infill

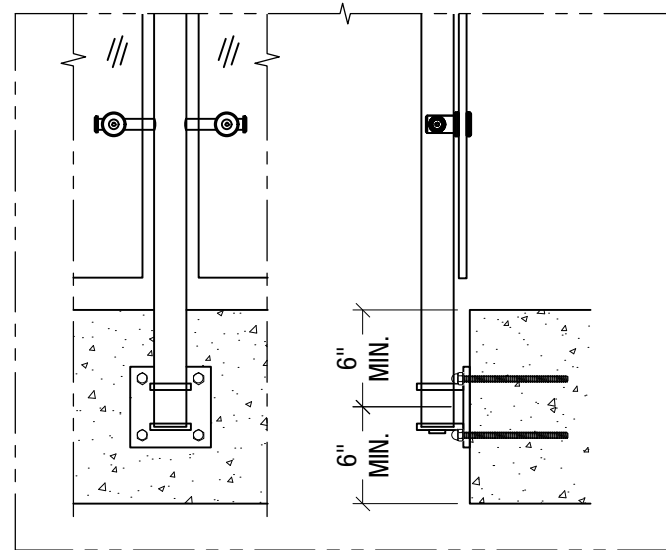
(4) 6 1/2" Min. for end post with cable infill

VIVA RAILINGS IS NOT RESPONSIBLE FOR THE STRUCTURAL INTEGRITY OF ANY BUILDING SYSTEMS OR OTHER MATERIALS NOT FURNISHED BY VIVA RAILINGS. VIVA RAILINGS HAS NO WAY OF KNOWING AND SPECIFICALLY DISCLAIMS WHETHER OR NOT THE BUILDING SYSTEMS TO WHICH VIVA RAILINGS' PRODUCTS ARE TO BE ATTACHED ARE STRUCTURALLY SOUND OR DESIGNED TO PROPERLY SUPPORT VIVA RAILINGS'S MATERIALS. ANY SUCH DESIGN RESPONSIBILITY BELONGS TO OTHERS FOR WHOM VIVA RAILINGS IS NOT RESPONSIBLE. THESE DRAWINGS ARE INTENDED FOR THE SOLE USE OF VIVA RAILINGS' CUSTOMER AND THEIR AGENTS FOR THE INSTALLATION OF PRODUCTS FURNISHED BY VIVA RAILINGS. VIVA RAILINGS REMAINS THE SOLE OWNER OF ALL DESIGNS AND INTELLECTUAL PROPERTY CONTAINED WITHIN. REPRODUCTION AND USE OF THESE DESIGNS FOR ANY OTHER PURPOSE IS FORBIDDEN. SCALES ARE PROVIDED FOR REFERENCE ONLY. FOR PRODUCT INFORMATION AND TECHNICAL SUPPORT, PLEASE CONTACT VIVA RAILINGS.



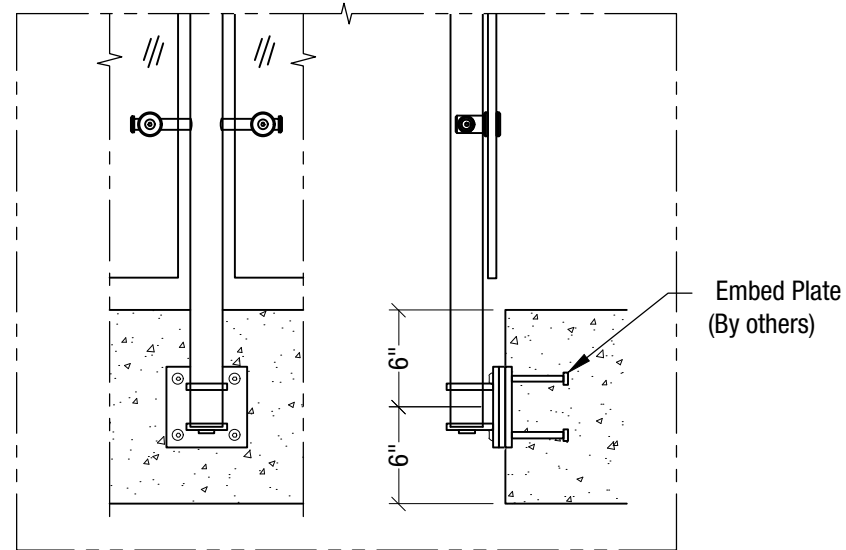
CIRCA RAILING SYSTEM

MOUNTING CONDITION, FASCIA MOUNTED POST



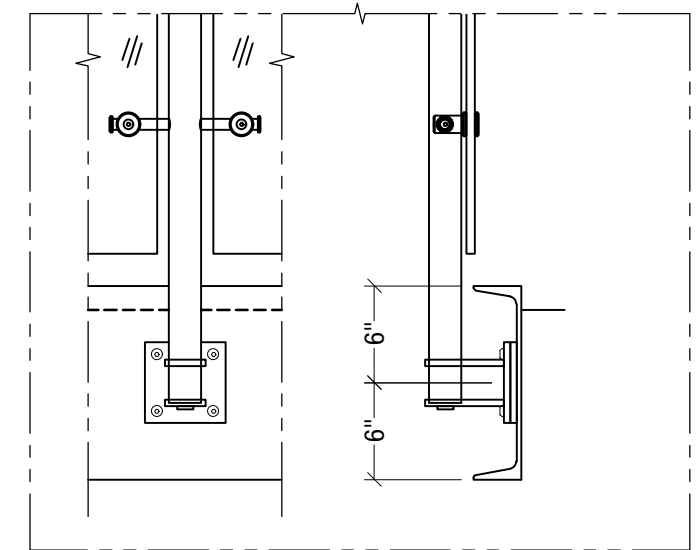
Anchored to Concrete ¹ - \$\$\$

Detail# CA-F01 ²



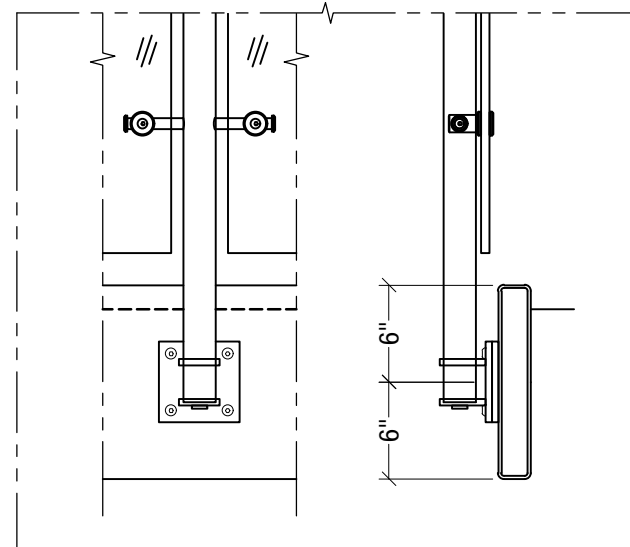
Welded @ Embed Plate - \$\$

Detail# CA-F02



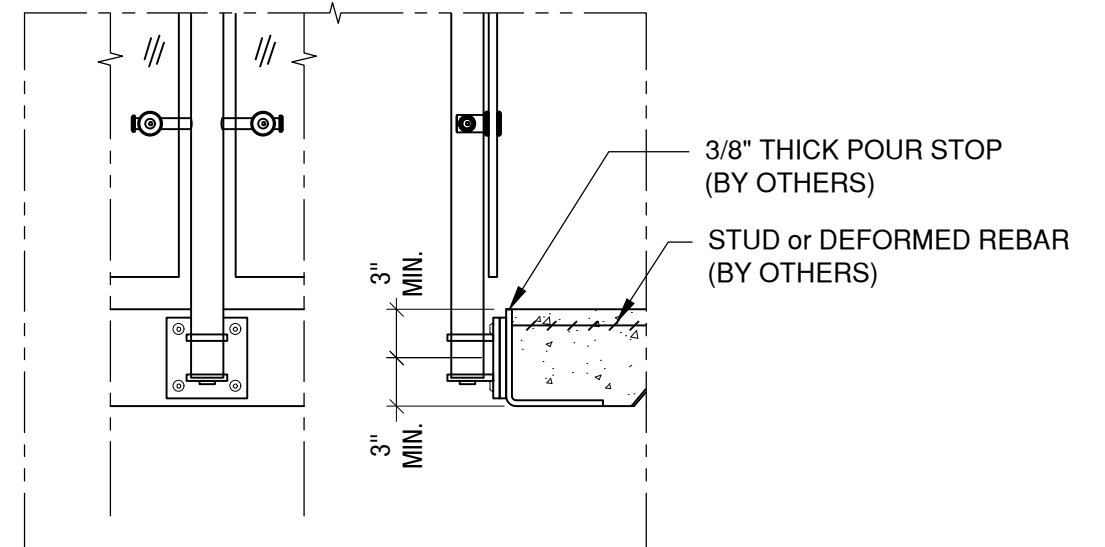
Welded @ Steel Channel - \$\$

Detail# CA-F03



Welded @ Steel Tube - \$\$

Detail# CA-F04



Welded @ Pour Stop - \$\$

Detail# CA-F05

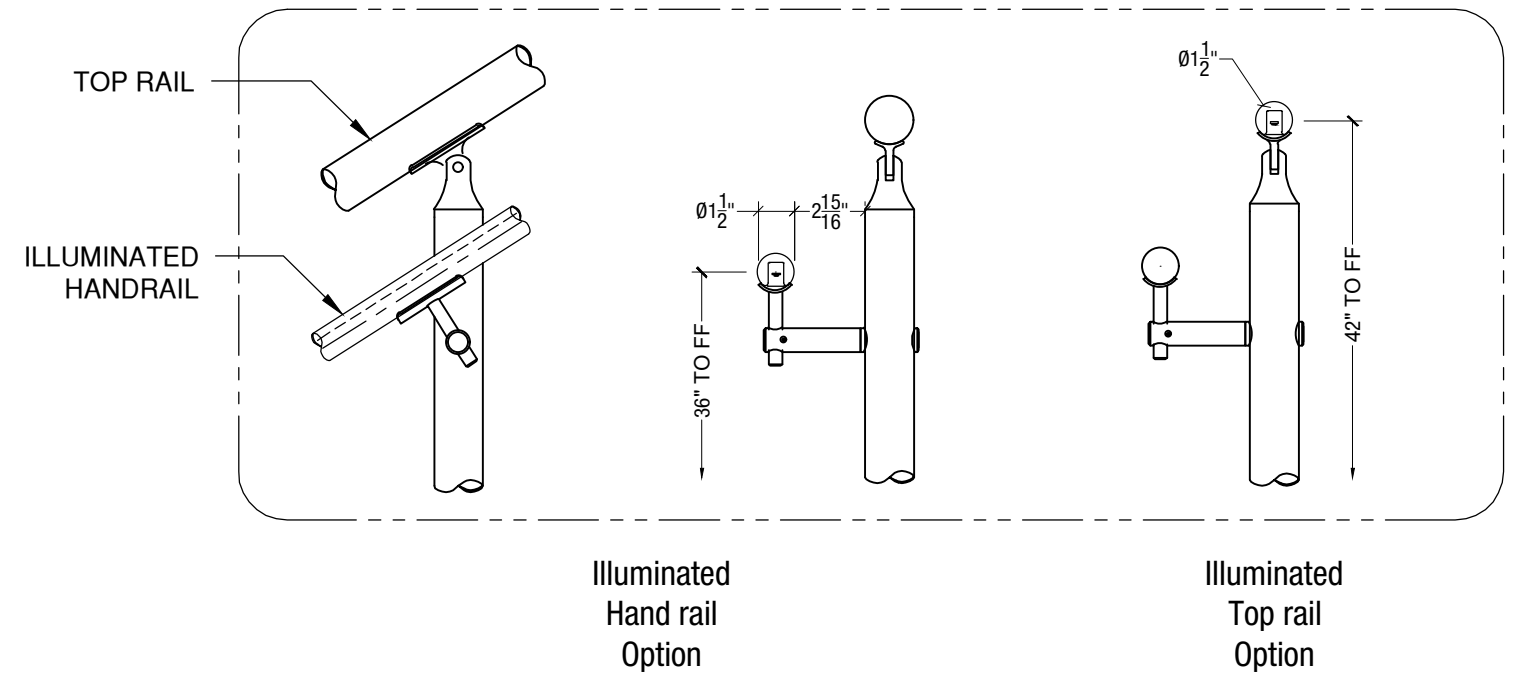
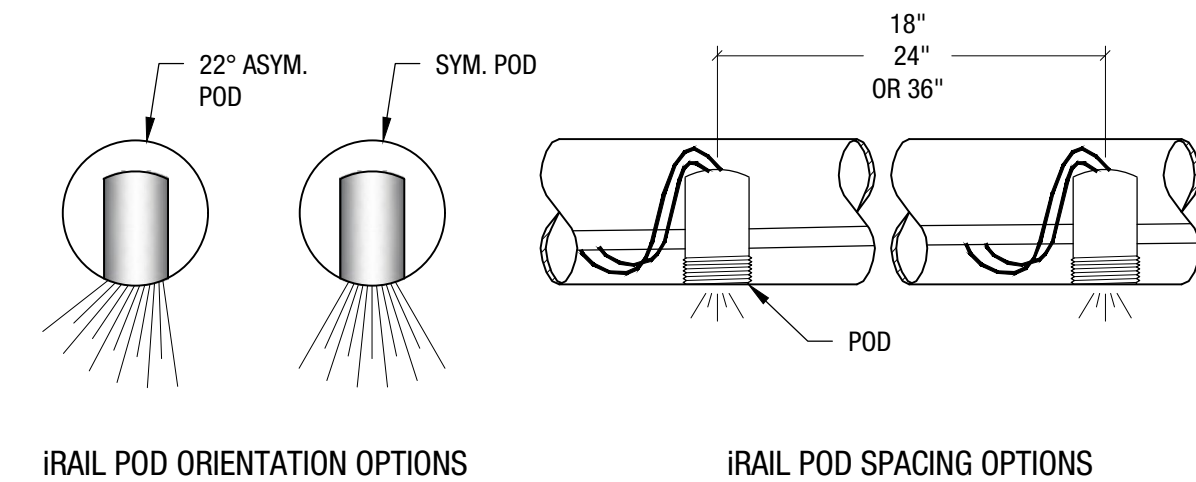
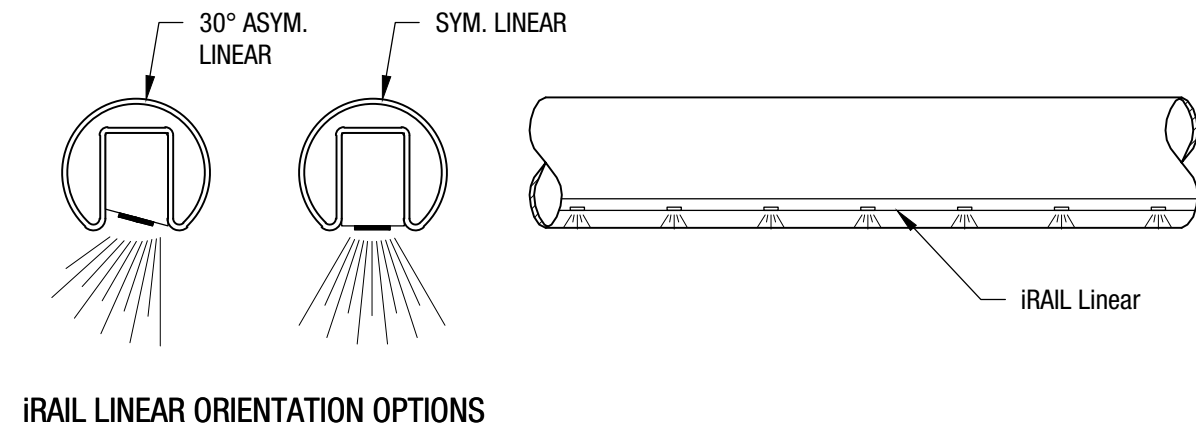
(1) Min. 4000 PSI concrete, Typ.

(2) Anchoring is not a recommended option for cable infill



CIRCA RAILING SYSTEM

ILLUMINATED RAILING

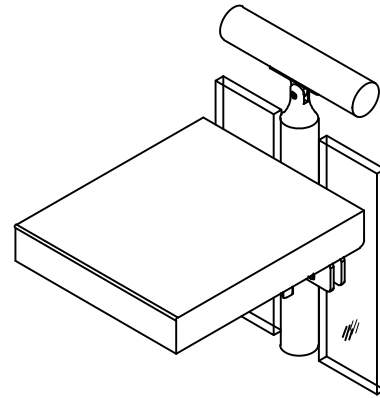


iRAIL LIGHTED RAILING SYSTEM

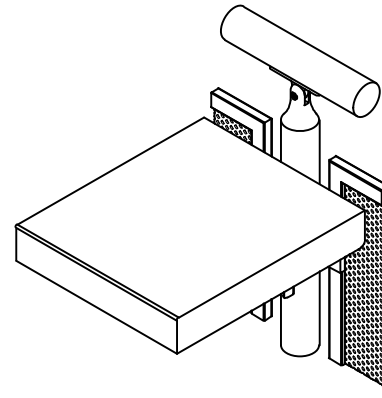


CIRCA RAILING SYSTEM

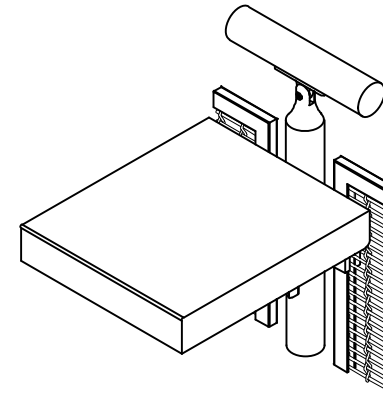
FOLDING DRINK SHELF



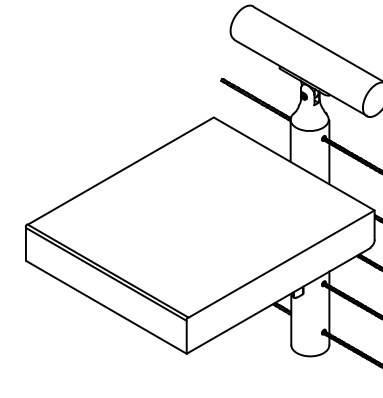
GLASS INFILL



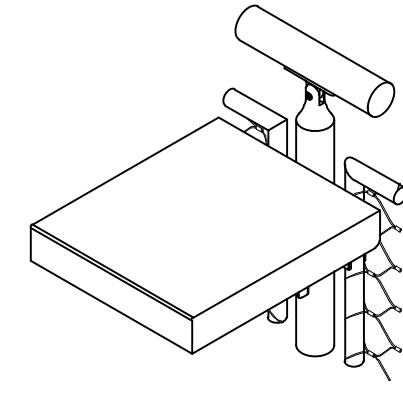
PERFORATED METAL INFILL



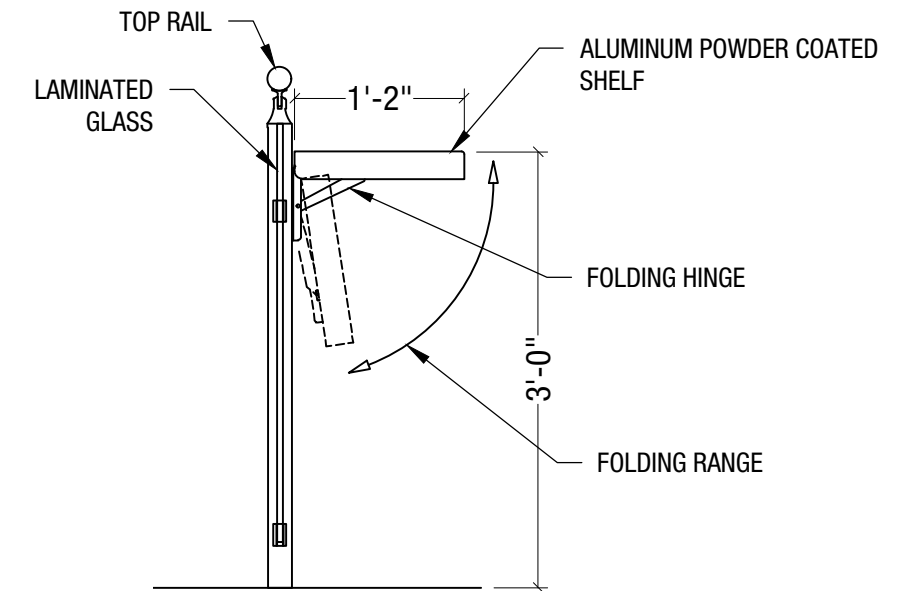
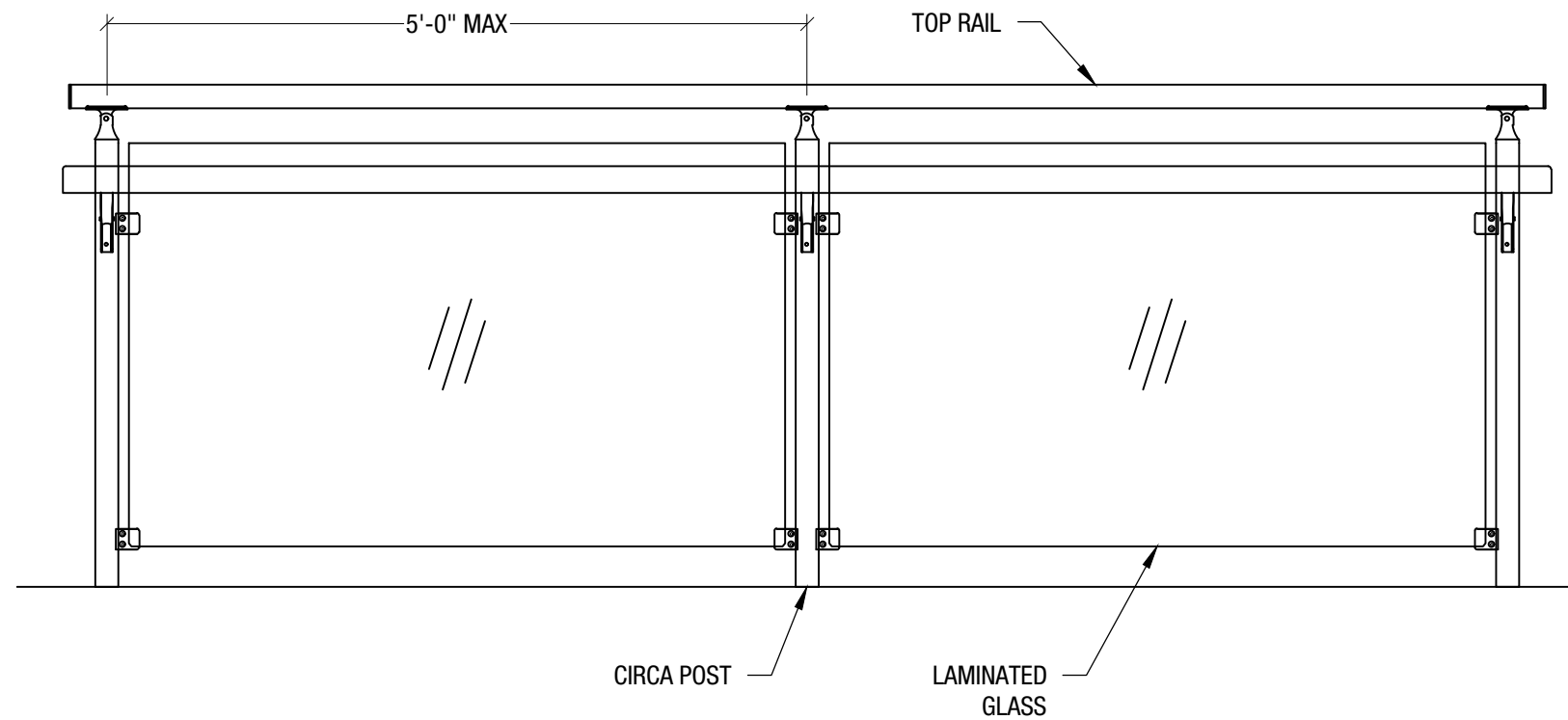
WIRE MESH INFILL



CABLE INFILL



CABLE NET INFILL



CIRCA RAILING SYSTEM

FINISHING OPTIONS

#6 Satin



CeraShield* Ceramic Coating



Powder Coat



Enhanced durability and superior protection.
Available in a wide range of colors.
(Replaces traditional powder coat finish options.)*

VIVA Railings now proudly offers CeraShield Ceramic Coating (powered by CERAKOTE Technology) as our premium finishing option, providing enhanced durability and superior protection for interior and exterior applications. While CeraShield offers unparalleled advantages in hardness, corrosion resistance, UV stability, and chemical resistance, we will continue to offer standard Powder Coat finishes to meet a variety of aesthetic preferences.

Powder coating is an environmentally-friendly option because it doesn't rely on solvents or chemical carriers. Instead, an electrostatic charge holds the paint to the steel, thus eliminating VOC emissions which will help in regards to LEED requirements. In addition, it meets AAMA specifications. Powder coating is durable and scratch resistant so it weathers and retains its original hue better than conventional liquid coatings.*



[POWDER COAT FINISHING OPTIONS](#)

[CERASHIELD FINISHING OPTIONS](#)

The digital swatches of our powder coat colors may not accurately represent the actual real-life samples. Factors such as monitor settings, lighting conditions, and individual perception can affect the colors you see on your screen. We suggest using the swatches as a general reference for color, shade, and hue, rather than expecting an exact match. For the most precise color selection, we recommend requesting physical samples or visiting our office in Lewisville, TX to evaluate the powder coat colors in person.

Please note that while we offer a diverse range of standard powder coat colors to complement our products, any selections outside of these standard options may incur additional costs. We encourage you to consult with our specialists to explore all available options and make the best decision for your project needs.



CIRCA CABLENET RAILING SYSTEM GULLIVER PREP GYM & GARAGE

GULLIVER PREP GYM & GARAGE - MIAMI, FL
General Contractor: EMM Trace, Inc.
Architect: Zyscovich



CIRCA WIRE MESH RAILING SYSTEM ALEDO ISD LYNN MCKINNEY E.S.



LYNN MCKINNEY ELEM. SCHOOL - ALEDO, TX
General Contractor: Core Construction
Architect: PBK Architects



CIRCA PICKET RAILING SYSTEM TX CAPITOL PARKING GARAGE

TFC PARKING GARAGE - AUSTIN, TX
General Contractor: JE Dunn Construction
Architect: Kirksey Architecture



CIRCA PICKET PANEL RAILING SYSTEM SMU UMPHREY LEE CENTER

THE UMPHREY LEE
CENTER

SMU UMPHREY LEE CENTER - DALLAS, TX
General Contractor: iConstruct
Architect: McCarthy Architecture



CIRCA PICKET PANEL RAILING SYSTEM UNIV. OF FLORIDA SHANDS

UNIV. OF FLORIDA SHANDS - GAINESVILLE, FL
General Contractor: Skanska USA
Architect: FLAD Architects Wisconsin



CIRCA PICKET RAILING SYSTEM GRANDSCAPE BOARDWALK



GRANDSCAPE BOARDWALK - THE COLONY, TX
General Contractor: LMG Ventures



CIRCA PICKET PANEL RAILING SYSTEM NEBRASKA FURNITURE MART GARAGE

STAIR 1
ROOF ACCESS
4
1 THRU 5
EXIT AT LEVEL 1

NFM GARAGE - THE COLONY, TX
General Contractor: Turner Construction Company
Architect: CasaBella Architects





DESIGN + ENGINEER + FABRICATE + INSTALL

151 W. Vista Ridge Mall Dr. Lewisville, TX 75067

(Dallas/Fort Worth Metroplex)

PH: 972.353.8482 | info@vivarailings.com
vivarailings.com



Inc. Magazine 500 | 5000
VIVA RAILINGS, LLC.
Among The Fastest Growing
US Companies
Eight Years in a Row
2012-2019



Inc. Magazine 500 | 5000
VIVA RAILINGS, LLC.
Among The Fastest Growing
Texas Companies
#211



ICC-ES 4405 Certified
SHOE™
Structural Glass Railing System



LEED
Material & Resources Credits 4.1 and 4.2



The American Institute of Architects



The California Contractors State License
Board Certified