



# BLADE™ PERF METAL RAILING SYSTEM PRODUCT DATA

## BLADE - AVAILABLE INFILLS

- Glass
- Perforated Metal**
- Wire Mesh
- Picket Panel
- CableNet
- Multiline
- Laser Cut Panel

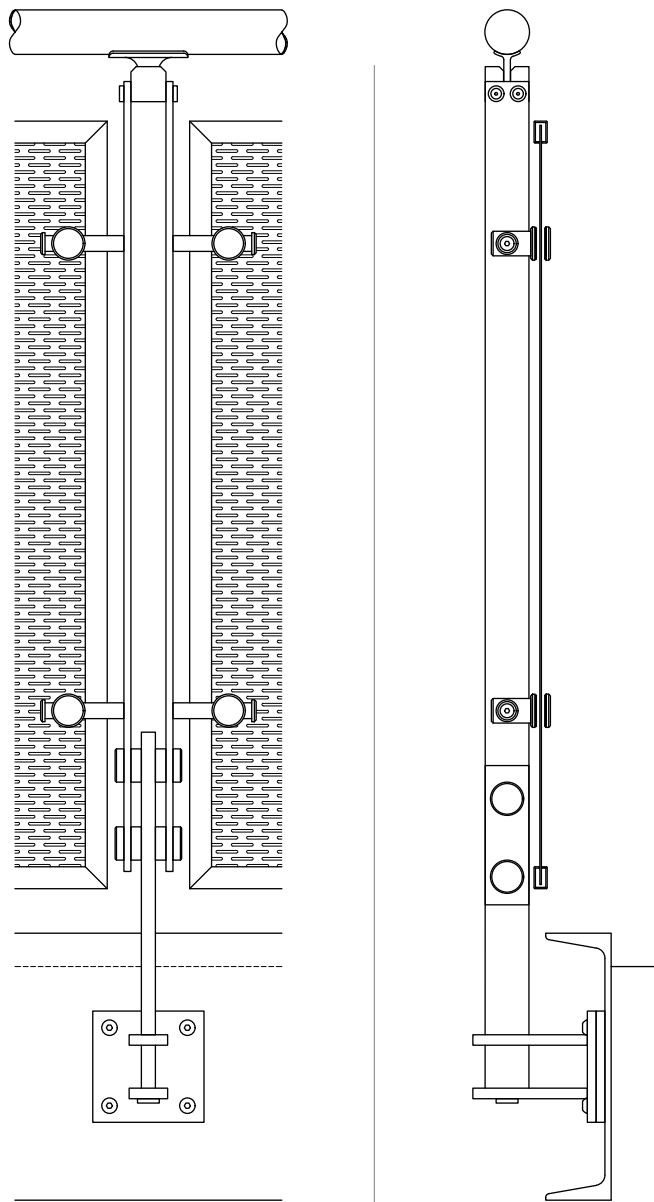


**VIVA RAILINGS**  
LEADERS IN ARCHITECTURAL RAILING SYSTEMS

DESIGN • ENGINEER • FABRICATE • INSTALL



# BLADE™ PERF METAL RAILING SYSTEM



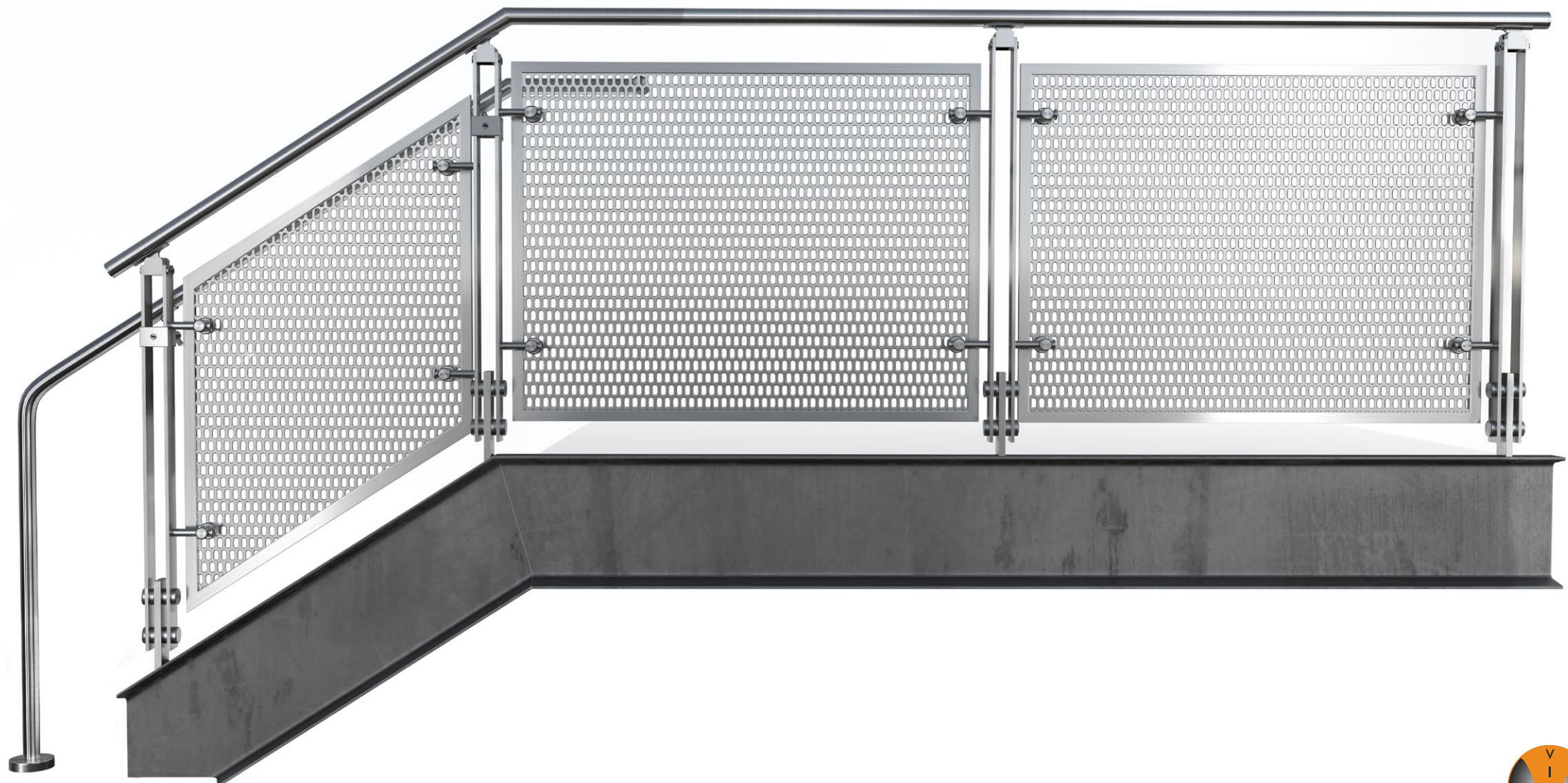
## BLADE - AVAILABLE INFILLS

- Glass
- Perforated Metal
- Wire Mesh
- Picket Panel
- CableNet
- Multiline
- Laser Cut Panel

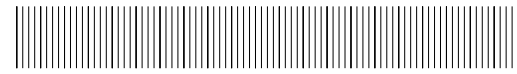
Other mounting options available.

Our BLADE Stainless Steel Railing System has an ultra-contemporary design with minimum obstruction to the line of sight. The system consists of two 2” wide vertical bars, with a cube cap at the top and barrel bolts at the bottom. This expertly-crafted system makes it appear as though the in-fill panels are suspended in air!

BLADE is available in CeraShield or powder-coated colors and with an option for LED illuminated rail.



# BLADE™ GLASS & METAL SYSTEM - TECHNICAL DATA



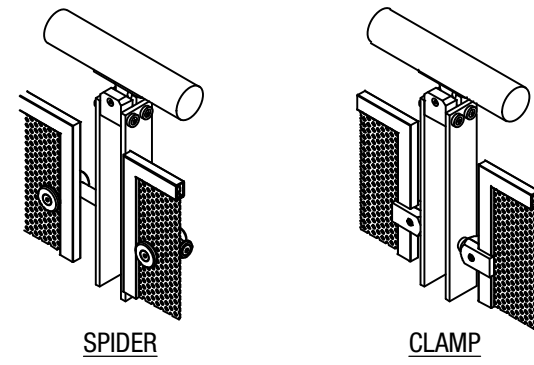
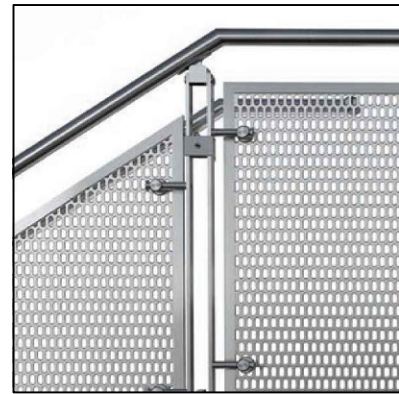
	MATERIAL	FINISH	SIZE/SPACING
POST	Stainless Steel (304 or 316)	#6 Satin	2X2-1/4" @ 5'-0" max. O.C. 4'-6" max. for perforated and wire mesh infill. 4'-0" max. for Multiline. Fascia, Top or Core mount.
	Stainless Steel (201)	CeraShield (Recommended) Powder Coat PVDF <small>VIVA Standard: All brackets, spiders, and accessories are satin finish stainless steel and are not coated. A coated finish is available upon request.</small>	
INFILL OPTIONS	Glass	Clear, Digitally Printed, Tinted, Colored Interlayer, Cast	Min. 3/8" laminated glass with PVB or SGP interlayer <sup>1</sup> Glass standard thickness: 3/8", 1/2", 5/8", 3/4" Interlayer standard thickness: SGP: 0.035", 0.06" PVB: 0.035"
	Picket	#6 Satin CeraShield (Recommended) Powder Coat PVDF	Ø1/2" picket
	Perforated Metal		1" wide frame
	Laser Cut	CeraShield (Recommended) Powder Coat PVDF	1/4" thick aluminum
	Steel Wire Mesh Weld <small>Applies for WM-38ST and WM-50ST wire mesh options.</small>		1" wide frame
	Stainless Steel Wire Mesh Weld <small>Applies for WM-38SS and WM-50SS wire mesh options.</small>	#6 Satin	Ø1/2" multiline
	Stainless Steel Wire Mesh Woven <small>Applies for WM-10SS, WM-11SS, WM-13SS and WM-14SS wire mesh options.</small>		Ø1" frame, Ø1/16" (1.5mm) cable mesh
	Multiline		
CableNet			
TOP RAIL/HAND RAIL	Stainless Steel Tube	#6 Satin (Recommended) CeraShield Powder Coat PVDF	Ø1-1/2" or Ø2" for Hand Rail Ø1-1/2", Ø2" or 2"x1" Rectangular Tube for Top Rail
	Stainless Steel Tube with LED <sup>2</sup>		Ø1-1/2" with LED LINEAR, Ø1-1/2" or Ø2" with LED POD
	Wood (Red Oak, Cherry or Maple) <sup>3</sup>	Unstained	Ø2"
	Wood (Red Oak, Cherry or Maple) with LED		Ø2" with LED LINEAR



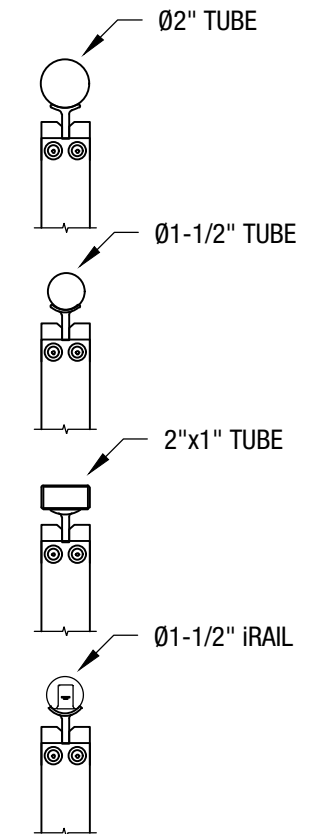
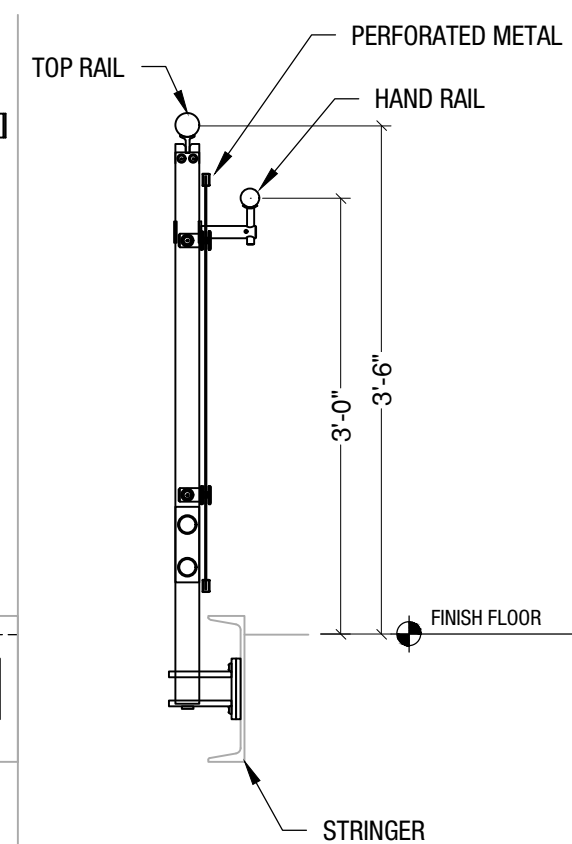
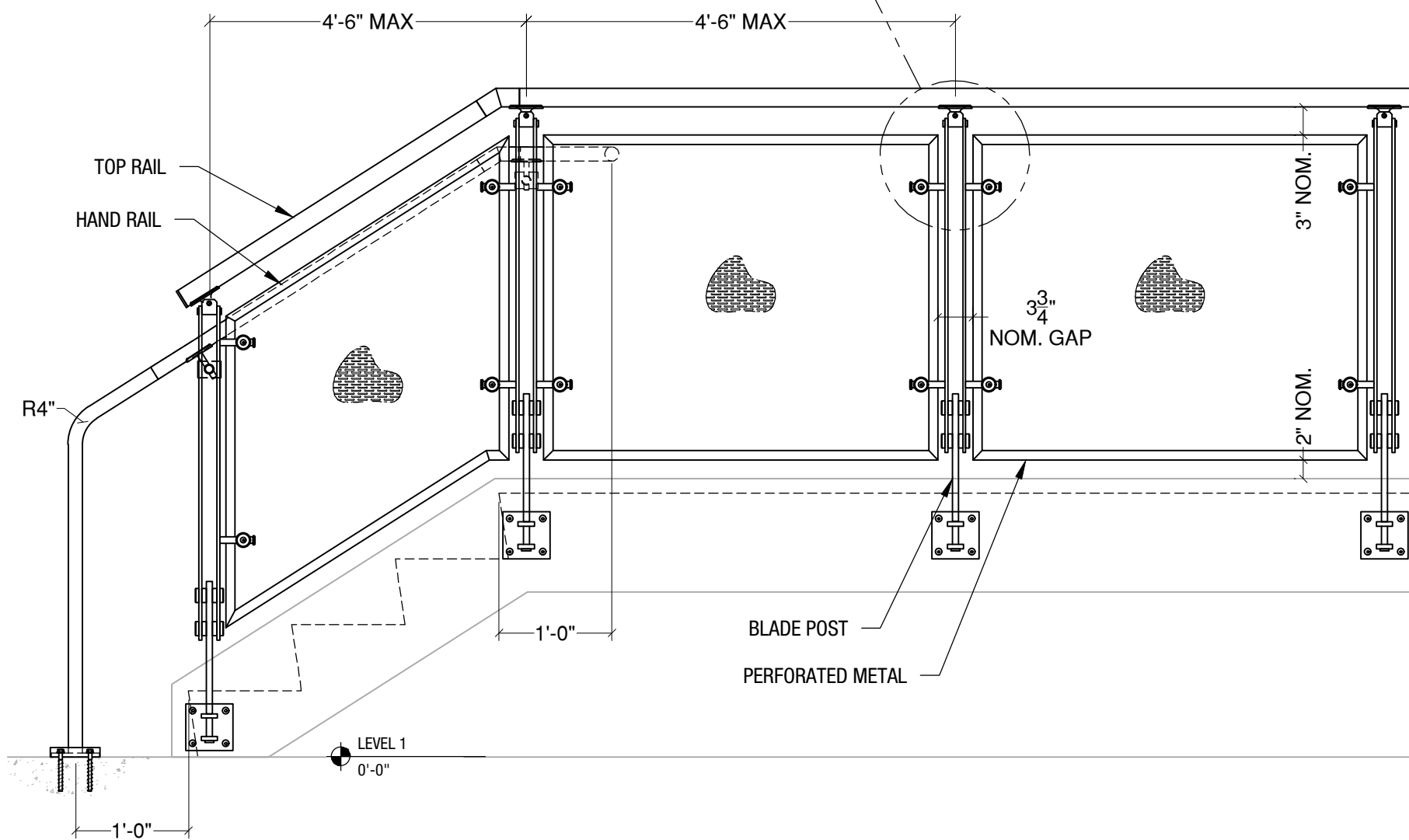
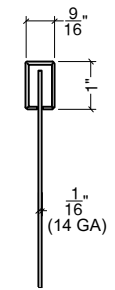
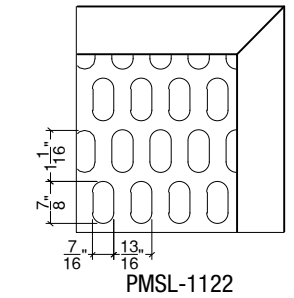
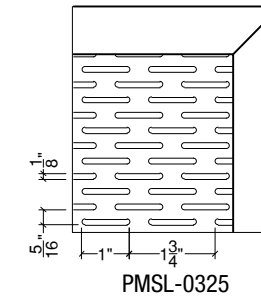
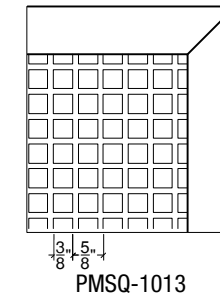
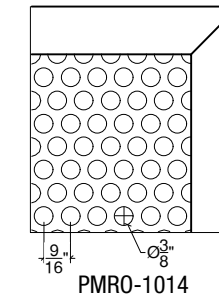
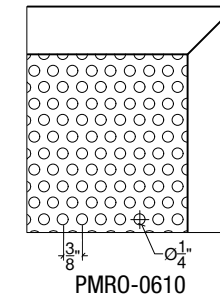
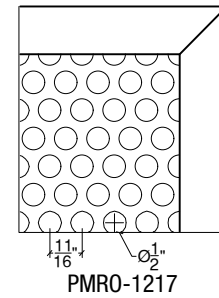
1. IBC 2015 & newer requires railing glass to be laminated. VIVA recommends SGP for exterior applications.  
2. All LED LINEAR products are ETL certified; ETL mark is proof of product compliance to North American safety standard.  
3. Other species available upon request.



# BLADE RAILING SYSTEM PERFORATED METAL INFILL



## AVAILABLE PERFORATED TYPES



## TOP RAIL OPTIONS

VIVA RAILINGS IS NOT RESPONSIBLE FOR THE STRUCTURAL INTEGRITY OF ANY BUILDING SYSTEMS OR OTHER MATERIALS NOT FURNISHED BY VIVA RAILINGS. VIVA RAILINGS HAS NO WAY OF KNOWING AND SPECIFICALLY DISCLAIMS WHETHER OR NOT THE BUILDING SYSTEMS TO WHICH VIVA RAILINGS' PRODUCTS ARE TO BE ATTACHED ARE STRUCTURALLY SOUND OR DESIGNED TO PROPERLY SUPPORT VIVA RAILINGS'S MATERIALS. ANY SUCH DESIGN RESPONSIBILITY BELONGS TO OTHERS FOR WHOM VIVA RAILINGS IS NOT RESPONSIBLE. THESE DRAWINGS ARE INTENDED FOR THE SOLE USE OF VIVA RAILINGS' CUSTOMER AND THEIR AGENTS FOR THE INSTALLATION OF PRODUCTS FURNISHED BY VIVA RAILINGS. VIVA RAILINGS REMAINS THE SOLE OWNER OF ALL DESIGNS AND INTELLECTUAL PROPERTY CONTAINED WITHIN. REPRODUCTION AND USE OF THESE DESIGNS FOR ANY OTHER PURPOSE IS FORBIDDEN. SCALES ARE PROVIDED FOR REFERENCE ONLY. FOR PRODUCT INFORMATION AND TECHNICAL SUPPORT, PLEASE CONTACT VIVA RAILINGS.



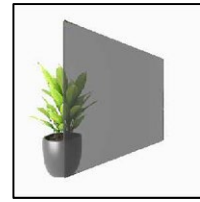
# BLADE RAILING SYSTEM GLASS INFILL



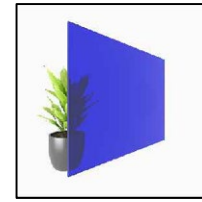
## AVAILABLE GLASS TYPES



Clear Laminated  
(PVB or SGP)



Tinted



Colored Interlayer



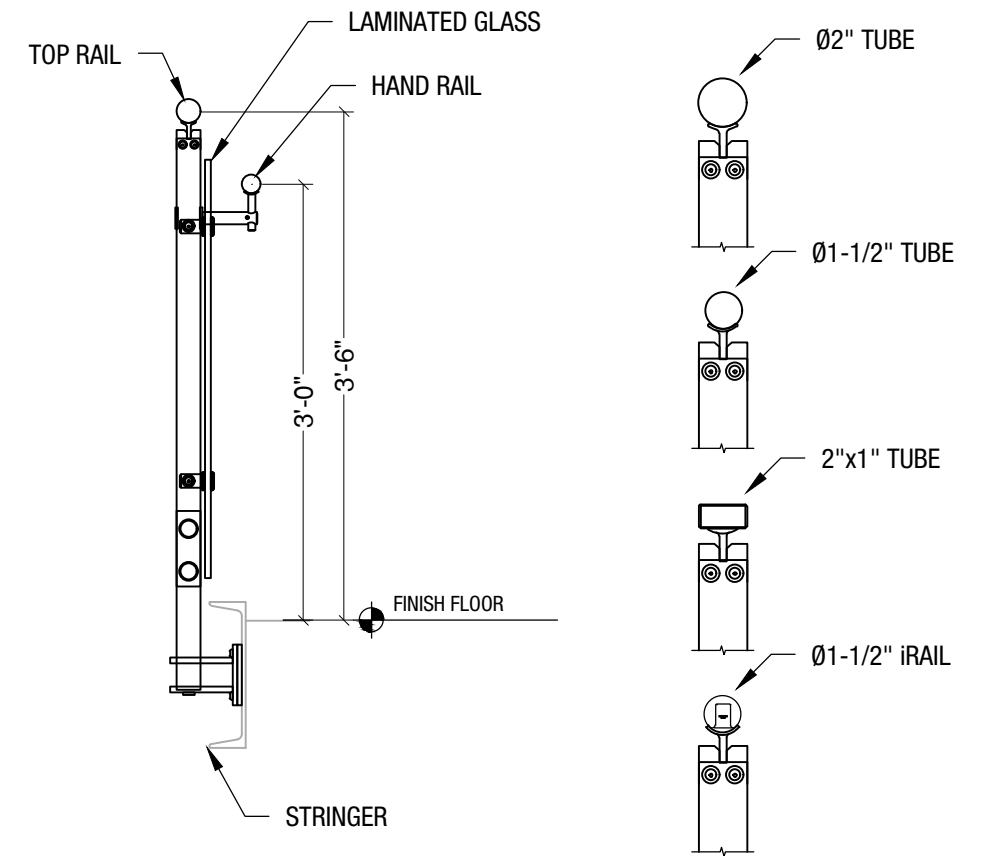
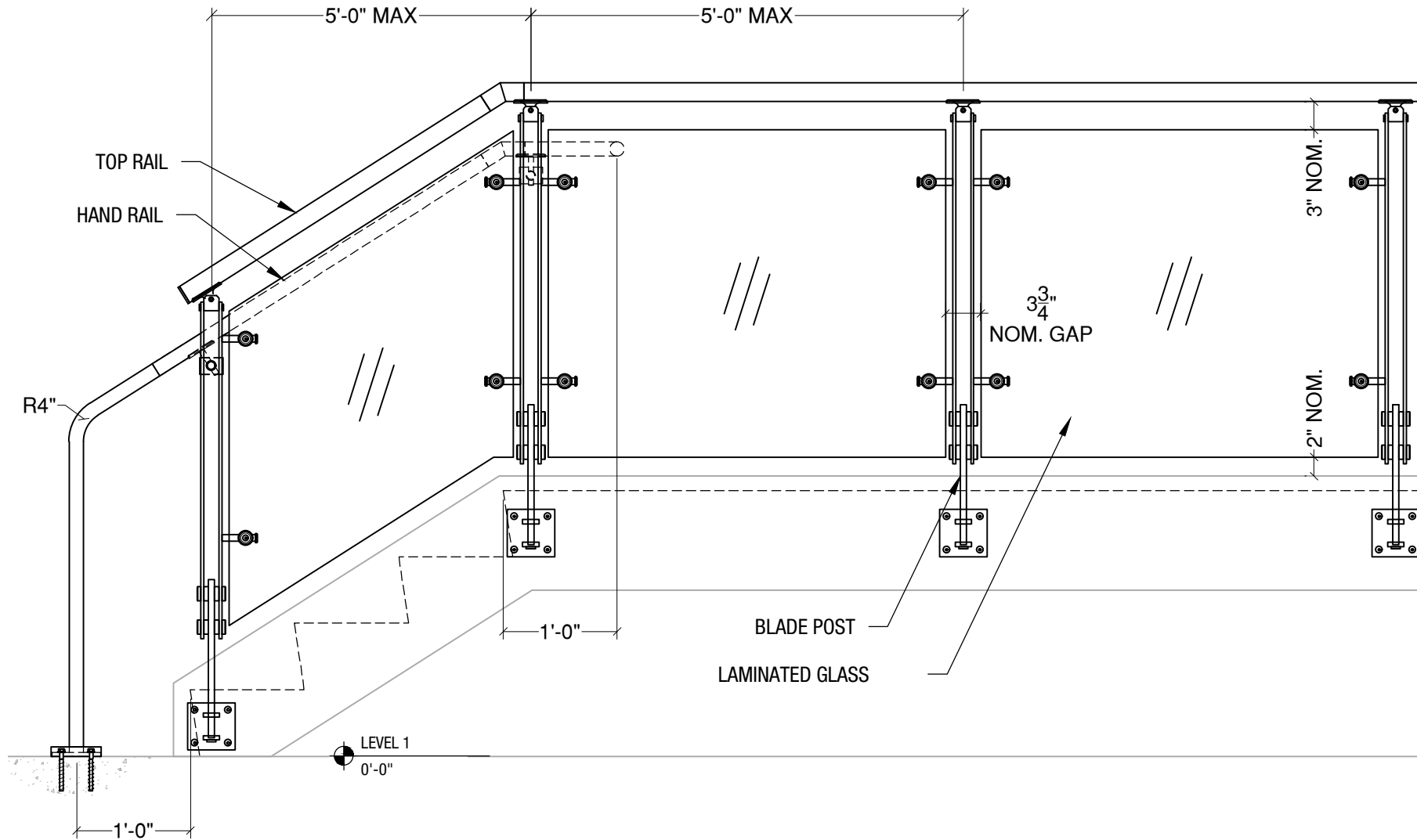
Frosted



Ceramic Frit



Casted

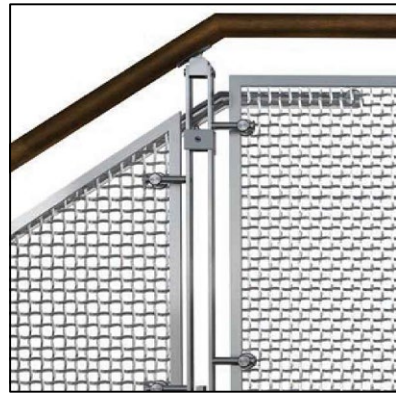


## TOP RAIL OPTIONS

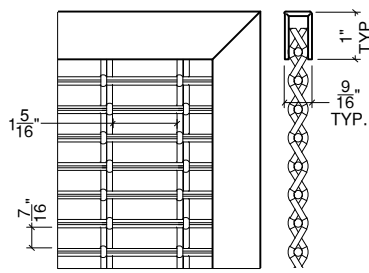
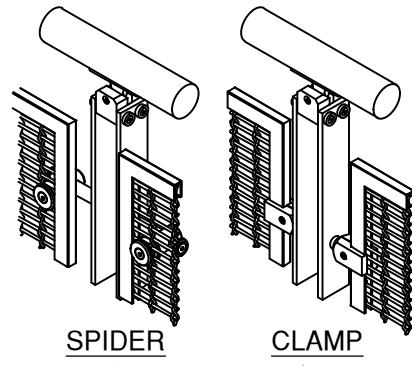
VIVA RAILINGS IS NOT RESPONSIBLE FOR THE STRUCTURAL INTEGRITY OF ANY BUILDING SYSTEMS OR OTHER MATERIALS NOT FURNISHED BY VIVA RAILINGS. VIVA RAILINGS HAS NO WAY OF KNOWING AND SPECIFICALLY DISCLAIMS WHETHER OR NOT THE BUILDING SYSTEMS TO WHICH VIVA RAILINGS' PRODUCTS ARE TO BE ATTACHED ARE STRUCTURALLY SOUND OR DESIGNED TO PROPERLY SUPPORT VIVA RAILINGS'S MATERIALS. ANY SUCH DESIGN RESPONSIBILITY BELONGS TO OTHERS FOR WHOM VIVA RAILINGS IS NOT RESPONSIBLE. THESE DRAWINGS ARE INTENDED FOR THE SOLE USE OF VIVA RAILINGS' CUSTOMER AND THEIR AGENTS FOR THE INSTALLATION OF PRODUCTS FURNISHED BY VIVA RAILINGS. VIVA RAILINGS REMAINS THE SOLE OWNER OF ALL DESIGNS AND INTELLECTUAL PROPERTY CONTAINED WITHIN. REPRODUCTION AND USE OF THESE DESIGNS FOR ANY OTHER PURPOSE IS FORBIDDEN. SCALES ARE PROVIDED FOR REFERENCE ONLY. FOR PRODUCT INFORMATION AND TECHNICAL SUPPORT, PLEASE CONTACT VIVA RAILINGS.



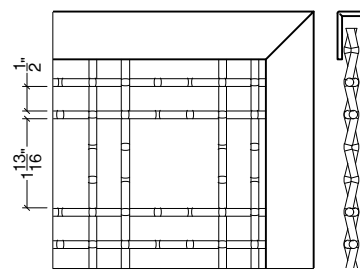
# BLADE RAILING SYSTEM WIRE MESH INFILL



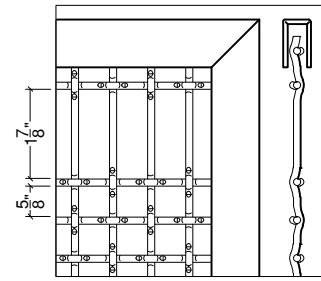
## AVAILABLE WIRE MESH TYPES



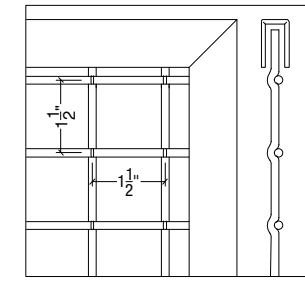
WM-10SS  
(Woven SS)



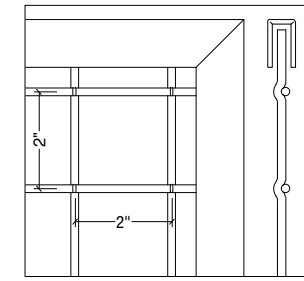
WM-13SS  
(Woven SS)



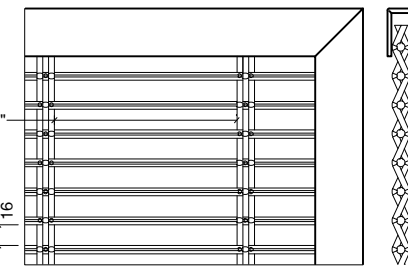
WM-17SS  
(Woven SS)



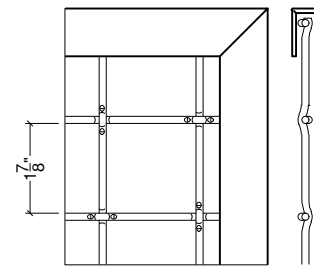
WM-38ST  
(Welded Steel)



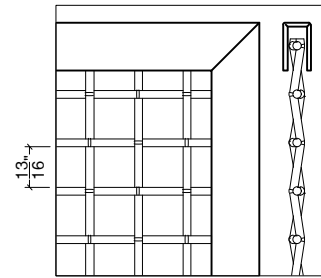
WM-50ST  
(Welded Steel)



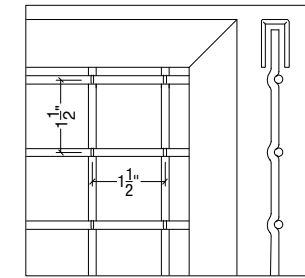
WM-11SS  
(Woven SS)



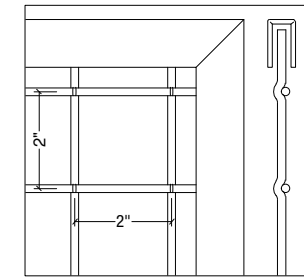
WM-14SS  
(Woven SS)



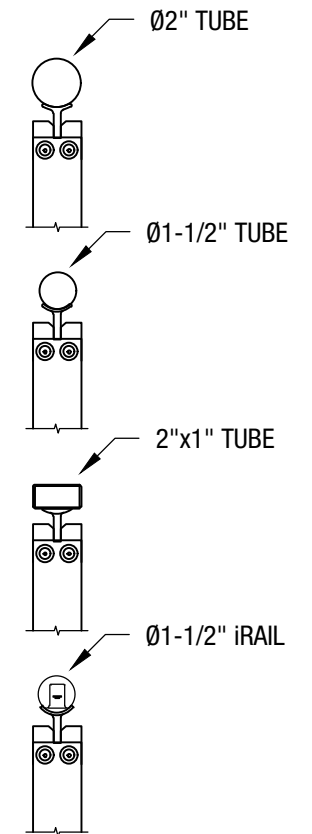
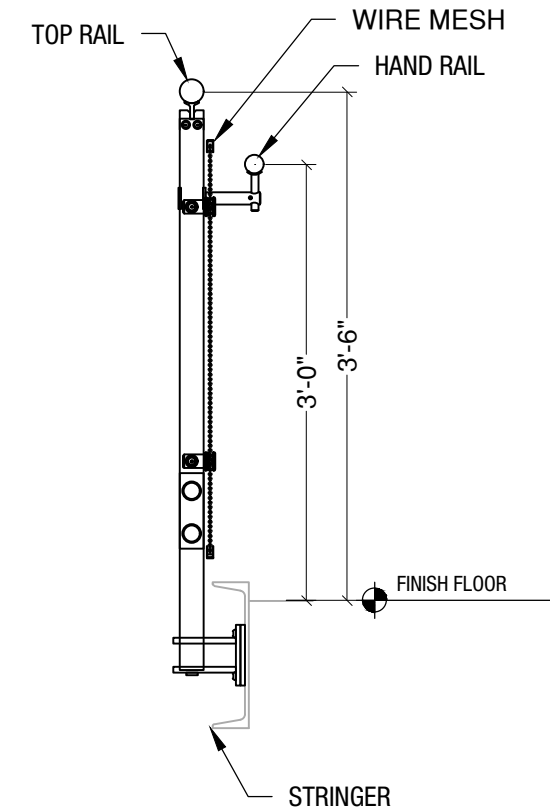
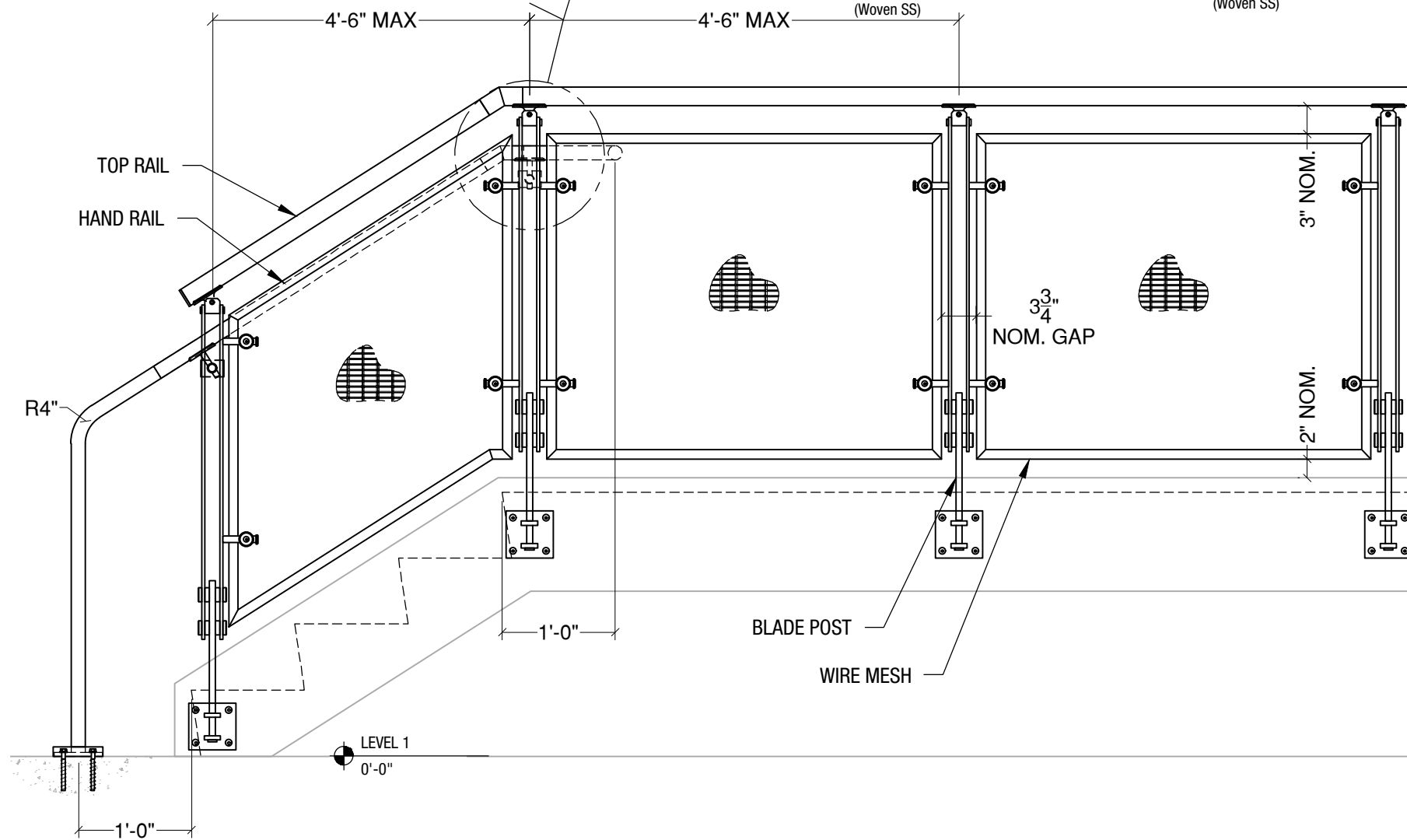
WM-20SS  
(Woven SS)



WM-38SS  
(Welded Stainless Steel)



WM-50SS  
(Welded Stainless Steel)

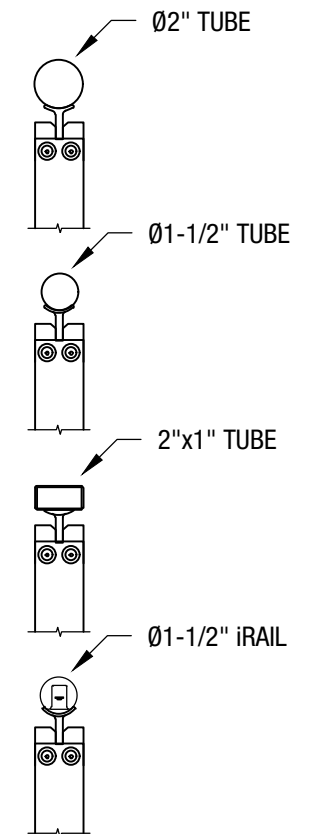
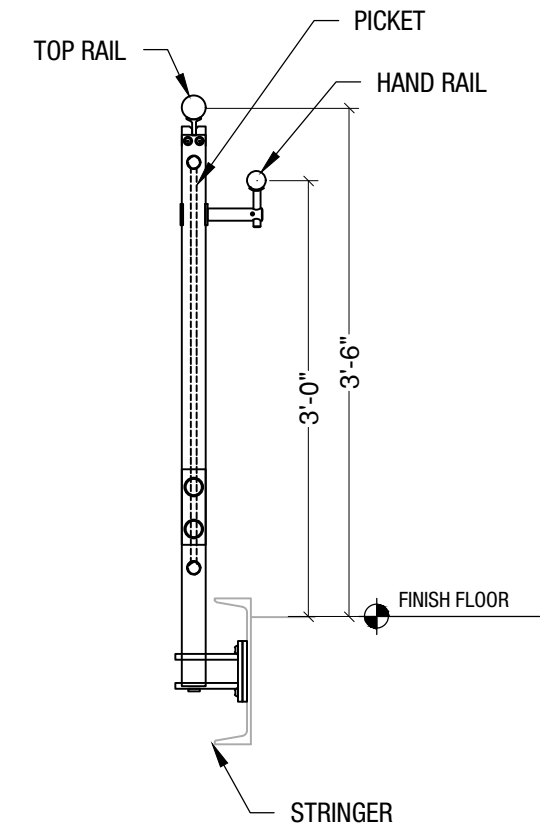
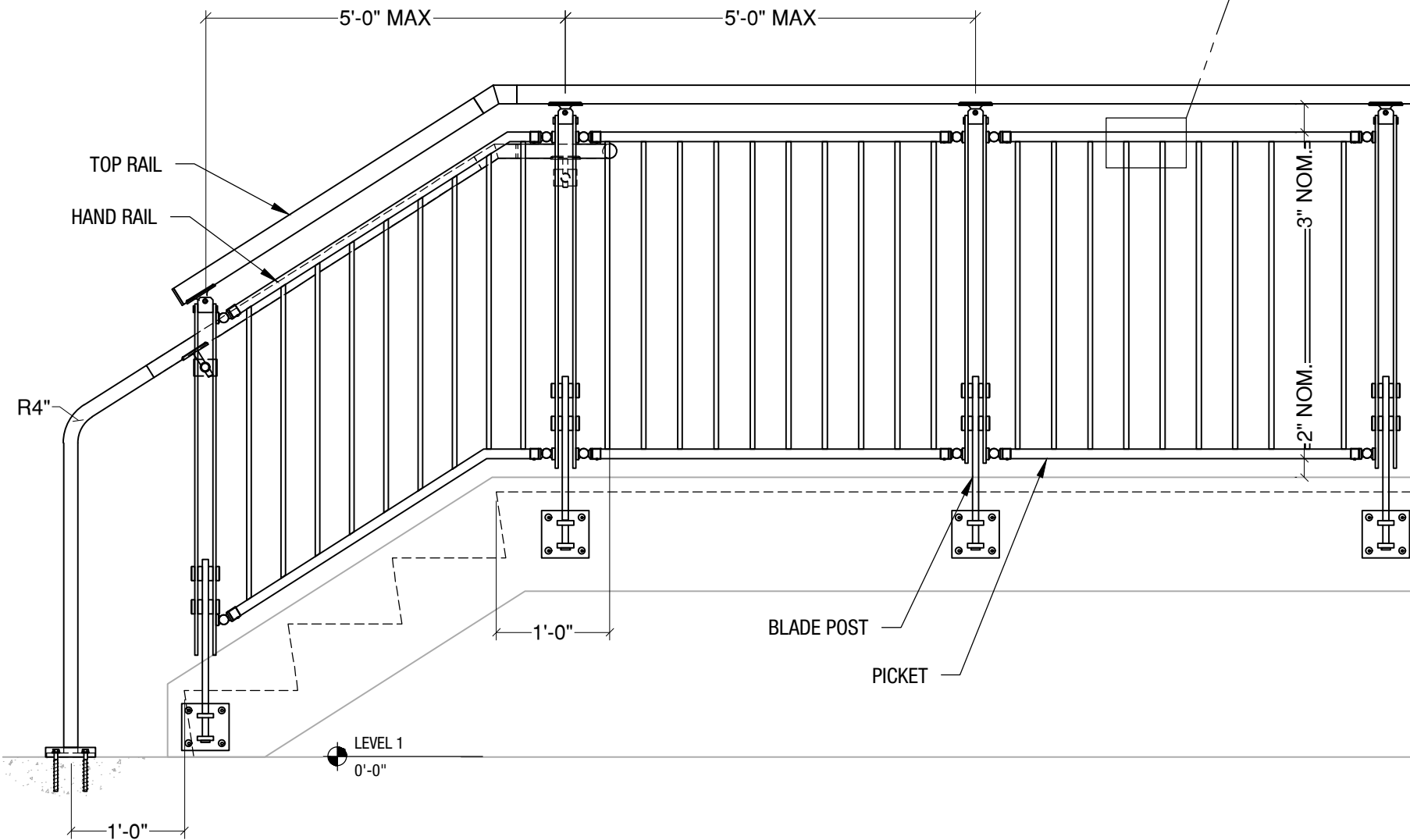
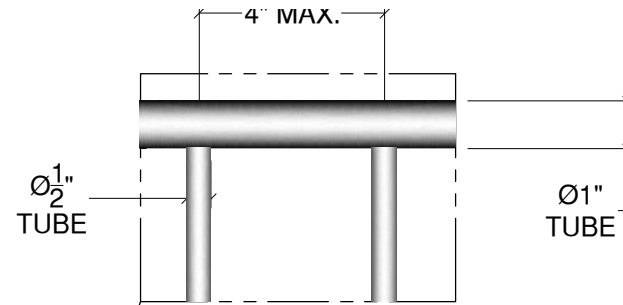
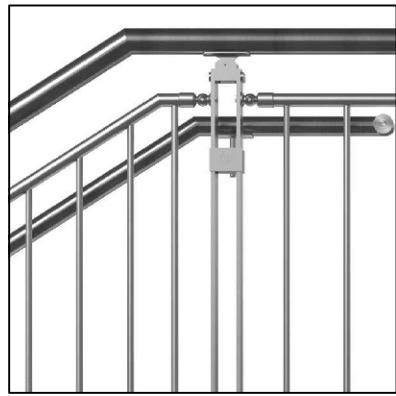


## TOP RAIL OPTIONS

VIVA RAILINGS IS NOT RESPONSIBLE FOR THE STRUCTURAL INTEGRITY OF ANY BUILDING SYSTEMS OR OTHER MATERIALS NOT FURNISHED BY VIVA RAILINGS. VIVA RAILINGS HAS NO WAY OF KNOWING AND SPECIFICALLY DISCLAIMS WHETHER OR NOT THE BUILDING SYSTEMS TO WHICH VIVA RAILINGS' PRODUCTS ARE TO BE ATTACHED ARE STRUCTURALLY SOUND OR DESIGNED TO PROPERLY SUPPORT VIVA RAILINGS'S MATERIALS. ANY SUCH DESIGN RESPONSIBILITY BELONGS TO OTHERS FOR WHOM VIVA RAILINGS IS NOT RESPONSIBLE. THESE DRAWINGS ARE INTENDED FOR THE SOLE USE OF VIVA RAILINGS' CUSTOMER AND THEIR AGENTS FOR THE INSTALLATION OF PRODUCTS FURNISHED BY VIVA RAILINGS. VIVA RAILINGS REMAINS THE SOLE OWNER OF ALL DESIGNS AND INTELLECTUAL PROPERTY CONTAINED WITHIN. REPRODUCTION AND USE OF THESE DESIGNS FOR ANY OTHER PURPOSE IS FORBIDDEN. SCALES ARE PROVIDED FOR REFERENCE ONLY. FOR PRODUCT INFORMATION AND TECHNICAL SUPPORT, PLEASE CONTACT VIVA RAILINGS.



# BLADE RAILING SYSTEM PICKET PANEL INFILL

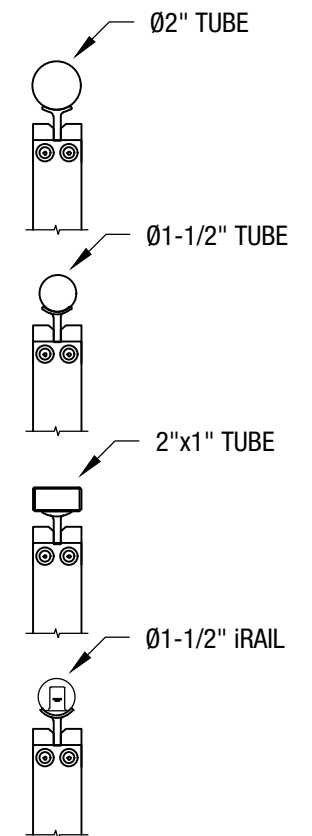
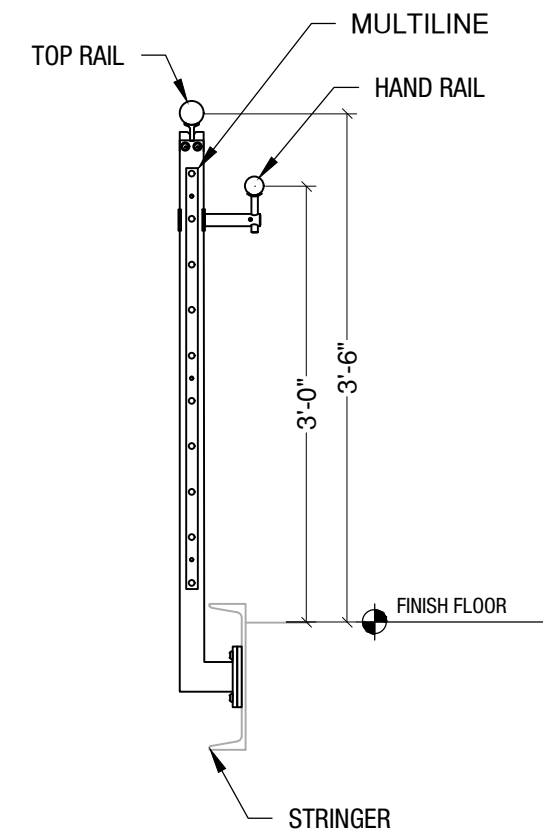
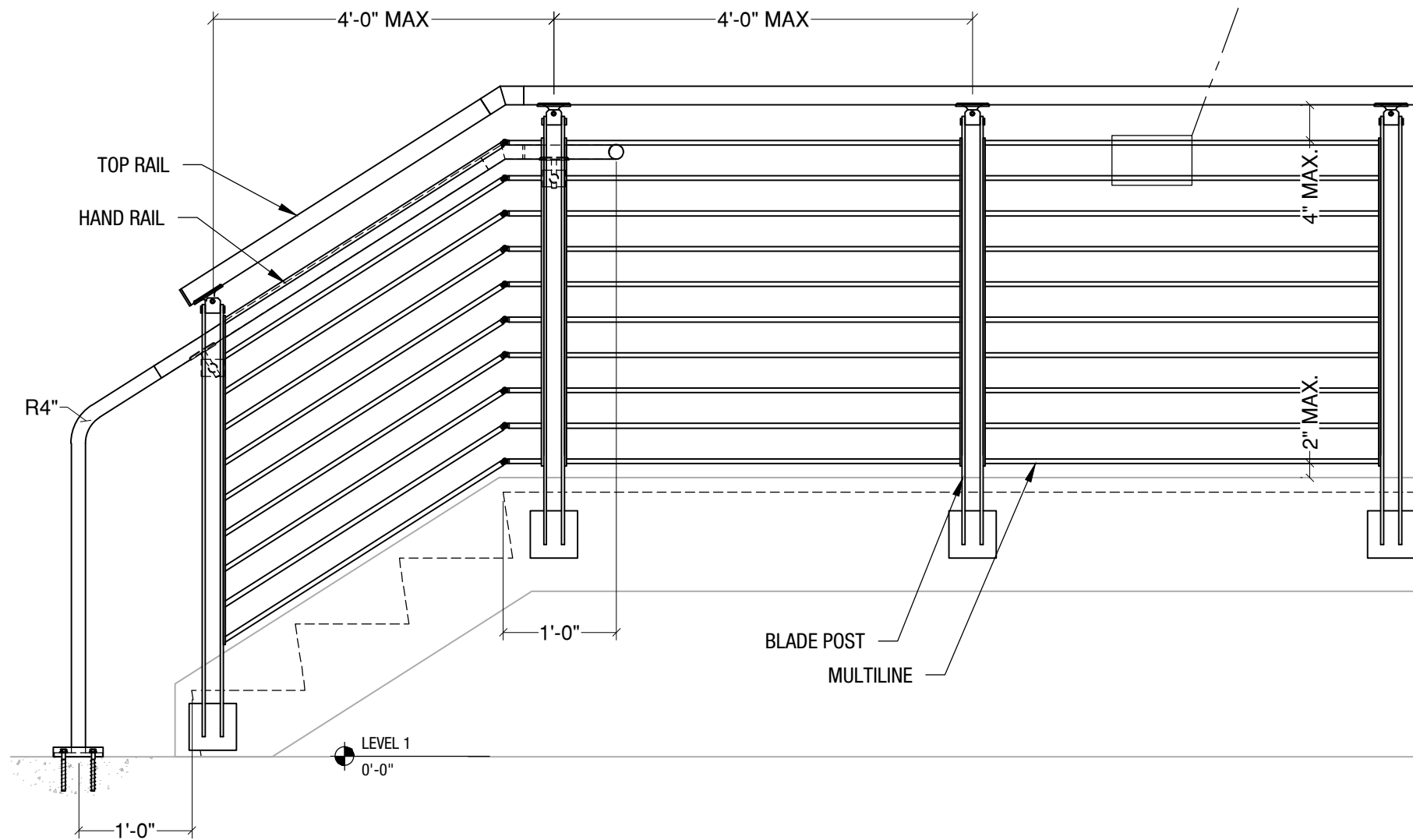


TOP RAIL OPTIONS

VIVA RAILINGS IS NOT RESPONSIBLE FOR THE STRUCTURAL INTEGRITY OF ANY BUILDING SYSTEMS OR OTHER MATERIALS NOT FURNISHED BY VIVA RAILINGS. VIVA RAILINGS HAS NO WAY OF KNOWING AND SPECIFICALLY DISCLAIMS WHETHER OR NOT THE BUILDING SYSTEMS TO WHICH VIVA RAILINGS' PRODUCTS ARE TO BE ATTACHED ARE STRUCTURALLY SOUND OR DESIGNED TO PROPERLY SUPPORT VIVA RAILINGS'S MATERIALS. ANY SUCH DESIGN RESPONSIBILITY BELONGS TO OTHERS FOR WHOM VIVA RAILINGS IS NOT RESPONSIBLE. THESE DRAWINGS ARE INTENDED FOR THE SOLE USE OF VIVA RAILINGS' CUSTOMER AND THEIR AGENTS FOR THE INSTALLATION OF PRODUCTS FURNISHED BY VIVA RAILINGS. VIVA RAILINGS REMAINS THE SOLE OWNER OF ALL DESIGNS AND INTELLECTUAL PROPERTY CONTAINED WITHIN. REPRODUCTION AND USE OF THESE DESIGNS FOR ANY OTHER PURPOSE IS FORBIDDEN. SCALES ARE PROVIDED FOR REFERENCE ONLY. FOR PRODUCT INFORMATION AND TECHNICAL SUPPORT, PLEASE CONTACT VIVA RAILINGS.



# BLADE RAILING SYSTEM MULTILINE INFILL

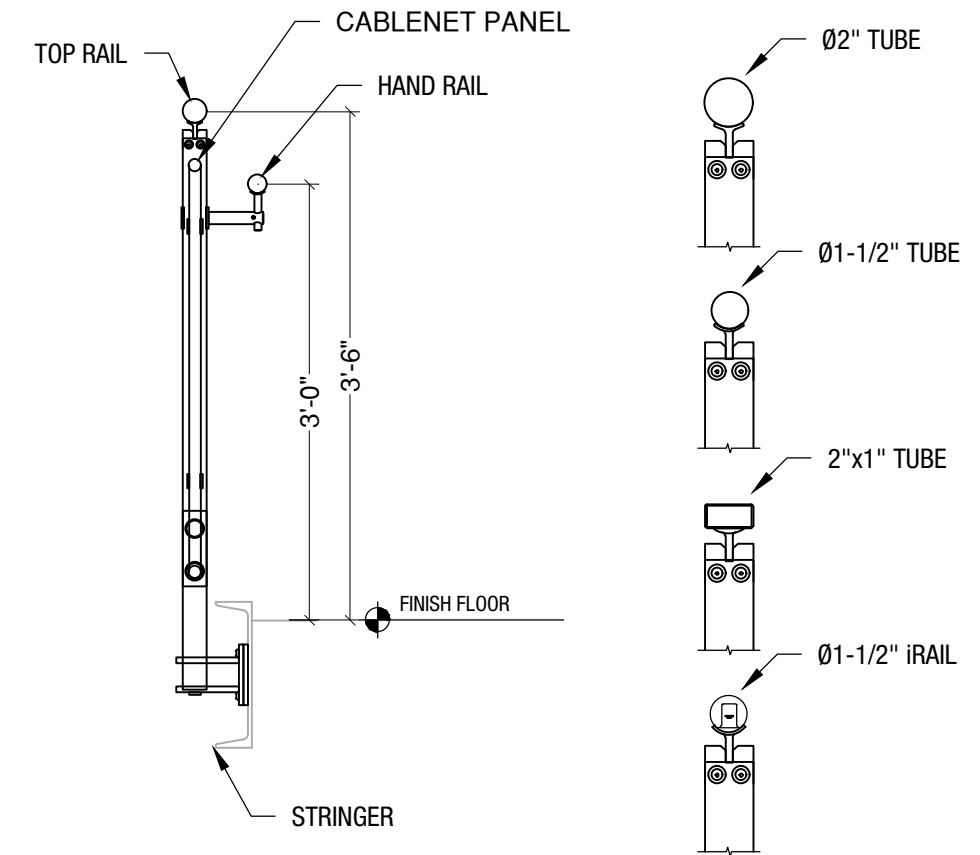
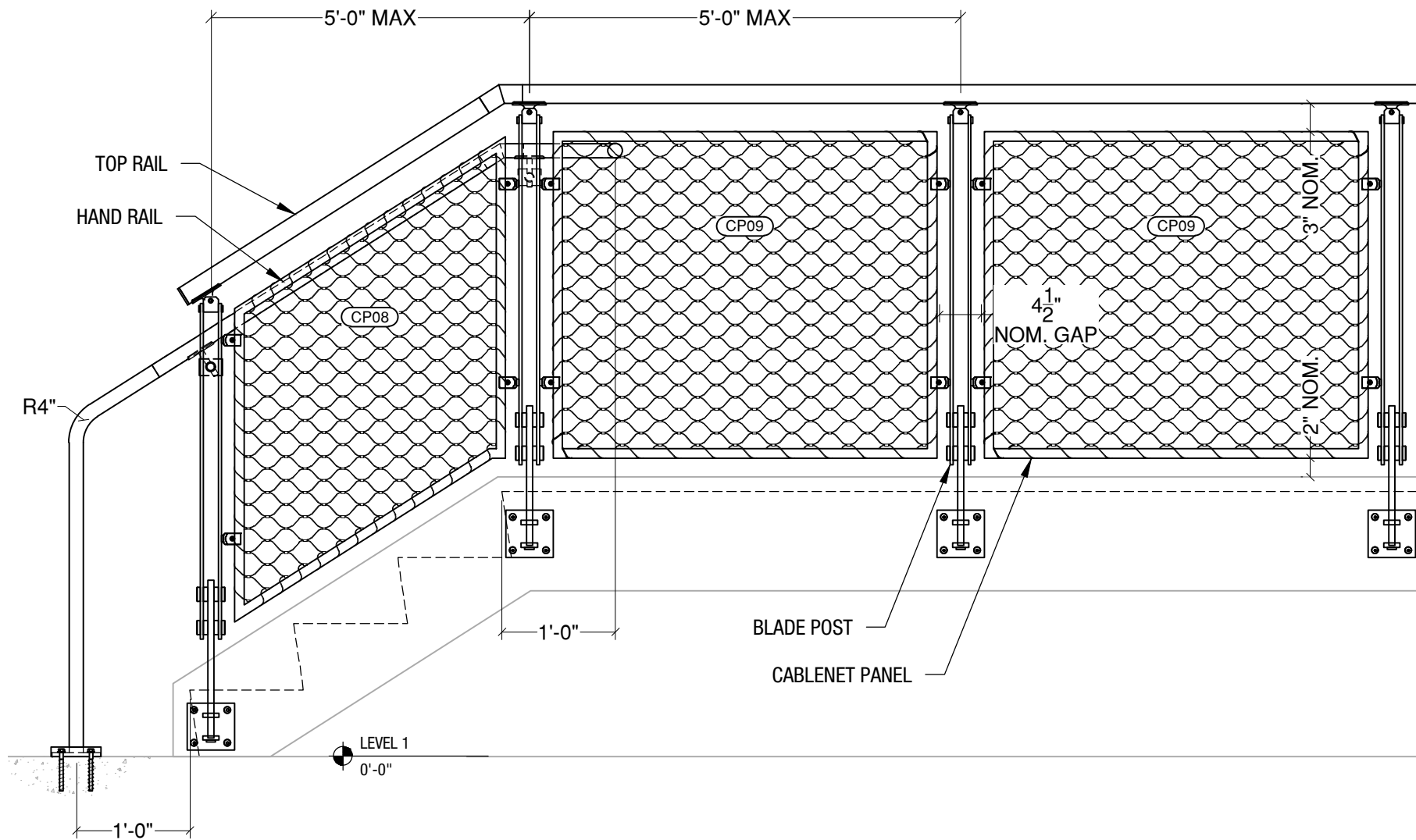
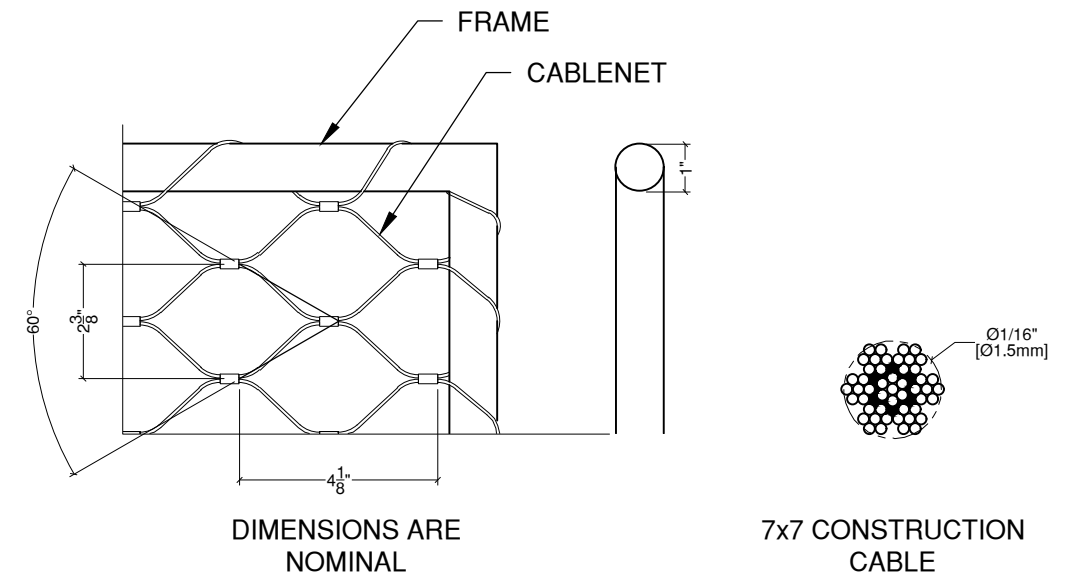
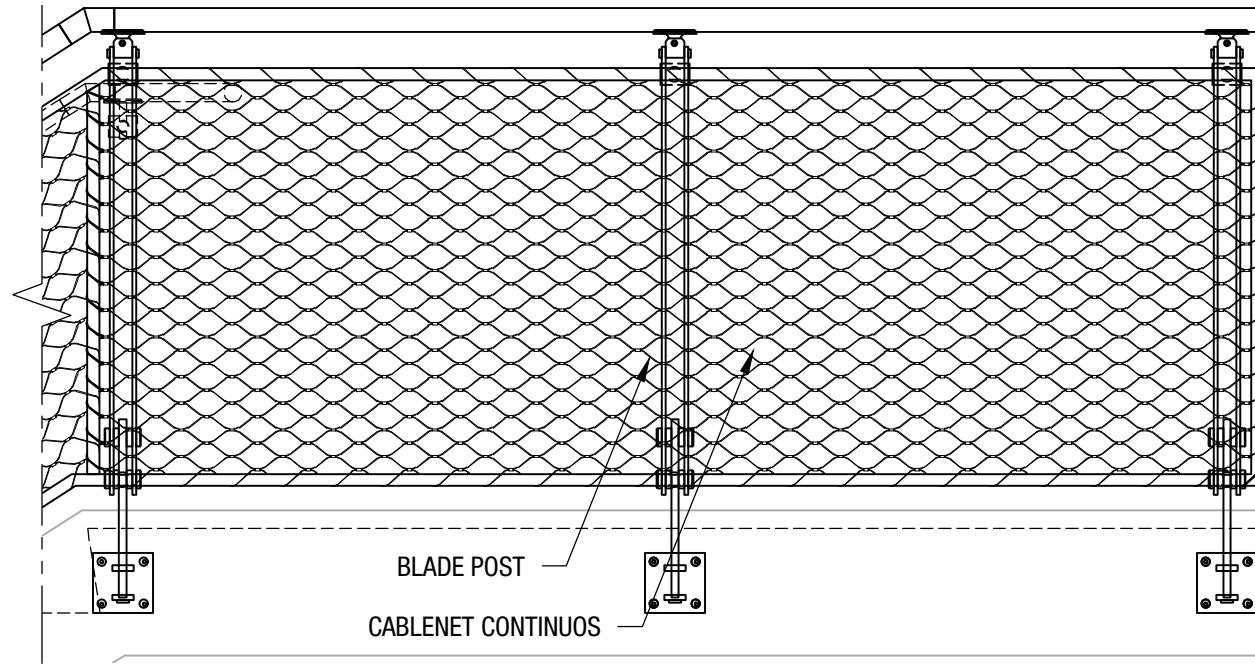
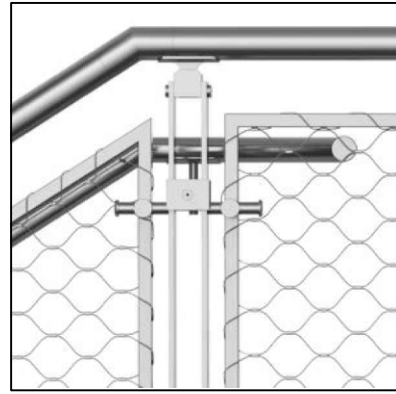


TOP RAIL OPTIONS

VIVA RAILINGS IS NOT RESPONSIBLE FOR THE STRUCTURAL INTEGRITY OF ANY BUILDING SYSTEMS OR OTHER MATERIALS NOT FURNISHED BY VIVA RAILINGS. VIVA RAILINGS HAS NO WAY OF KNOWING AND SPECIFICALLY DISCLAIMS WHETHER OR NOT THE BUILDING SYSTEMS TO WHICH VIVA RAILINGS' PRODUCTS ARE TO BE ATTACHED ARE STRUCTURALLY SOUND OR DESIGNED TO PROPERLY SUPPORT VIVA RAILINGS'S MATERIALS. ANY SUCH DESIGN RESPONSIBILITY BELONGS TO OTHERS FOR WHOM VIVA RAILINGS IS NOT RESPONSIBLE. THESE DRAWINGS ARE INTENDED FOR THE SOLE USE OF VIVA RAILINGS' CUSTOMER AND THEIR AGENTS FOR THE INSTALLATION OF PRODUCTS FURNISHED BY VIVA RAILINGS. VIVA RAILINGS REMAINS THE SOLE OWNER OF ALL DESIGNS AND INTELLECTUAL PROPERTY CONTAINED WITHIN. REPRODUCTION AND USE OF THESE DESIGNS FOR ANY OTHER PURPOSE IS FORBIDDEN. SCALES ARE PROVIDED FOR REFERENCE ONLY. FOR PRODUCT INFORMATION AND TECHNICAL SUPPORT, PLEASE CONTACT VIVA RAILINGS.



# BLADE RAILING SYSTEM CABLENET INFILL

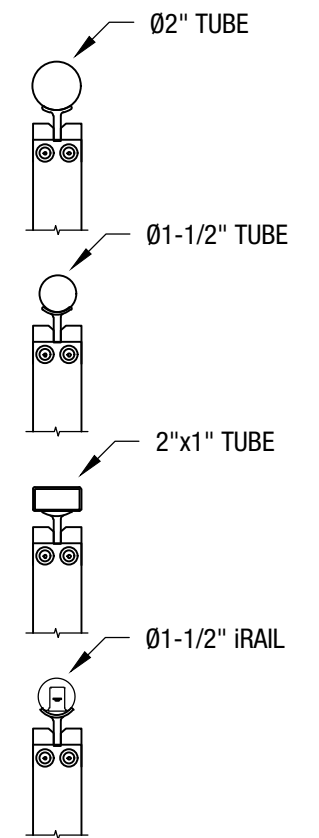
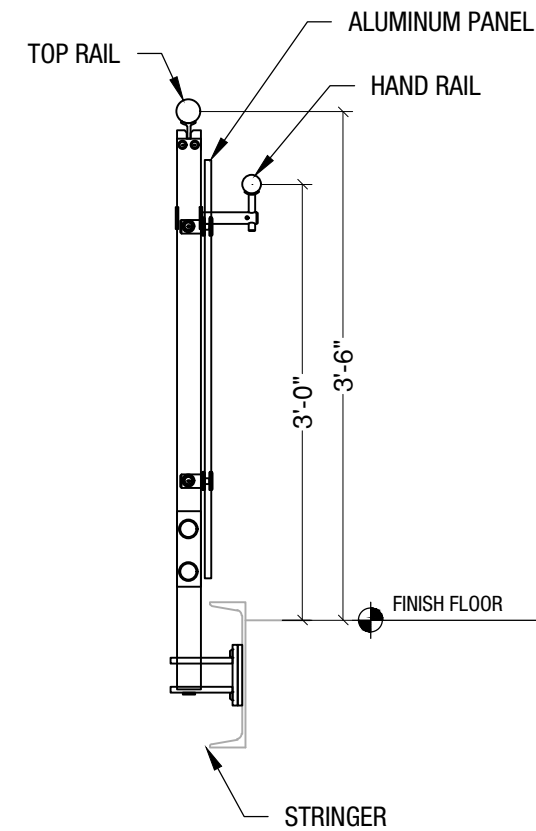
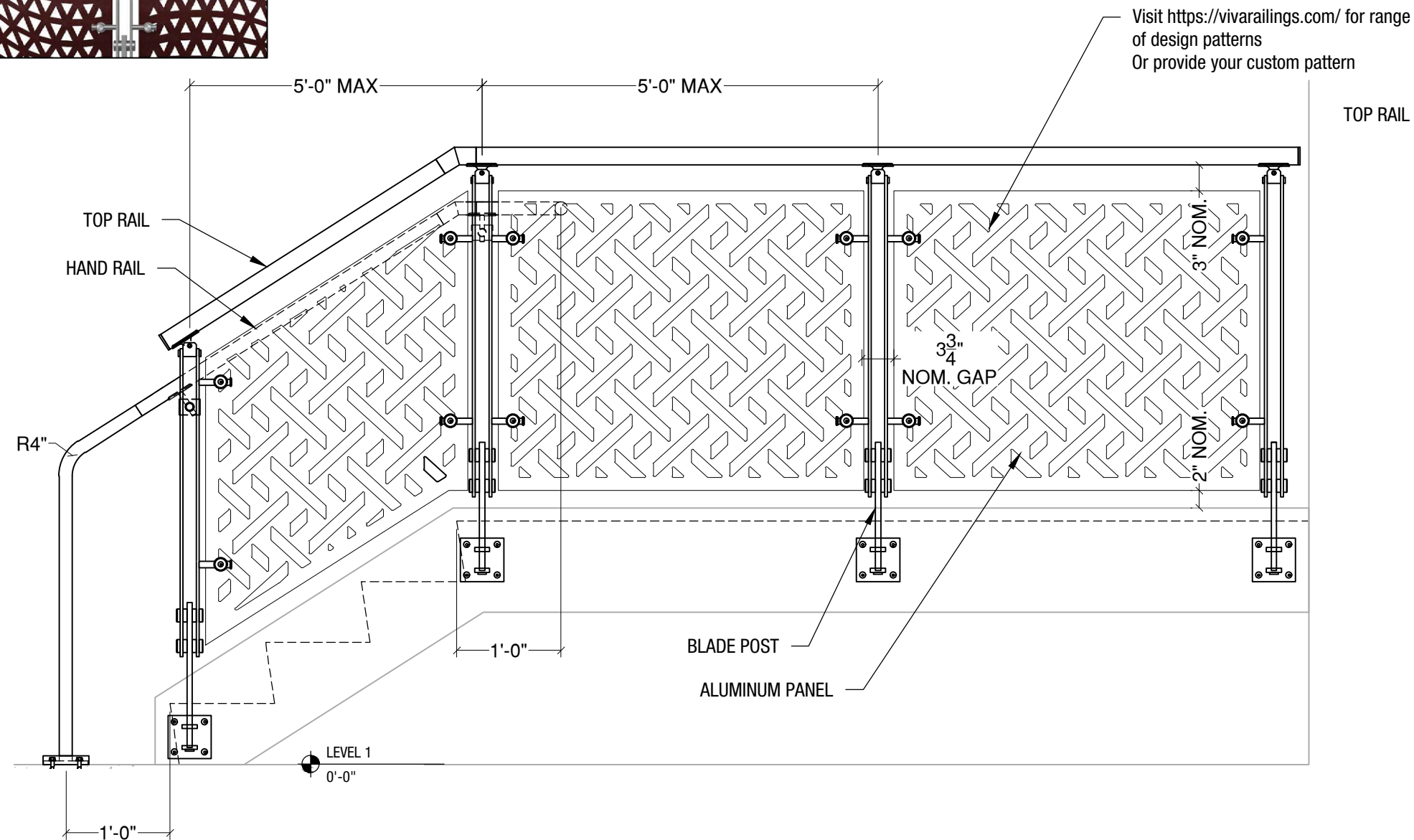
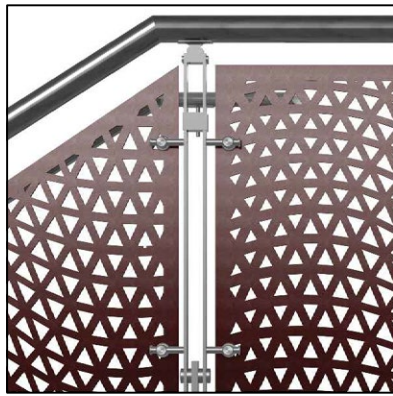


## TOP RAIL OPTIONS

VIVA RAILINGS IS NOT RESPONSIBLE FOR THE STRUCTURAL INTEGRITY OF ANY BUILDING SYSTEMS OR OTHER MATERIALS NOT FURNISHED BY VIVA RAILINGS. VIVA RAILINGS HAS NO WAY OF KNOWING AND SPECIFICALLY DISCLAIMS WHETHER OR NOT THE BUILDING SYSTEMS TO WHICH VIVA RAILINGS' PRODUCTS ARE TO BE ATTACHED ARE STRUCTURALLY SOUND OR DESIGNED TO PROPERLY SUPPORT VIVA RAILINGS'S MATERIALS. ANY SUCH DESIGN RESPONSIBILITY BELONGS TO OTHERS FOR WHOM VIVA RAILINGS IS NOT RESPONSIBLE. THESE DRAWINGS ARE INTENDED FOR THE SOLE USE OF VIVA RAILINGS' CUSTOMER AND THEIR AGENTS FOR THE INSTALLATION OF PRODUCTS FURNISHED BY VIVA RAILINGS. VIVA RAILINGS REMAINS THE SOLE OWNER OF ALL DESIGNS AND INTELLECTUAL PROPERTY CONTAINED WITHIN. REPRODUCTION AND USE OF THESE DESIGNS FOR ANY OTHER PURPOSE IS FORBIDDEN. SCALES ARE PROVIDED FOR REFERENCE ONLY. FOR PRODUCT INFORMATION AND TECHNICAL SUPPORT, PLEASE CONTACT VIVA RAILINGS.



# BLADE RAILING SYSTEM LASER CUT INFILL



TOP RAIL OPTIONS

VIVA RAILINGS IS NOT RESPONSIBLE FOR THE STRUCTURAL INTEGRITY OF ANY BUILDING SYSTEMS OR OTHER MATERIALS NOT FURNISHED BY VIVA RAILINGS. VIVA RAILINGS HAS NO WAY OF KNOWING AND SPECIFICALLY DISCLAIMS WHETHER OR NOT THE BUILDING SYSTEMS TO WHICH VIVA RAILINGS' PRODUCTS ARE TO BE ATTACHED ARE STRUCTURALLY SOUND OR DESIGNED TO PROPERLY SUPPORT VIVA RAILINGS'S MATERIALS. ANY SUCH DESIGN RESPONSIBILITY BELONGS TO OTHERS FOR WHOM VIVA RAILINGS IS NOT RESPONSIBLE. THESE DRAWINGS ARE INTENDED FOR THE SOLE USE OF VIVA RAILINGS' CUSTOMER AND THEIR AGENTS FOR THE INSTALLATION OF PRODUCTS FURNISHED BY VIVA RAILINGS. VIVA RAILINGS REMAINS THE SOLE OWNER OF ALL DESIGNS AND INTELLECTUAL PROPERTY CONTAINED WITHIN. REPRODUCTION AND USE OF THESE DESIGNS FOR ANY OTHER PURPOSE IS FORBIDDEN. SCALES ARE PROVIDED FOR REFERENCE ONLY. FOR PRODUCT INFORMATION AND TECHNICAL SUPPORT, PLEASE CONTACT VIVA RAILINGS.

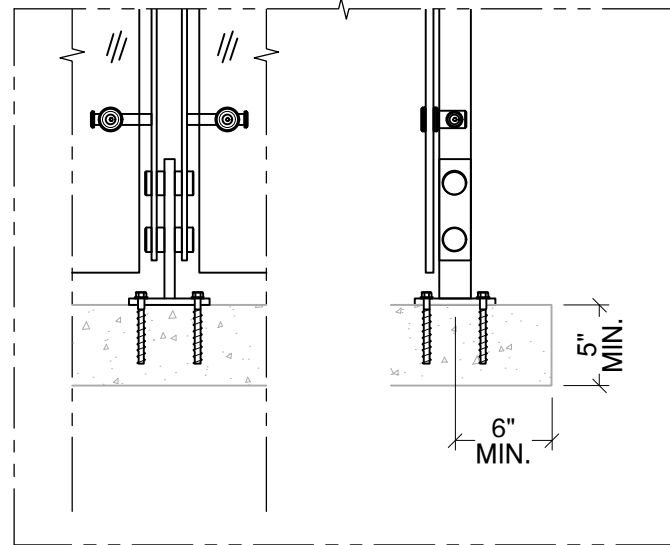


# BLADE PERF METAL RAILING SYSTEM



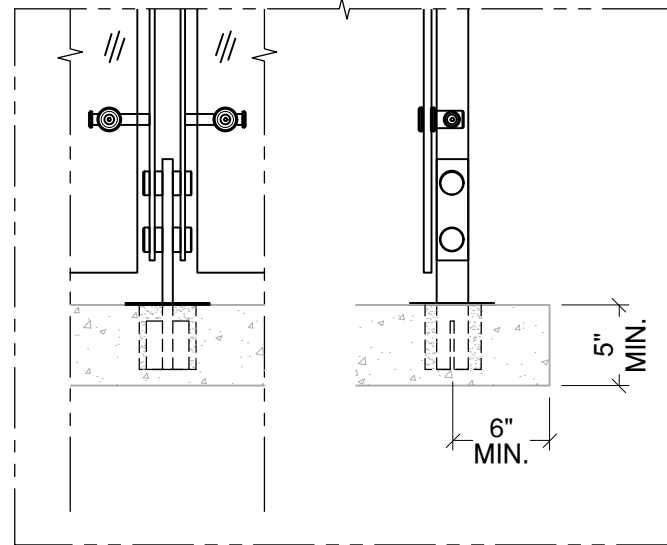
# BLADE RAILING SYSTEM

## MOUNTING CONDITION, TOP MOUNTED POST



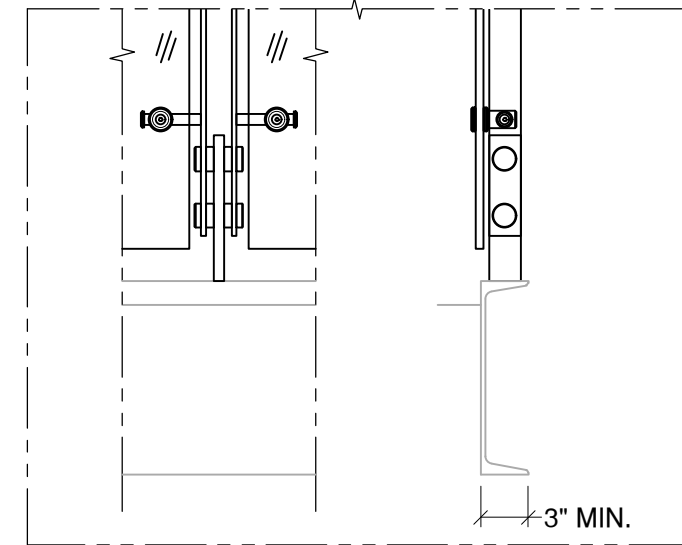
Anchored to Concrete <sup>1</sup> - \$ <sup>2</sup>

Detail# BL-T01 <sup>3</sup>



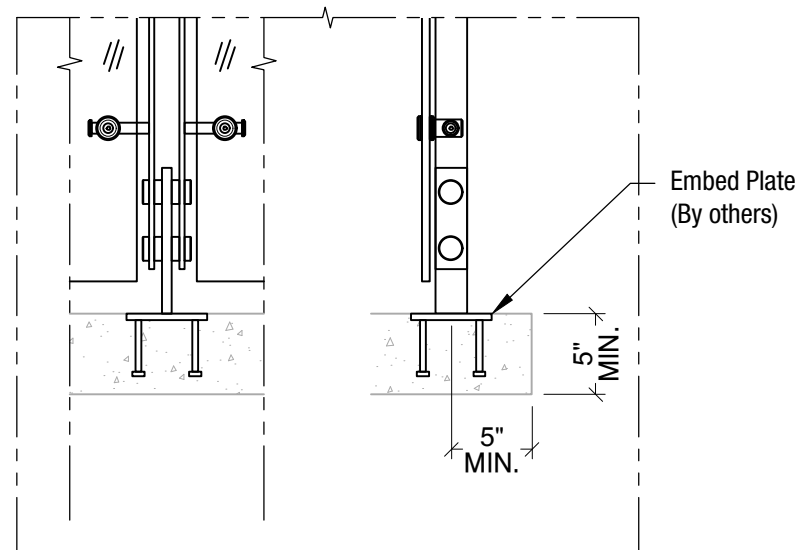
Cored into Concrete - \$\$

Detail# BL-T02



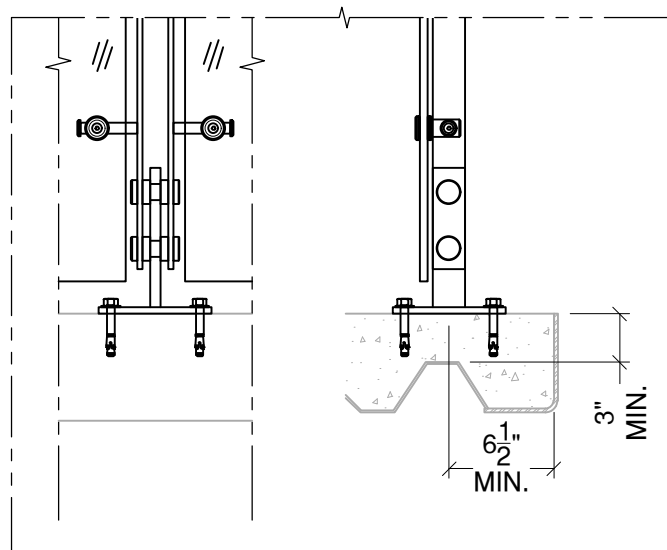
Welded @ Steel Channel - \$

Detail# BL-T03



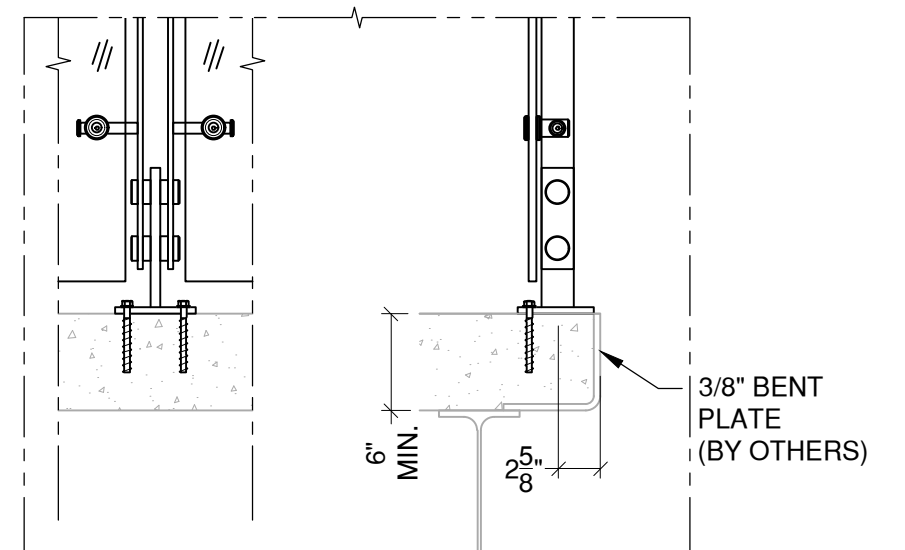
Welded @ Embed Plate - \$

Detail# BL-T04



Anchored to Concrete Slab on Deck - \$\$

Detail# BL-T05



Anchored to Concrete  
Welded to Steel Plate - \$

Detail# BL-T06

(1) Min. 4000 PSI concrete, Typ.

(2) \$ to \$\$\$: Indicates mounting type comparative cost

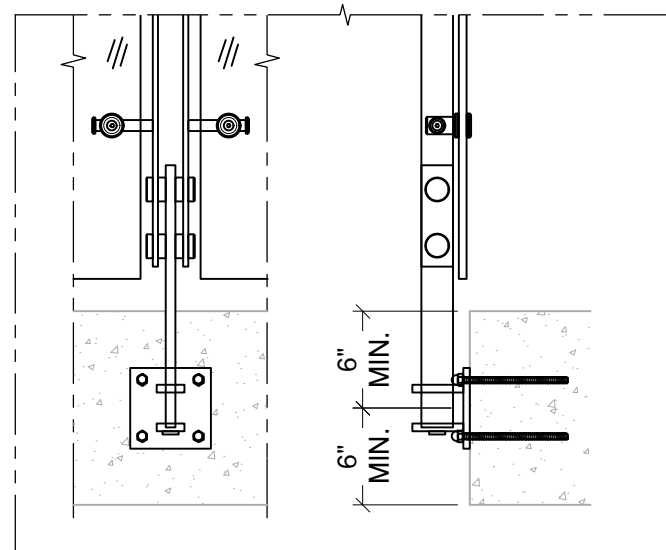
(3) Bolting is not a available option for top mount with cable infill

VIVA RAILINGS IS NOT RESPONSIBLE FOR THE STRUCTURAL INTEGRITY OF ANY BUILDING SYSTEMS OR OTHER MATERIALS NOT FURNISHED BY VIVA RAILINGS. VIVA RAILINGS HAS NO WAY OF KNOWING AND SPECIFICALLY DISCLAIMS WHETHER OR NOT THE BUILDING SYSTEMS TO WHICH VIVA RAILINGS' PRODUCTS ARE TO BE ATTACHED ARE STRUCTURALLY SOUND OR DESIGNED TO PROPERLY SUPPORT VIVA RAILINGS'S MATERIALS. ANY SUCH DESIGN RESPONSIBILITY BELONGS TO OTHERS FOR WHOM VIVA RAILINGS IS NOT RESPONSIBLE. THESE DRAWINGS ARE INTENDED FOR THE SOLE USE OF VIVA RAILINGS' CUSTOMER AND THEIR AGENTS FOR THE INSTALLATION OF PRODUCTS FURNISHED BY VIVA RAILINGS. VIVA RAILINGS REMAINS THE SOLE OWNER OF ALL DESIGNS AND INTELLECTUAL PROPERTY CONTAINED WITHIN. REPRODUCTION AND USE OF THESE DESIGNS FOR ANY OTHER PURPOSE IS FORBIDDEN. SCALES ARE PROVIDED FOR REFERENCE ONLY. FOR PRODUCT INFORMATION AND TECHNICAL SUPPORT, PLEASE CONTACT VIVA RAILINGS.



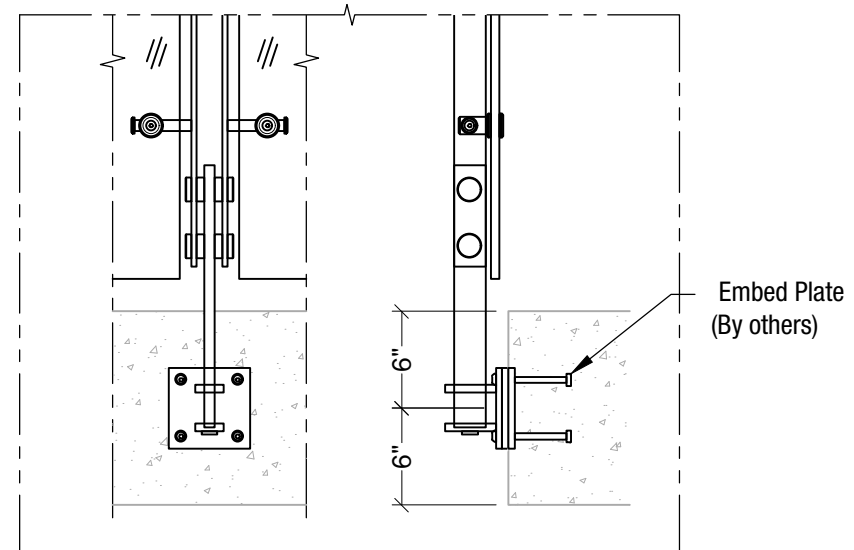
# BLADE RAILING SYSTEM

## MOUNTING CONDITION, FASCIA MOUNTED POST



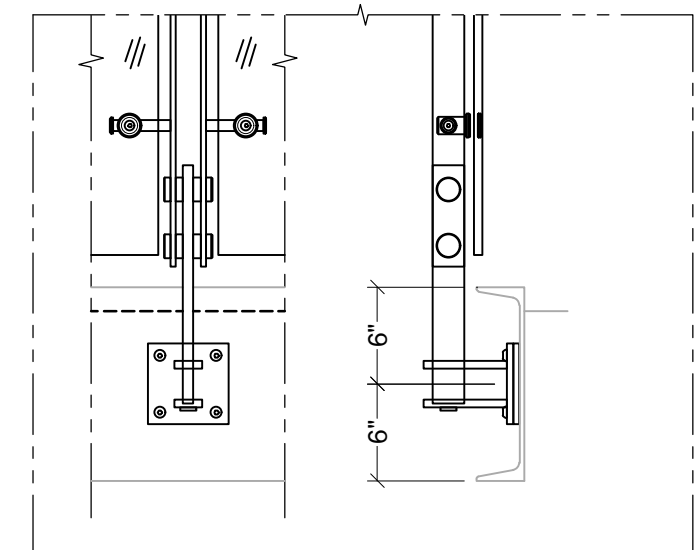
Anchored to Concrete <sup>1</sup> - \$\$\$

Detail# BL-F01



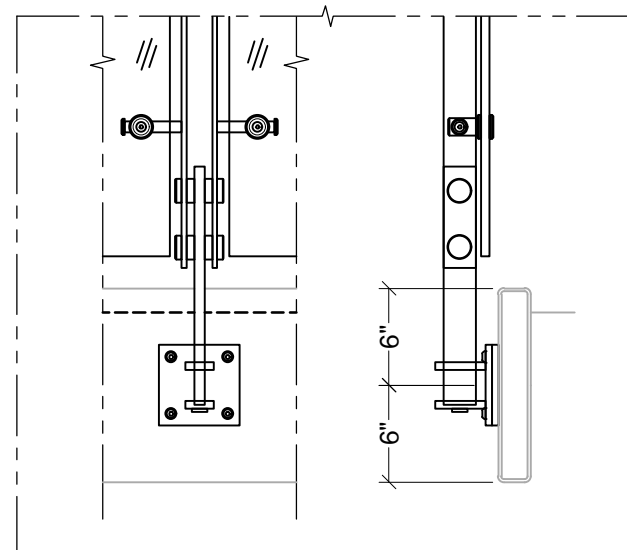
Welded @ Embed Plate - \$\$

Detail# BL-F02



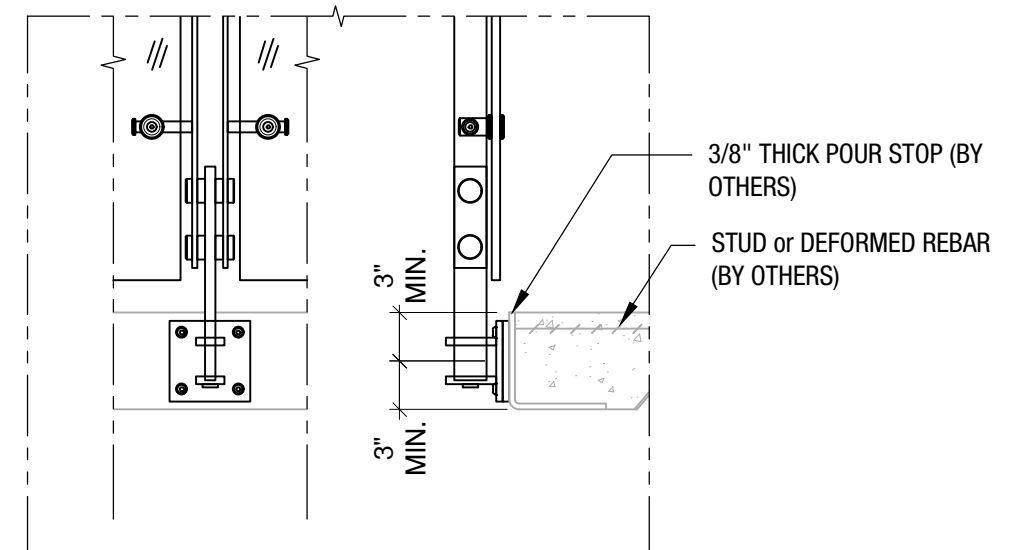
Welded @ Steel Channel - \$\$

Detail# BL-F03



Welded @ Steel Tube - \$\$

Detail# BL-F04



Welded @ Pour Stop - \$\$

Detail# BL-F05

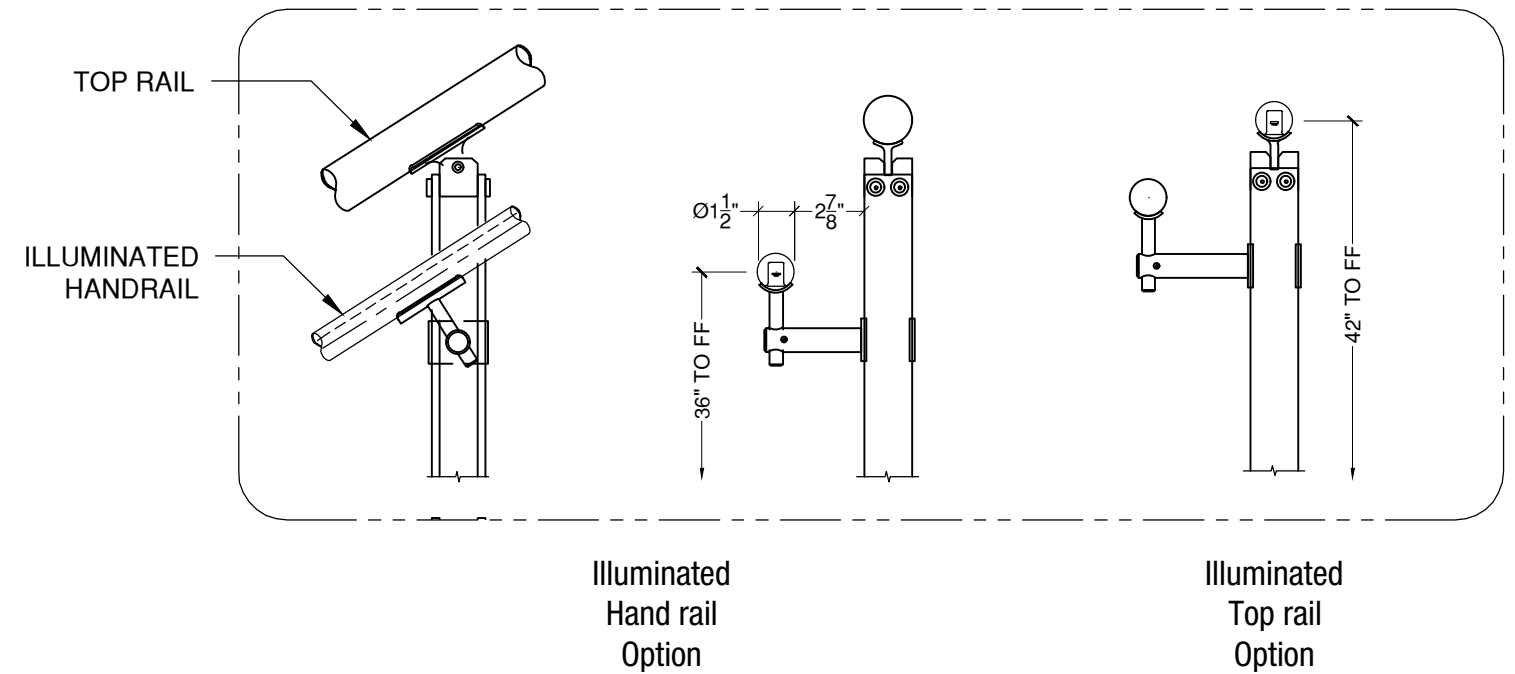
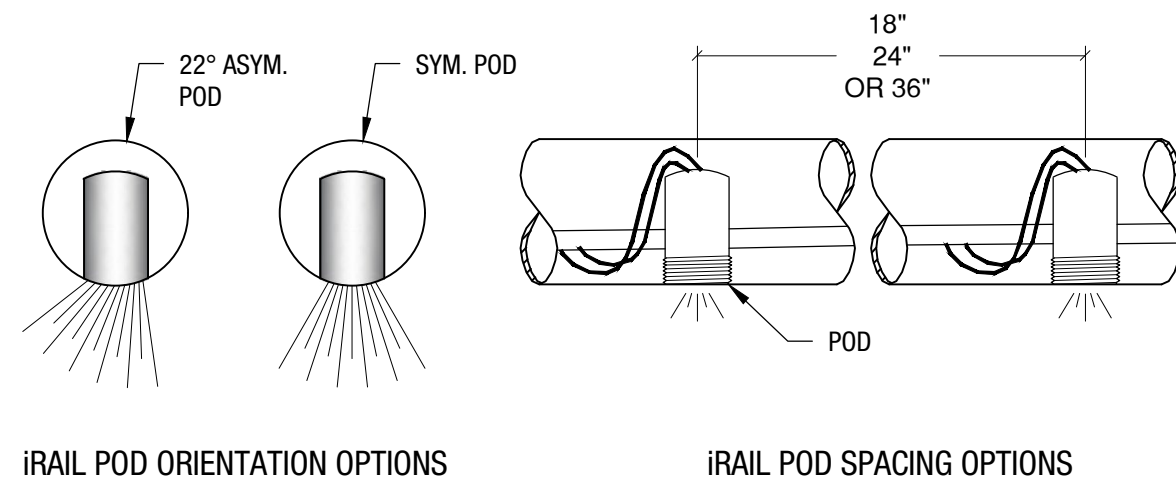
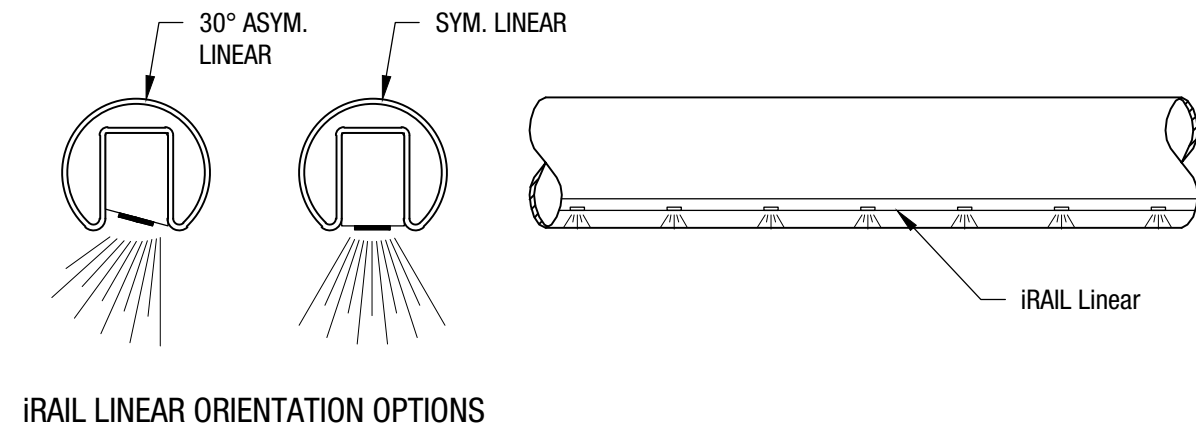
(1) Min. 4000 PSI concrete, Typ.

VIVA RAILINGS IS NOT RESPONSIBLE FOR THE STRUCTURAL INTEGRITY OF ANY BUILDING SYSTEMS OR OTHER MATERIALS NOT FURNISHED BY VIVA RAILINGS. VIVA RAILINGS HAS NO WAY OF KNOWING AND SPECIFICALLY DISCLAIMS WHETHER OR NOT THE BUILDING SYSTEMS TO WHICH VIVA RAILINGS' PRODUCTS ARE TO BE ATTACHED ARE STRUCTURALLY SOUND OR DESIGNED TO PROPERLY SUPPORT VIVA RAILINGS'S MATERIALS. ANY SUCH DESIGN RESPONSIBILITY BELONGS TO OTHERS FOR WHOM VIVA RAILINGS IS NOT RESPONSIBLE. THESE DRAWINGS ARE INTENDED FOR THE SOLE USE OF VIVA RAILINGS' CUSTOMER AND THEIR AGENTS FOR THE INSTALLATION OF PRODUCTS FURNISHED BY VIVA RAILINGS. VIVA RAILINGS REMAINS THE SOLE OWNER OF ALL DESIGNS AND INTELLECTUAL PROPERTY CONTAINED WITHIN. REPRODUCTION AND USE OF THESE DESIGNS FOR ANY OTHER PURPOSE IS FORBIDDEN. SCALES ARE PROVIDED FOR REFERENCE ONLY. FOR PRODUCT INFORMATION AND TECHNICAL SUPPORT, PLEASE CONTACT VIVA RAILINGS.



# BLADE RAILING SYSTEM

## ILLUMINATED RAILING



iRAIL LIGHTED RAILING SYSTEM



# BLADE RAILING SYSTEM

## FINISHING OPTIONS

### #6 Satin



### CeraShield\* Ceramic Coating



### Powder Coat



Enhanced durability and superior protection.  
Available in a wide range of colors.  
(Replaces traditional powder coat finish options.)

\*VIVA Railings now proudly offers CeraShield Ceramic Coating (powered by CERAKOTE Technology) as our premium finishing option, providing enhanced durability and superior protection for interior and exterior applications. While CeraShield offers unparalleled advantages in hardness, corrosion resistance, UV stability, and chemical resistance, we will continue to offer standard Powder Coat finishes to meet a variety of aesthetic preferences.

Powder coating is an environmentally-friendly option because it doesn't rely on solvents or chemical carriers. Instead, an electrostatic charge holds the paint to the steel, thus eliminating VOC emissions which will help in regards to LEED requirements. In addition, it meets AAMA specifications. Powder coating is durable and scratch resistant so it weathers and retains its original hue better than conventional liquid coatings.\*



[POWDER COAT FINISHING OPTIONS](#)

[CERASHIELD FINISHING OPTIONS](#)

The digital swatches of our powder coat colors may not accurately represent the actual real-life samples. Factors such as monitor settings, lighting conditions, and individual perception can affect the colors you see on your screen. We suggest using the swatches as a general reference for color, shade, and hue, rather than expecting an exact match. For the most precise color selection, we recommend requesting physical samples or visiting our office in Lewisville, TX to evaluate the powder coat colors in person.

Please note that while we offer a diverse range of standard powder coat colors to complement our products, any selections outside of these standard options may incur additional costs. We encourage you to consult with our specialists to explore all available options and make the best decision for your project needs.



# BLADE PERF METAL RAILING SYSTEM HEB ISD CAREER CENTER

H.E.B. ISD CAREER TRAINING CENTER - BEDFORD, TX  
General Contractor: Lee Lewis Construction  
Architect: Huckabee, Inc.



# BLADE PERF METAL RAILING SYSTEM JM FAMILY HEADQUARTERS

JM FAMILY HEADQUARTERS - DEERFIELD BEACH, FL  
General Contractor: Kaufman Lynn Construction  
Architect: PGAL Architects



# BLADE GLASS RAILING SYSTEM OFFICES AT KIMBALL PARK

OFFICES AT KIMBALL PARK - SOUTHLAKE, TX  
General Contractor: Links Construction



# BLADE GLASS RAILING SYSTEM THE TERRACES AT SOLANA

THE TERRACES AT SOLANA - WESTLAKE, TX  
General Contractor: Scott + Reid General Contractors





**DESIGN + ENGINEER + FABRICATE + INSTALL**

**151 W. Vista Ridge Mall Dr. Lewisville, TX 75067**

(Dallas/Fort Worth Metroplex)

PH: 972.353.8482 | [info@vivarailings.com](mailto:info@vivarailings.com)  
[vivarailings.com](http://vivarailings.com)



Inc. Magazine 500 | 5000  
VIVA RAILINGS, LLC.  
Among The Fastest Growing  
US Companies  
Eight Years in a Row  
**2012-2019**



Inc. Magazine 500 | 5000  
VIVA RAILINGS, LLC.  
Among The Fastest Growing  
Texas Companies  
**#211**



ICC-ES 4405 Certified  
**SHOE™**  
Structural Glass Railing System



LEED  
Material & Resources Credits 4.1 and 4.2



The American Institute of Architects



The California Contractors State License  
Board Certified